

# Application Note

## Random Pulse Width Modulation for Three-Phase Inverter Applications

### AN-CM-257

#### Abstract

*Conventional Pulse Width Modulation (PWM) methods for driving three phase inverters have been found to produce some undesirable effects in industrial applications like the production of acoustic noise, radio interference, and mechanical vibration. Traditionally, these problems are solved by employing separate filters that can filter out the predetermined harmonic content and mitigate electromagnetic interference. In such applications, Random Pulse Width Modulation (RPWM) has been found much more effective than traditional methods as it inherently spreads the harmonic content over a wide range hence reducing the unwanted effects in three phase inverter fed systems. This application note provides details of RPWM signal generation for driving three phase inverters using the SLG46620 GreenPAK IC.*

*This application note comes complete with design files which can be found in the References section.*

---

---

## Random Pulse Width Modulation for Three-Phase Inverter Applications

### Contents

<b>Abstract</b> .....	<b>1</b>
<b>Contents</b> .....	<b>2</b>
<b>Figures</b> .....	<b>2</b>
<b>1 Terms and Definitions</b> .....	<b>3</b>
<b>2 References</b> .....	<b>3</b>
<b>3 Introduction</b> .....	<b>4</b>
<b>4 Proposed RPWM Scheme</b> .....	<b>5</b>
4.1 Selection of Reference Value .....	6
<b>5 GreenPAK Design</b> .....	<b>7</b>
<b>6 Experimental Results</b> .....	<b>9</b>
<b>7 Conclusions</b> .....	<b>11</b>
<b>Revision History</b> .....	<b>13</b>

### Figures

Figure 1: Block Diagram of the Proposed Scheme .....	5
Figure 2: Simulated Signal Waveforms at Several Stages in the RPWM Scheme .....	6
Figure 3: Simulated Output Phase-Phase Voltage Waveforms .....	6
Figure 4: Variation in Frequency Spectrum with Change in Reference Value .....	7
Figure 5: Role of SLG46620 in the RPWM Scheme .....	7
Figure 6: Design Matrix 0 .....	8
Figure 7: Design Matrix 1 .....	8
Figure 8: Prototype Hardware .....	10
Figure 9: Magnified Phase-Phase Output Voltage Waveform .....	10
Figure 10: V <sub>ab</sub> , V <sub>ac</sub> and FFT for Reference Value 0.8 .....	10
Figure 11: V <sub>ab</sub> , V <sub>ac</sub> and FFT for Reference Value 0.5 .....	11

## Random Pulse Width Modulation for Three-Phase Inverter Applications

### 1 Terms and Definitions

DSP	Digital Signal Processor
EMI	Electromagnetic Interference
FPGA	Field Programmable Gate Array
IC	Integrated Circuit
LFSR	Linear Feedback shift register
PRBS	Pseudo Random Bit Sequence
PWM	Pulse Width Modulation
RPWM	Random Pulse Width Modulation
THD	Total Harmonic Distortion

### 2 References

For related documents and software, please visit:

<https://www.dialog-semiconductor.com/products/greenpak>.

Download our free **GreenPAK™** Designer software [1] to open the .gp files [2] and view the proposed circuit design. Use the **GreenPAK** development tools [3] to freeze the design into your own customized IC in a matter of minutes. Renesas Electronics provides a complete library of application notes [4] featuring design examples as well as explanations of features and blocks within the IC.

- [1] [GreenPAK Designer Software](#), Software Download and User Guide, Renesas Electronics
- [2] [AN-CM-257 Random Pulse Width Modulation for Three-Phase Inverter Applications.gp](#), [GreenPAK Design File](#), Renesas Electronics
- [3] [GreenPAK Development Tools](#), [GreenPAK Development Tools Webpage](#), Renesas Electronics
- [4] [GreenPAK Application Notes](#), [GreenPAK Application Notes Webpage](#), Renesas Electronics
- [5] SLG46620 Datasheet, Datasheet, Renesas Electronics
- [6] Bhattacharya, Subhadeep, et al. "A discrete random PWM technique for acoustic noise reduction in electric traction drives." Energy Conversion Congress and Exposition (ECCE), 2015 IEEE. IEEE, 2015
- [7] Capitaneanu, Stefan Laurentiu, et al. "On the acoustic noise radiated by PWM AC motor drives." *Automatika* 44.3-4 (2003): 137-145
- [8] Boudouda, A., et al. "Optimized RPWM technique for a Variable Speed Drive using induction motor." *Electromagnetic Compatibility (EMC EUROPE)*, 2012 International Symposium on. IEEE, 2012
- [9] Trzynadlowski, Andrzej M., et al. "Mitigation of electromagnetic interference and acoustic noise in vehicular drives by random pulse width modulation." *Power Electronics in Transportation*, 2004. IEEE, 2004
- [10] Lai, Yen-Shin, and Bo-Yuan Chen. "New random PWM technique for a full-bridge DC/DC converter with harmonics intensity reduction and considering efficiency." *IEEE Transactions on Power Electronics* 28.11 (2013): 5013-5023
- [11] Bech, Michael M., Frede Blaabjerg, and John K. Pedersen. "Random modulation techniques with fixed switching frequency for three-phase power converters." *IEEE Transactions on power electronics* 15.4 (2000): 753-761

---

## Random Pulse Width Modulation for Three-Phase Inverter Applications

---

### 3 Introduction

In power electronics, several Pulse Width Modulation (PWM) schemes have been successfully employed depending on the particular application. Most of the conventional PWM schemes, being deterministic in nature, produce a predetermined harmonic content. This can create a number of issues in real-world applications like the production of acoustic noise, radio interference, and mechanical vibration [2-5]. In applications where interference with the environment and other equipment need to be mitigated, for example in industrial motor drives, traction drives, electric vehicles, the conventional PWM schemes inherently do not perform efficiently and additional equipment like electromagnetic interference (EMI) filters need to be added [6]. One available option to cope with issues resulting in these applications is to increase the switching frequency of the conventional PWM schemes i.e. >18kHz [7]. However, this causes the switching losses to increase significantly. In such applications random pulse width modulation (RPWM) has been found to be effective to mitigate the cited issues without the need of considerably increasing the switching frequency.

In RPWM the width of each switching pulse varies stochastically. This causes the harmonics cluster to spread over a large range thus reducing the size of separate filters or entirely avoiding the use of filters in certain applications. RPWM technique has successfully been utilized in many power electronics applications e.g. in industrial motor control drives where the acoustic noise needs to be checked.

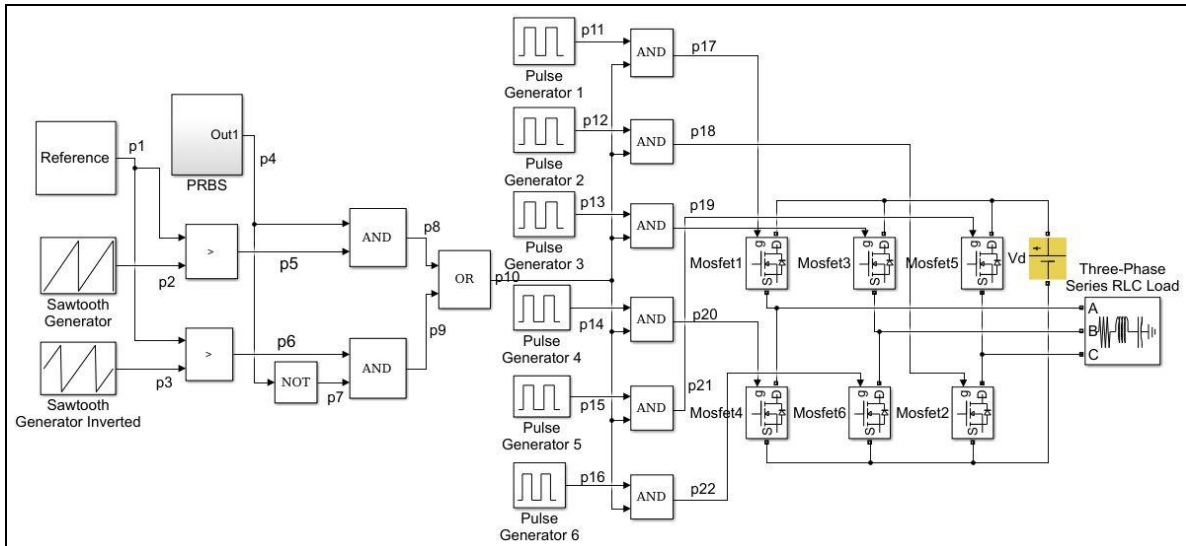
Usually, high-frequency PWM and RPWM signals for commercial sophisticated systems are implemented using Digital Signal Processors (DSP) and Field Programmable Gate Arrays (FPGA). However, these devices are more generic, powerful, and flexible which makes them quite expensive. Similar precision and high-frequency timing requirements needed for RPWM generation can be met with a low-cost [GreenPAK](#) IC. Many suitable RPWM schemes, especially for open-loop applications, can be implemented using Renesas ICs. Thus, the explicit programming or coding of embedded DSPs, MCUs or FPGAs is replaced by a simple interface provided in the [GreenPAK](#) designer. In addition, the size of the overall control circuit is considerably reduced.

There are several ways of producing the RPWM for three-phase inverter applications. In this application note, a suitable RPWM technique is presented that can be implemented using the available [GreenPAK](#) IC's resources. The RPWM technique is implemented using the dual matrix SLG46620 IC. Appropriate theoretical proposals and experimental results are also presented including the output voltage waveforms and their harmonic content that would justify the proposed strategy.

## Random Pulse Width Modulation for Three-Phase Inverter Applications

### 4 Proposed RPWM Scheme

The block diagram of the RPWM scheme driving a three-phase inverter is shown in the [Figure 1](#).

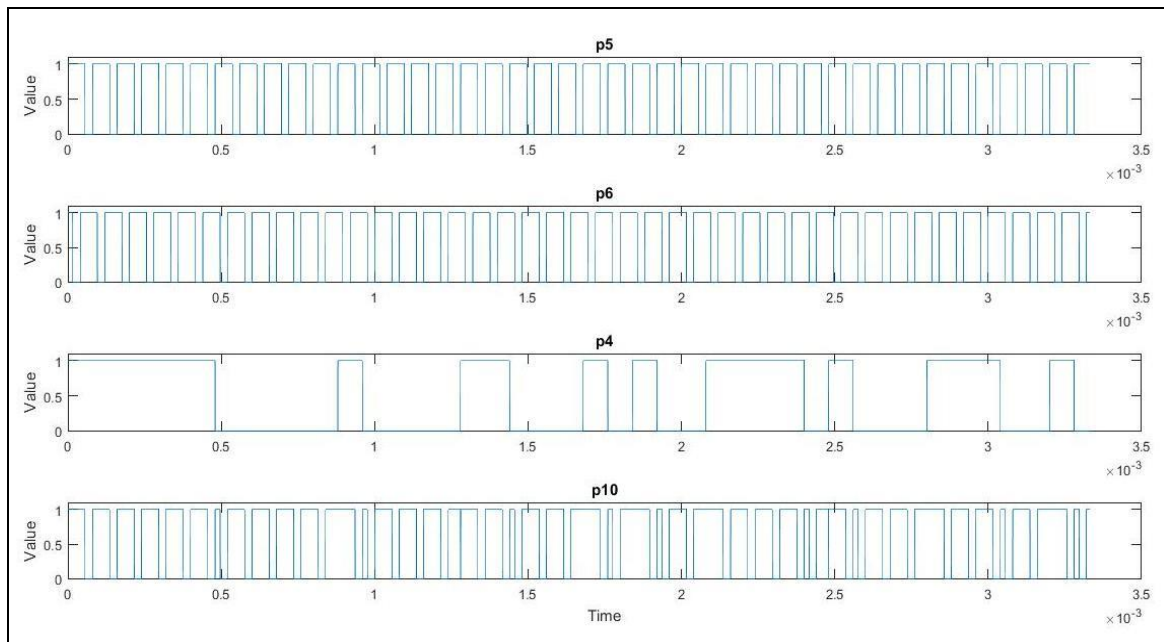


**Figure 1: Block Diagram of the Proposed Scheme**

Two saw-tooth signals, labeled as p2 and p3 (with values ranging: 0-1), 180 °C phase apart, are compared with a constant value p1 (with value ranging: 0-1) to give different type of pulses labeled as p5 and p6. The waveforms of these pulses (p5 and p6) are shown in [Figure 2](#) and [Figure 3](#). A binary pseudo-random number generator (labeled as p4) with the waveform shown in [Figure 4](#) is employed to randomly select a pulse out of the signals p5 and p6 using the logical operators as shown in the above block diagram. This generates a train of pulses p10, which is shown in [Figure 5](#). The signal p10 is passed through AND gates along with 10ms long pulses generated by pulse generators 1 through 6 and tagged as p11, p12, p13, p14, p15, and p16. Note that, the pulse generator output pulses have 60 °C phase difference relative to each other for a full 180 °C conduction mode. Finally, after AND operations, the signals p17, p18, p19, p20, p21, and p22 become the gate driving signals for the power switches employed in the power stage of the three phase inverter.

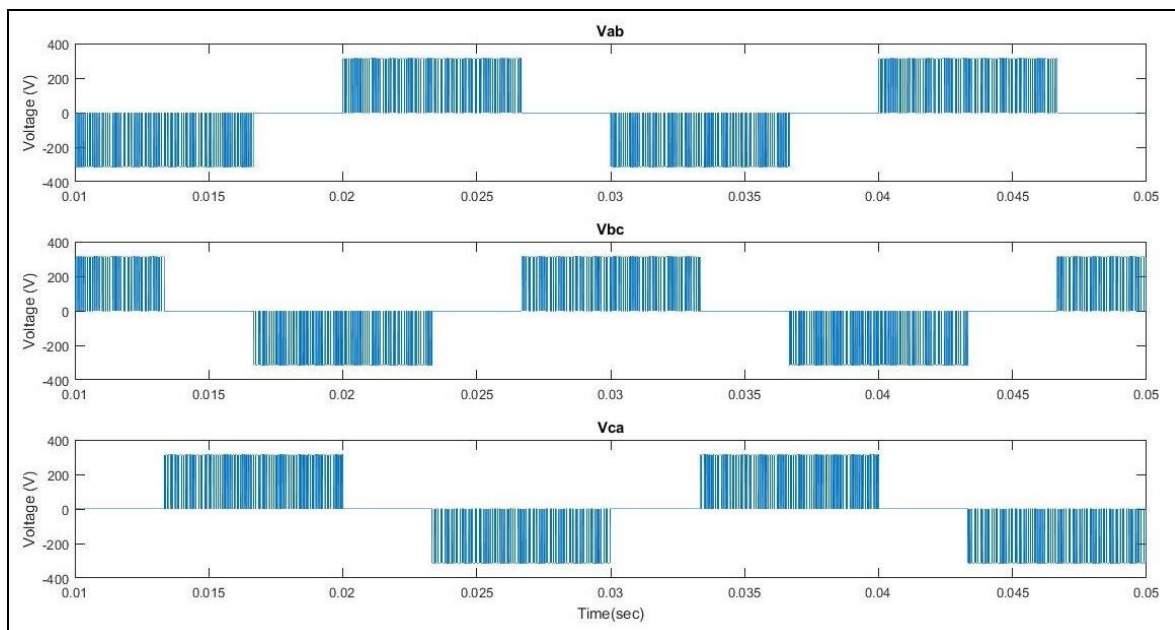
The switches (usually MOSFETs or IGBTs) are switched on and off according to the applied gate signals to obtain the three phase balanced voltage waveforms at the output of the inverter.

## Random Pulse Width Modulation for Three-Phase Inverter Applications



**Figure 2: Simulated Signal Waveforms at Several Stages in the RPWM Scheme**

A simulation is carried out in Matlab/Simulink environment for a 50 Hz (fundamental) RPWM three phase inverter system and the phase-phase output waveforms are shown in Figure 3. Effectively, the output voltage waveforms are modulated by the stochastic signal p10 and shifted from one another by 120 °C.



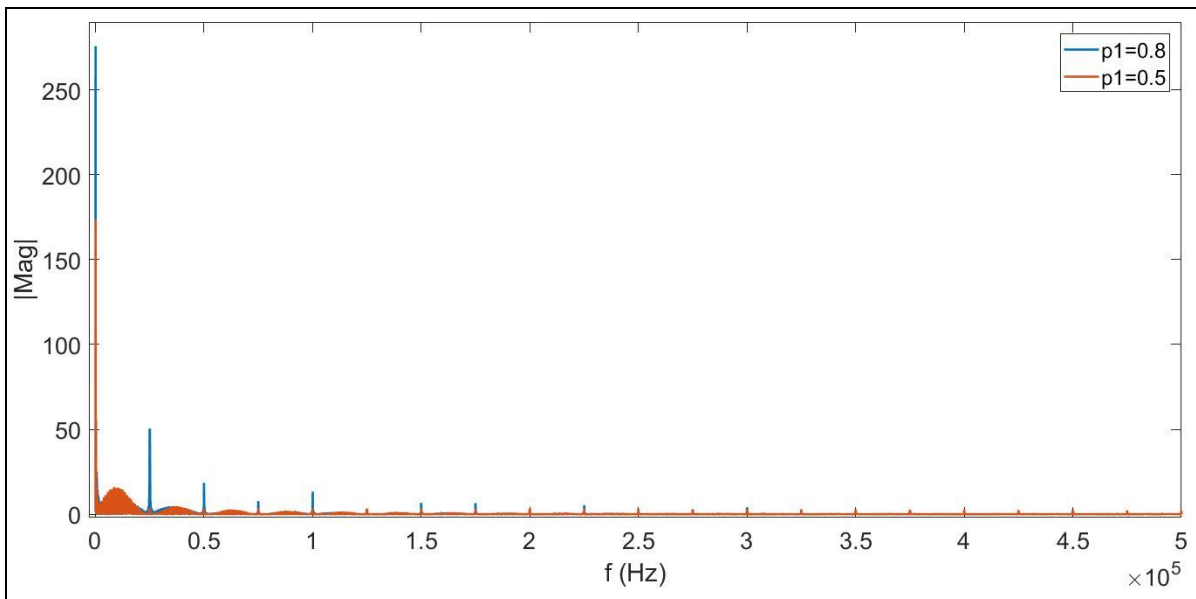
**Figure 3: Simulated Output Phase-Phase Voltage Waveforms**

### 4.1 Selection of Reference Value

The reference signal p1 provides a way to control the spectral content of inverter outputs for a particular application according to the subjective acoustic response. Variation of the reference from 1 to 0.5 flattens out the spectral content mitigating the spikes at the multiples of the switching frequency. However, it also reduces the magnitude of the fundamental component of the signal. Figure 4 illustrates how the spectral content of the output phase-phase voltage changes by

## Random Pulse Width Modulation for Three-Phase Inverter Applications

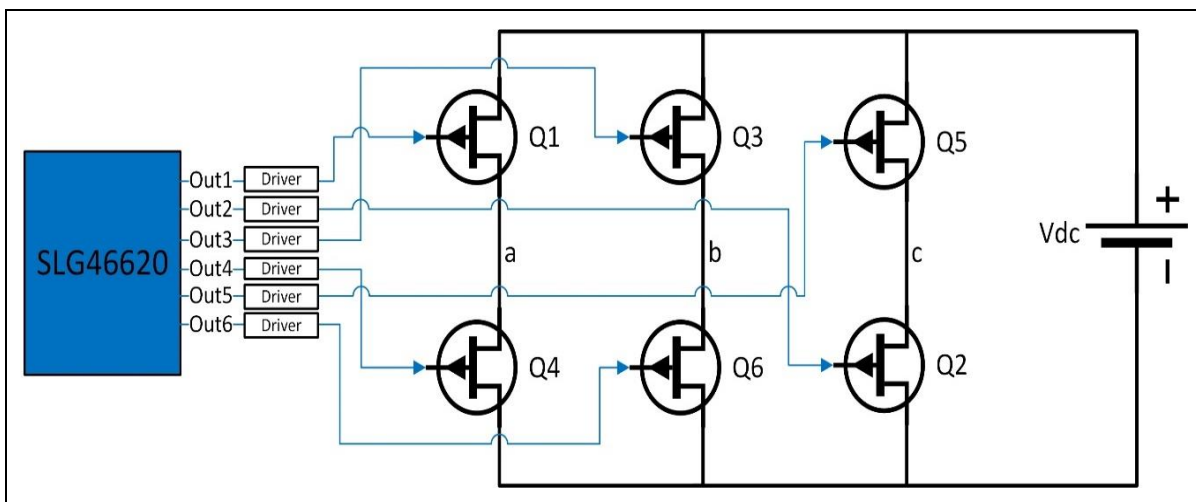
decreasing the reference value from  $p1=0.8$  to  $p1=0.5$ , for  $V_{dc} = 312$  V and carrier frequency = 12.5 kHz.



**Figure 4: Variation in Frequency Spectrum with Change in Reference Value**

Decreasing the value further from 0.5 is not recommended as it starts to increase the spikes at the multiples of the switching frequency and the fundamental component is also reduced.

## 5 GreenPAK Design



**Figure 5: Role of SLG46620 in the RPWM Scheme**

Figure 5 shows how the selected GreenPAK IC SLG46620 fits into the entire scheme. The basic operation of the IC is to generate the random pwm modulated signals that are applied at the gate terminals of the switching devices used in the inverter power stage.

## Random Pulse Width Modulation for Three-Phase Inverter Applications

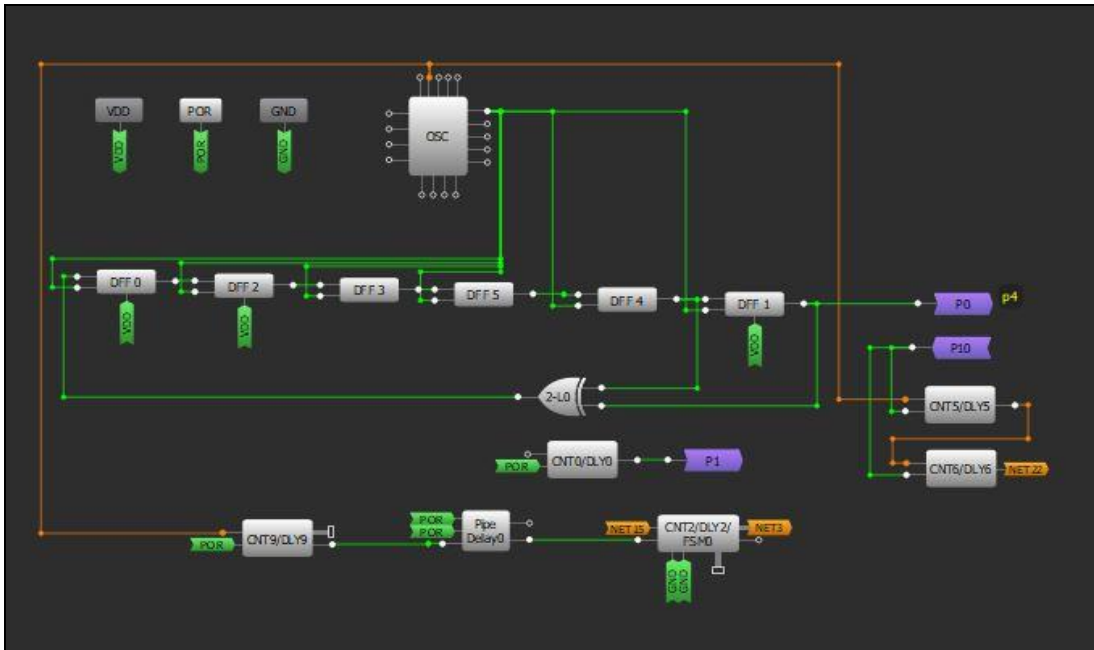


Figure 6: Design Matrix 0

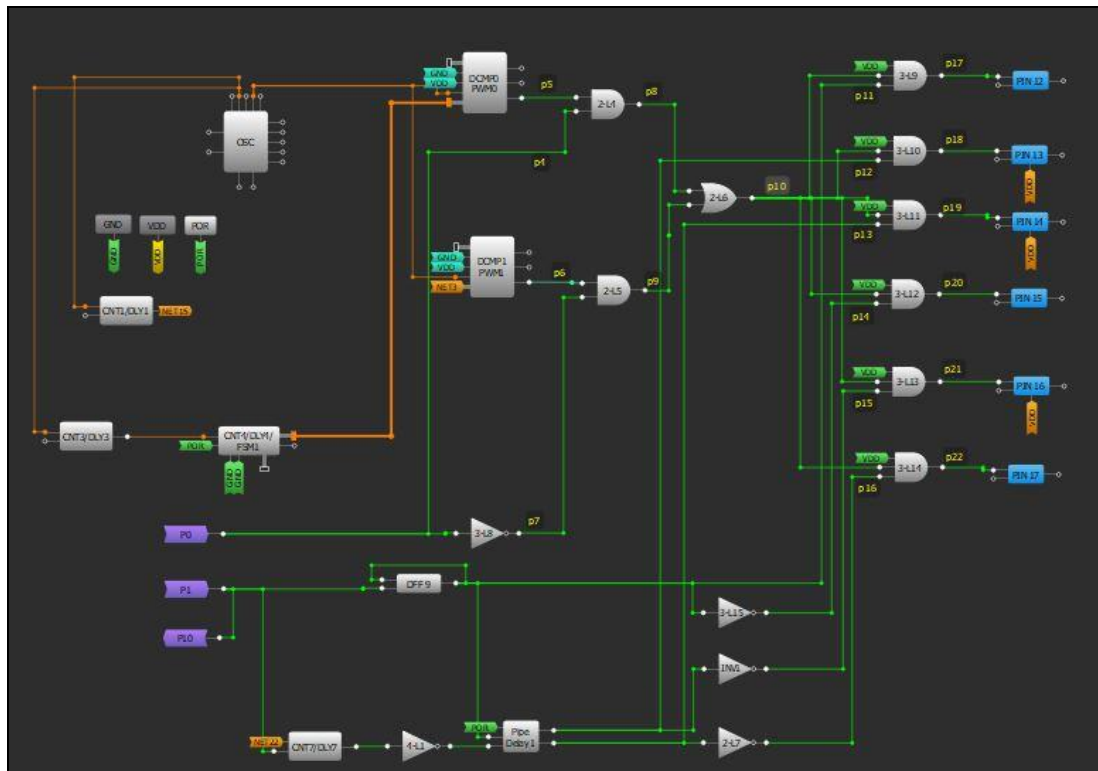


Figure 7: Design Matrix 1

The fundamental frequency of the inverter output voltage is chosen to be 50 Hz. SLG46220 is chosen because it provides sufficient resources to carry out the intended design. The Matrix 0 and 1 designs are shown in Figure 6 and Figure 7 respectively. In Matrix 0 a pseudo-random signal (PBRs) P0 is produced by connecting DFFs in a concatenated fashion and using a XOR gate in a feedback loop as shown in Figure 6. The DFFs are driven by a 12.5 kHz clock signal from OUT0 of the oscillator block.

For the saw-tooth carrier signal generation, the use of FSM blocks is proposed. Both FSM0 and FSM1, configured in set mode with UP=0, are fed by counters CNT1/DLY1 and CNT3/DLY3

## Random Pulse Width Modulation for Three-Phase Inverter Applications

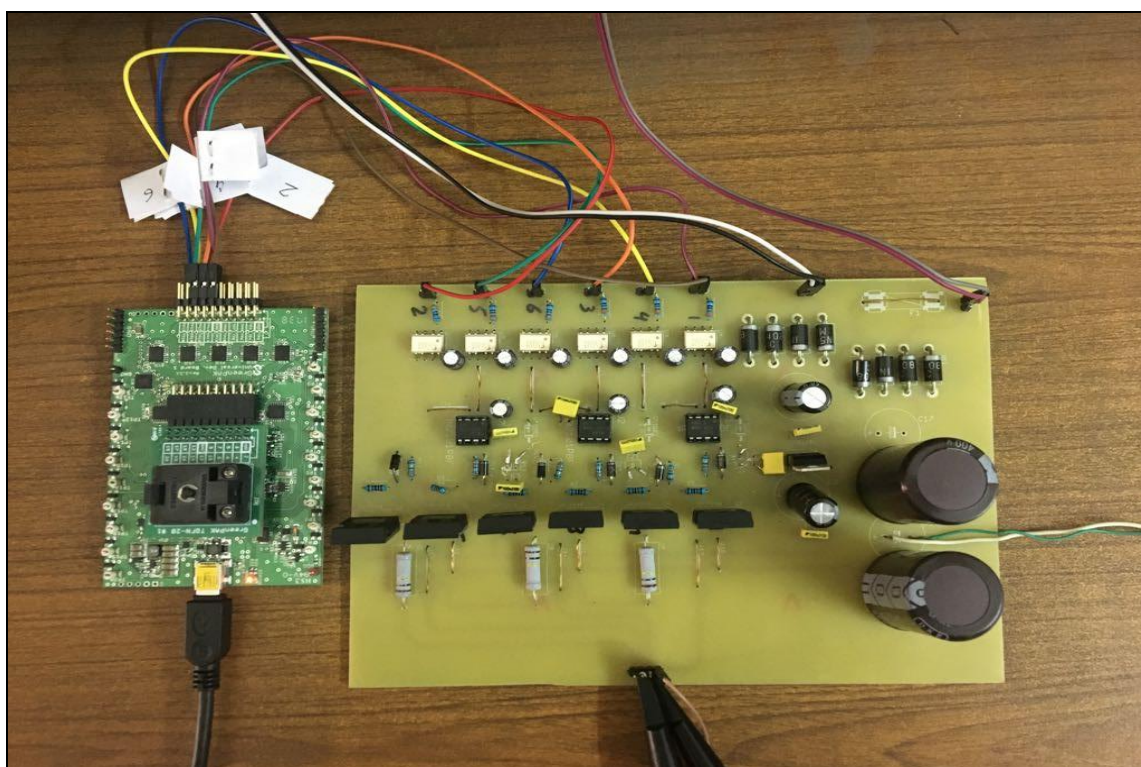
respectively that create pulses having a frequency of 1.6875 MHz. The counter value in both FSMs is set as 134 (output period 80  $\mu$ s) to achieve the desired 12.5 kHz discrete saw-tooth signal. To achieve 180 °C phase shift between the both saw-tooth signals FSM0 is enabled 40  $\mu$ s after FSM1 using a pipe delay fed by CNT9/DLY9.

The two saw-tooth carrier signals are fed to DCMP0 and DCMP1, via the Q byte output ports of FSM0 and FSM1, for comparison with a constant reference signal (configured inside the registers DCMP0 and DCMP1) as shown in [Figure 7](#). Since the counter runs up-to a value of 134 the reference value is given with respect to 134 e.g. 67 would be equivalent to the value of 0.5 (67/134). The outputs of the two DCMPs (p5 and p6) are further passed through to two AND gates along with the output signal from the LFSR (p4) and its inverted value (p7). An OR gate is fed with the output of these AND gates to randomly obtain one of the two outputs of the DCMPs. The output of the OR gate (p10) is further used to modulate the driving signals of the inverter.

The counter CNT0/DLY0 is configured to produce pulses with a 10 ms period in order to have output voltages of 50 Hz frequency (fundamental). These pulses are fed to a DFF configured in an inverting mode, with the output fed back to the input, to produce a 50 Hz square wave pulse train. To ensure that the output pulses labelled as p11 through p16 are 60 °C phase apart, the use of a pipe delay block is proposed. The counters CNT5/DLY5, CNT6/DLY6 and CNT7/DLY7 are cascaded to provide pulses with a period of 3.33 ms. These pulses are fed to a pipe delay through a not gate since the pipe delay creates delay by counting the number of input rising edges whereas the counters, get reset to 0 with the reset input, create coinciding falling edges with a period of 3.33 ms. Out 0 and 1 of the pipe delay provide 3.33 ms and 6.66 ms time delays respectively to the input pulse. The three signals i.e. input and the two delayed outputs of the pipe delay are further inverted to provide a total number of 6 pulses (p11-p16) that are 60° phase shifted to each other. These 50 Hz, 60 °C phase shifted pulses are further passed to AND gates along with the random pulse train (p10) to provide the final driving signals for the 3 phase inverter.

## 6 Experimental Results

A hardware prototype depicted in [Figure 8](#) was developed to experimentally validate the proposed RPWM scheme. To ensure that both switches in the same leg do not turn on at the same time a dead band was produced in hardware.



Random Pulse Width Modulation for Three-Phase Inverter Applications

Figure 8: Prototype Hardware

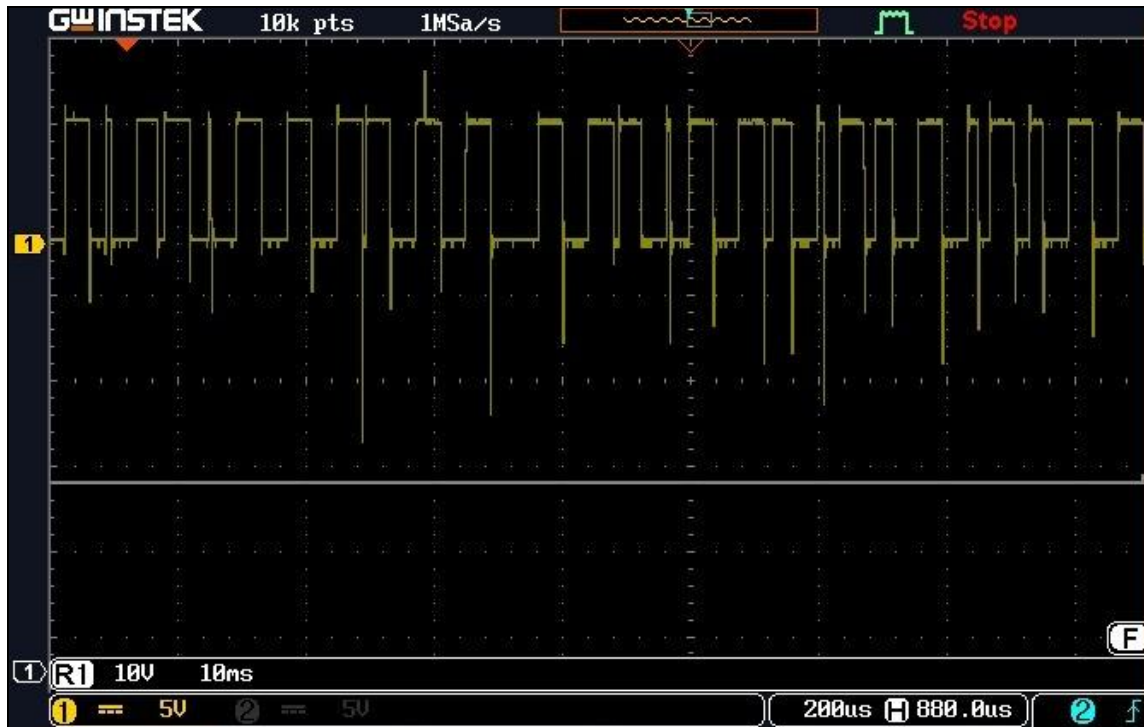


Figure 9: Magnified Phase-Phase Output Voltage Waveform



Figure 10:  $V_{ab}$ ,  $V_{ac}$  and FFT for Reference Value 0.8

## Random Pulse Width Modulation for Three-Phase Inverter Applications



Figure 11: Vab, Vac and FFT for Reference Value 0.5

Figure 9 shows the magnified waveform of the output phase-phase voltage. It is evident that the waveform is randomly modulated as desired.

In Figure 10 the output phase-phase voltage signals Vab (in yellow color) and Vac (in blue color) are shown. Moreover, the FFT plot of Vab (in red color) for reference value  $\approx 0.8$  (107/134) is also depicted. Though the spread in the frequency spectrum is evident, a spike at twice the switching frequency i.e. 25 kHz is observed as the theory suggests

Figure 11 depicts the output phase-phase voltage signals Vab (in yellow color) and Vac (in blue color) as well as the FFT plot of Vab (in red color) for reference value = 0.5 (67/134). It can be seen the spectrum gets flatter and significant spread is also achieved.

## 7 Conclusions

RPWM signals for three-phase inverters can be generated using different techniques and usually expensive DSPs and FPGAs are used in industrial applications to achieve the desired results. In this application note, a suitable RPWM generation technique for three-phase inverter applications using a low-cost Renesas SLG46620 GreenPAK IC has been outlined. Through appropriate simulations and experimental results, it has been established that the proposed technique is functional and SLG46620 IC provides sufficient resources to carry out the intended results.

---

---

**Random Pulse Width Modulation for Three-Phase  
Inverter Applications**

---

---

**Random Pulse Width Modulation for Three-Phase  
Inverter Applications****Revision History**

<b>Revision</b>	<b>Date</b>	<b>Description</b>
1.0	17-Oct-2018	Initial Version

## IMPORTANT NOTICE AND DISCLAIMER

RENESAS ELECTRONICS CORPORATION AND ITS SUBSIDIARIES (“RENESAS”) PROVIDES TECHNICAL SPECIFICATIONS AND RELIABILITY DATA (INCLUDING DATASHEETS), DESIGN RESOURCES (INCLUDING REFERENCE DESIGNS), APPLICATION OR OTHER DESIGN ADVICE, WEB TOOLS, SAFETY INFORMATION, AND OTHER RESOURCES “AS IS” AND WITH ALL FAULTS, AND DISCLAIMS ALL WARRANTIES, EXPRESS OR IMPLIED, INCLUDING, WITHOUT LIMITATION, ANY IMPLIED WARRANTIES OF MERCHANTABILITY, FITNESS FOR A PARTICULAR PURPOSE, OR NON-INFRINGEMENT OF THIRD-PARTY INTELLECTUAL PROPERTY RIGHTS.

These resources are intended for developers who are designing with Renesas products. You are solely responsible for (1) selecting the appropriate products for your application, (2) designing, validating, and testing your application, and (3) ensuring your application meets applicable standards, and any other safety, security, or other requirements. These resources are subject to change without notice. Renesas grants you permission to use these resources only to develop an application that uses Renesas products. Other reproduction or use of these resources is strictly prohibited. No license is granted to any other Renesas intellectual property or to any third-party intellectual property. Renesas disclaims responsibility for, and you will fully indemnify Renesas and its representatives against, any claims, damages, costs, losses, or liabilities arising from your use of these resources. Renesas' products are provided only subject to Renesas' Terms and Conditions of Sale or other applicable terms agreed to in writing. No use of any Renesas resources expands or otherwise alters any applicable warranties or warranty disclaimers for these products.

(Disclaimer Rev.1.01)

### Corporate Headquarters

TOYOSU FORESIA, 3-2-24 Toyosu,  
Koto-ku, Tokyo 135-0061, Japan  
[www.renesas.com](http://www.renesas.com)

### Trademarks

Renesas and the Renesas logo are trademarks of Renesas Electronics Corporation. All trademarks and registered trademarks are the property of their respective owners.

### Contact Information

For further information on a product, technology, the most up-to-date version of a document, or your nearest sales office, please visit [www.renesas.com/contact-us/](http://www.renesas.com/contact-us/).