

# SLG59H1006V

## A 22 V, 13.1 mΩ, 5 A Load Switch with $V_{IN}$ Lockout Select and MOSFET Current Monitor Output

### General Description

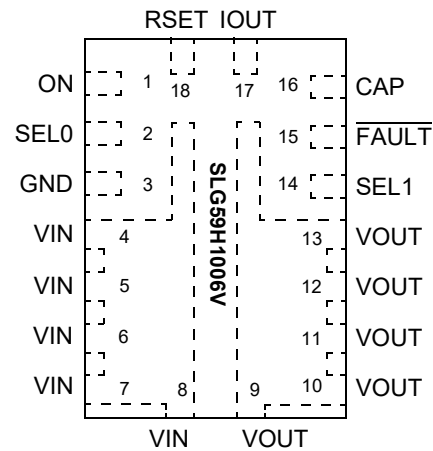
The SLG59H1006V is a high-performance, self-powered 13.1 mΩ NMOS load switch designed for all 4.5 V to 22 V power rails up to 5 A. Using a proprietary MOSFET design, the SLG59H1006V achieves a stable 13.1 mΩ  $R_{DS(ON)}$  across a wide input voltage range. In combining novel FET design and copper pillar interconnects, the SLG59H1006V package also exhibits a low thermal resistance for high-current operation.

Designed to operate over a -40 °C to 85 °C range, the SLG59H1006V is available in a low thermal resistance, RoHS-compliant, 1.6 x 3.0 mm STQFN package.

### Features

- Wide Operating Input Voltage: 4.5 V to 22 V
- Maximum Continuous Current: 5 A
- Automatic nFET SOA Protection
  - 5 W SOA Protection Threshold
- High-performance MOSFET Switch
  - Low  $R_{DS(ON)}$ : 13.1 mΩ at  $V_{IN} = 22$  V
  - Low  $\Delta R_{DS(ON)}/\Delta V_{IN}$ : < 0.05 mΩ/V
  - Low  $\Delta R_{DS(ON)}/\Delta T$ : < 0.06 mΩ/°C
- 4-Level, Pin-selectable  $V_{IN}$  Overvoltage Lockout
- Capacitor-adjustable Inrush Current Control
- Two stage Current Limit Protection:
  - Resistor-adjustable Active Current Limit
  - Internal Short-circuit Current limit
- Open Drain FAULT Signaling
- MOSFET Current Analog Output Monitor: 10 μA/A
- Fast 4 kΩ Output Discharge
  - Pb-Free / Halogen-Free / RoHS Compliant Packaging

### Pin Configuration

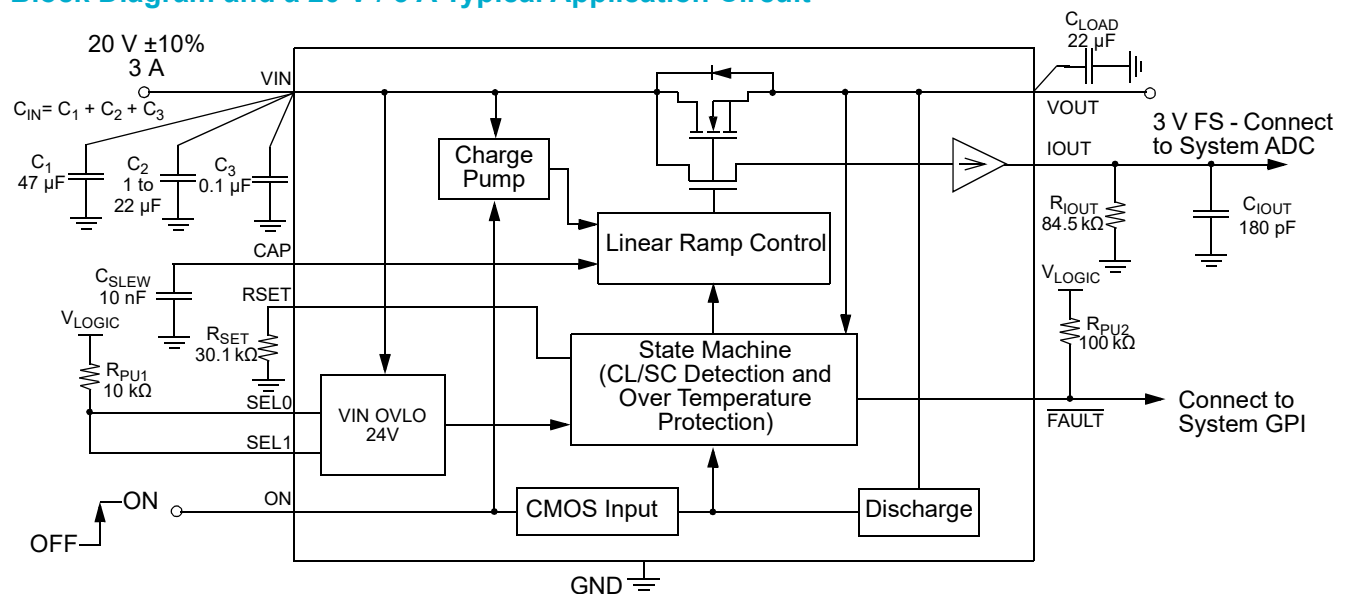


**18-pin STQFN**  
1.6 x 3.0 mm, 0.40mm pitch  
(Top View)

### Applications

- Power-Rail Switching
- Multifunction Printers
- Large-format Copiers
- Telecommunications Equipment
- High-performance Computing
- 5 V, 9 V, 12 V, and 20 V Point-of-Load Power Distribution
- Motor Drives

### Block Diagram and a 20 V / 3 A Typical Application Circuit



## SLG59H1006V

A 22 V, 13.1 mΩ, 5 A Load Switch  
with  $V_{IN}$  Lockout Select and MOSFET Current Monitor Output

### Pin Description

| Pin # | Pin Name                  | Type   | Pin Description   |
|-------|---------------------------|--------|---|
| 1     | ON                        | Input  | A low-to-high transition on this pin initiates the operation of the SLG59H1006V's state machine. ON is an asserted HIGH, level-sensitive CMOS input with $ON_{V_{IL}} < 0.3\text{ V}$ and $ON_{V_{IH}} > 0.9\text{ V}$ . As the ON pin input circuit does not have an internal pull-down resistor, connect this pin to a general-purpose output (GPO) of a microcontroller, an application processor, or a system controller – do not allow this pin to be open-circuited.  |
| 2     | SEL0                      | Input  | As level-sensitive, CMOS inputs with $V_{IL} < 0.3\text{ V}$ and $V_{IH} > 1.65\text{ V}$ , the SEL0 (LSB) and the SEL1 (MSB) pins select one of four $V_{IN}$ overvoltage lockout thresholds. Please see the Applications Section for additional information and the Electrical Characteristics table for the $V_{IN}$ overvoltage thresholds. A logic LOW on either pin is achieved by connecting the pin of interest to GND; a logic HIGH on either pin is achieved by connecting a 10 kΩ external resistor from the pin in question to the system's local logic supply.                         |
| 3     | GND                       | GND    | Pin 3 is the main ground connection for the SLG59H1006V's internal charge pump, its gate driver and current-limit circuits as well as its internal state machine. Therefore, use a short, stout connection from Pin 3 to the system's analog or power plane.  |
| 4-8   | VIN                       | MOSFET | VIN supplies the power for the operation of the SLG59H1006V, its internal control circuitry, and the drain terminal of the nFET load switch. With 5 pins fused together at VIN, connect a 47 μF (or larger) low-ESR capacitor from this pin to ground. Capacitors used at VIN should be rated at 50 V or higher.  |
| 9-13  | VOUT                      | MOSFET | Source terminal of n-channel MOSFET (5 pins fused for VOUT). Connect a 22 μF (or larger) low-ESR capacitor from this pin to ground. Capacitors used at VOUT should be rated at 50 V or higher.  |
| 14    | SEL1                      | Input  | Please see SEL0 Pin Description above   |
| 15    | $\overline{\text{FAULT}}$ | Output | An open drain output, $\overline{\text{FAULT}}$ is asserted within $T_{\overline{\text{FAULT}}_{\text{LOW}}}$ when a $V_{IN}$ overvoltage, a current-limit, or an over-temperature condition is detected. $\overline{\text{FAULT}}$ is deasserted within $T_{\overline{\text{FAULT}}_{\text{HIGH}}}$ when the fault condition is removed. Connect an 100 kΩ external resistor from the $\overline{\text{FAULT}}$ pin to local system logic supply.  |
| 16    | CAP                       | Output | A low-ESR, stable dielectric, ceramic surface-mount capacitor connected from CAP pin to GND sets the $V_{OUT}$ slew rate and overall turn-on time of the SLG59H1006V. For best performance, the range for $C_{\text{SLEW}}$ values are $10\text{ nF} \leq C_{\text{SLEW}} \leq 20\text{ nF}$ – please see typical characteristics for additional information. Capacitors used at the CAP pin should be rated at 10 V or higher. Please consult Applications Section on how to select $C_{\text{SLEW}}$ based on $V_{OUT}$ slew rate and loading conditions.   |
| 17    | IOUT                      | Output | IOUT is the SLG59H1006V's power MOSFET load current monitor output. As an analog current output, this signal when applied to a ground-reference resistor generates a voltage proportional to the current through the n-channel MOSFET. The $I_{\text{OUT}}$ transfer characteristic is typically 10 μA/A with a voltage compliance range of $0.5\text{ V} \leq V_{I_{\text{OUT}}} \leq 4\text{ V}$ . Optimal $I_{\text{OUT}}$ linearity is exhibited for $0.5\text{ A} \leq I_{\text{DS}} \leq 5\text{ A}$ . In addition, it is recommended to bypass the IOUT pin to GND with a 0.18 nF capacitor. |
| 18    | RSET                      | Input  | A 1%-tolerance, metal-film resistor between 18 kΩ and 91 kΩ sets the SLG59H1006V's active current limit. A 91 kΩ resistor sets the SLG59H1006V's active current limit to 1 A and a 18 kΩ resistor sets the active current limit to 5 A.   |

## SLG59H1006V

A 22 V, 13.1 mΩ, 5 A Load Switch  
with  $V_{IN}$  Lockout Select and MOSFET Current Monitor Output

### Ordering Information

| Part Number   | Type                         | Production Flow             |
|---------------|------------------------------|-----------------------------|
| SLG59H1006V   | STQFN 18L FC                 | Industrial, -40 °C to 85 °C |
| SLG59H1006VTR | STQFN 18L FC (Tape and Reel) | Industrial, -40 °C to 85 °C |

### Absolute Maximum Ratings

| Parameter                                       | Description  | Conditions  | Min. | Typ. | Max.     | Unit |
|---|--|---|------|------|----------|------|
| $V_{IN}$ to GND                                 | Load Switch Input Voltage to GND                             | Continuous  | -0.3 | --   | 30       | V    |
|   |  | Maximum pulsed $V_{IN}$ , pulse width < 0.1 s   | --   | --   | 32       | V    |
| $V_{OUT}$ to GND                                | Load Switch Output Voltage to GND                            |   | -0.3 | --   | $V_{IN}$ | V    |
| ON, SEL[1,0], CAP, RSET, IOUT, and FAULT to GND | ON, SEL[1,0], CAP, RSET, IOUT, and FAULT Pin Voltages to GND |   | -0.3 | --   | 7        | V    |
| $T_S$   | Storage Temperature  |   | -65  | --   | 150      | °C   |
| ESD <sub>HBM</sub>                              | ESD Protection   | Human Body Model  | 2000 | --   | --       | V    |
| ESD <sub>CDM</sub>                              | ESD Protection   | Charged Device Model  | 500  | --   | --       | V    |
| MSL   | Moisture Sensitivity Level                                   |   | 1    |      |          |      |
| $\theta_{JA}$                                   | Thermal Resistance   | 1.6 x 3.0 mm 18L STQFN; Determined with the device mounted onto a 1 in <sup>2</sup> , 1 oz. copper pad of FR-4 material | --   | 40   | --       | °C/W |
| MOSFET IDS <sub>CONT</sub>                      | Continuous Current from VIN to VOUT                          | $T_J < 150\text{ °C}$   | --   | --   | 5        | A    |
| MOSFET IDS <sub>PEAK</sub>                      | Peak Current from VIN to VOUT                                | Maximum pulsed switch current, pulse width < 1 ms   | --   | --   | 6        | A    |

Note: Stresses greater than those listed under "Absolute Maximum Ratings" may cause permanent damage to the device. This is a stress rating only and functional operation of the device at these or any other conditions above those indicated in the operational sections of this specification is not implied. Exposure to absolute maximum rating conditions for extended periods may affect reliability.

### Electrical Characteristics

4.5 V ≤  $V_{IN}$  ≤ 22 V;  $C_{IN}$  = 47 μF,  $T_A$  = -40 °C to 85 °C, unless otherwise noted. Typical values are at  $T_A$  = 25 °C

| Parameter         | Description                             | Conditions                              | Min. | Typ. | Max. | Unit |
|-------------------|---|---|------|------|------|------|
| $V_{IN}$          | Operating Input Voltage                 |   | 4.5  | --   | 22   | V    |
| $V_{IN(OVLO)}$    | $V_{IN}$ Overvoltage Lockout Threshold  | $V_{IN} \uparrow$ ; SEL[1,0] = [0,0]    | 5.6  | 6    | 6.3  | V    |
|                   |   | $V_{IN} \uparrow$ ; SEL[1,0] = [0,1]    | 10.2 | 10.8 | 11.4 | V    |
|                   |   | $V_{IN} \uparrow$ ; SEL[1,0] = [1,0]    | 13.5 | 14.4 | 15.2 | V    |
|                   |   | $V_{IN} \uparrow$ ; SEL[1,0] = [1,1]    | 22.6 | 24   | 25.2 | V    |
| $V_{IN(UVLO)}$    | $V_{IN}$ Undervoltage Lockout Threshold | $V_{IN} \downarrow$                     | 2.4  | --   | 3.8  | V    |
| $I_Q$             | Quiescent Supply Current                | ON = HIGH; $I_{DS} = 0$ A               | --   | 0.5  | 0.6  | mA   |
| $I_{SHDN}$        | OFF Mode Supply Current                 | ON = LOW; $I_{DS} = 0$ A                | --   | 1    | 3    | μA   |
| RDS <sub>ON</sub> | ON Resistance                           | $T_A = 25\text{ °C}$ ; $I_{DS} = 0.1$ A | --   | 13.1 | 14   | mΩ   |
|                   |   | $T_A = 85\text{ °C}$ ; $I_{DS} = 0.1$ A | --   | 16.8 | 18   | mΩ   |
| MOSFET IDS        | Current from VIN to VOUT                | Continuous                              | --   | --   | 5    | A    |

# SLG59H1006V

## A 22 V, 13.1 mΩ, 5 A Load Switch with V<sub>IN</sub> Lockout Select and MOSFET Current Monitor Output

### Electrical Characteristics (continued)

4.5 V ≤ V<sub>IN</sub> ≤ 22 V; C<sub>IN</sub> = 47 μF, T<sub>A</sub> = -40 °C to 85 °C, unless otherwise noted. Typical values are at T<sub>A</sub> = 25 °C

| Parameter                | Description   | Conditions   | Min.   | Typ. | Max. | Unit |
|--------------------------|---|--|--|------|------|------|
| I <sub>LIMIT</sub>       | Active Current Limit, I <sub>ACL</sub>                          | V <sub>OUT</sub> > 0.5 V; R <sub>SET</sub> = 30.1 kΩ   | 2.8  | 3.2  | 3.6  | A    |
|                          | Short-circuit Current Limit, I <sub>SCL</sub>                   | V <sub>OUT</sub> < 0.5 V   | --   | 0.5  | --   | A    |
| T <sub>ACL</sub>         | Active Current Limit Response Time                              |  | --   | 120  | --   | μs   |
| R <sub>DISCHRG</sub>     | Output Discharge Resistance                                     |  | 3.5  | 4.4  | 5.3  | kΩ   |
| I <sub>OUT</sub>         | MOSFET Current Analog Monitor Output                            | I <sub>DS</sub> = 1 A  | 9.3  | 10   | 10.7 | μA   |
|                          |   | I <sub>DS</sub> = 3 A  | 28.5   | 30   | 31.5 | μA   |
| T <sub>IOUT</sub>        | I <sub>OUT</sub> Response Time to Change in Main MOSFET Current | C <sub>IOUT</sub> = 180 pF;<br>Step load 0 to 2.4 A; 0% to 90% I <sub>OUT</sub>  | --   | 45   | --   | μs   |
| C <sub>LOAD</sub>        | Output Load Capacitance   | C <sub>LOAD</sub> connected from V <sub>OUT</sub> to GND   | --   | 22   | --   | μF   |
| T <sub>ON_Delay</sub>    | ON Delay Time   | 50% ON to 10% V <sub>OUT</sub> ↑;<br>V <sub>IN</sub> = 4.5 V; C <sub>SLEW</sub> = 10 nF;<br>R <sub>LOAD</sub> = 100 Ω, C <sub>LOAD</sub> = 10 μF                       | --   | 0.3  | 0.5  | ms   |
|                          |   | 50% ON to 10% V <sub>OUT</sub> ↑;<br>V <sub>IN</sub> = 22 V; C <sub>SLEW</sub> = 10 nF;<br>R <sub>LOAD</sub> = 100 Ω, C <sub>LOAD</sub> = 10 μF                        | --   | 0.7  | 1.2  | ms   |
| T <sub>Total_ON</sub>    | Total Turn On Time  | 50% ON to 90% V <sub>OUT</sub> ↑   | Set by External C <sub>SLEW</sub> <sup>1</sup> |      |      | ms   |
|                          |   | 50% ON to 90% V <sub>OUT</sub> ↑;<br>V <sub>IN</sub> = 4.5 V; C <sub>SLEW</sub> = 10 nF;<br>R <sub>LOAD</sub> = 100 Ω, C <sub>LOAD</sub> = 10 μF                       | --   | 1.4  | 2.1  | ms   |
|                          |   | 50% ON to 90% V <sub>OUT</sub> ↑;<br>V <sub>IN</sub> = 22 V; C <sub>SLEW</sub> = 10 nF;<br>R <sub>LOAD</sub> = 100 Ω, C <sub>LOAD</sub> = 10 μF                        | --   | 5    | 8    | ms   |
| V <sub>OUT(SR)</sub>     | V <sub>OUT</sub> Slew Rate                                      | 10% V <sub>OUT</sub> to 90% V <sub>OUT</sub> ↑   | Set by External C <sub>SLEW</sub> <sup>1</sup> |      |      | V/ms |
|                          |   | 10% V <sub>OUT</sub> to 90% V <sub>OUT</sub> ↑;<br>V <sub>IN</sub> = 4.5 V to 22 V; C <sub>SLEW</sub> = 10 nF;<br>R <sub>LOAD</sub> = 100 Ω, C <sub>LOAD</sub> = 10 μF | 2.7  | 3.2  | 3.9  | V/ms |
| T <sub>OFF_Delay</sub>   | OFF Delay Time  | 50% ON to V <sub>OUT</sub> Fall Start ↓;<br>V <sub>IN</sub> = 4.5 V to 22 V<br>R <sub>LOAD</sub> = 100 Ω, No C <sub>LOAD</sub>   | --   | 15   | --   | μs   |
| T <sub>FALL</sub>        | V <sub>OUT</sub> Fall Time                                      | 90% V <sub>OUT</sub> to 10% V <sub>OUT</sub> ;<br>ON = HIGH-to-LOW;<br>V <sub>IN</sub> = 4.5 V to 22 V;<br>R <sub>LOAD</sub> = 100 Ω, No C <sub>LOAD</sub>             | 10.4   | 12.7 | 14.3 | μs   |
| T <sub>FAULT_LOW</sub>   | FAULT Assertion Time  | Abnormal Step Load Current event to FAULT ↓; I <sub>ACL</sub> = 1 A; V <sub>IN</sub> = 22 V;<br>R <sub>SET</sub> = 91 kΩ; switch in 20 Ω load                          | --   | 80   | --   | μs   |
| T <sub>FAULT_HIGH</sub>  | FAULT De-assertion Time   | Delay to FAULT ↑ after fault condition is removed; I <sub>ACL</sub> = 1 A; V <sub>IN</sub> = 22 V;<br>R <sub>SET</sub> = 91 kΩ; switch out 20 Ω load                   | --   | 180  | --   | μs   |
| FAULT <sub>VOL</sub>     | FAULT Output Low Voltage  | I <sub>FAULT</sub> = 1 mA  | --   | 0.2  | --   | V    |
| ON_V <sub>IH</sub>       | ON Pin Input High Voltage                                       |  | 0.9  | --   | 5    | V    |
| ON_V <sub>IL</sub>       | ON Pin Input Low Voltage  |  | -0.3   | 0    | 0.3  | V    |
| SEL[1,0]_V <sub>IH</sub> | SEL[1,0] pins Input High Voltage                                |  | 1.65   | --   | 4.5  | V    |
| SEL[1,0]_V <sub>IL</sub> | SEL[1,0] pins Input Low Voltage                                 |  | -0.3   | --   | 0.3  | V    |
| I <sub>ON(Leakage)</sub> | ON Pin Leakage Current  | 1 V ≤ ON ≤ 5 V or ON = GND   | --   | --   | 1    | μA   |
| THERM <sub>ON</sub>      | Thermal Protection Shutdown Threshold                           |  | --   | 125  | --   | °C   |

# SLG59H1006V

## A 22 V, 13.1 mΩ, 5 A Load Switch with $V_{IN}$ Lockout Select and MOSFET Current Monitor Output

### Electrical Characteristics (continued)

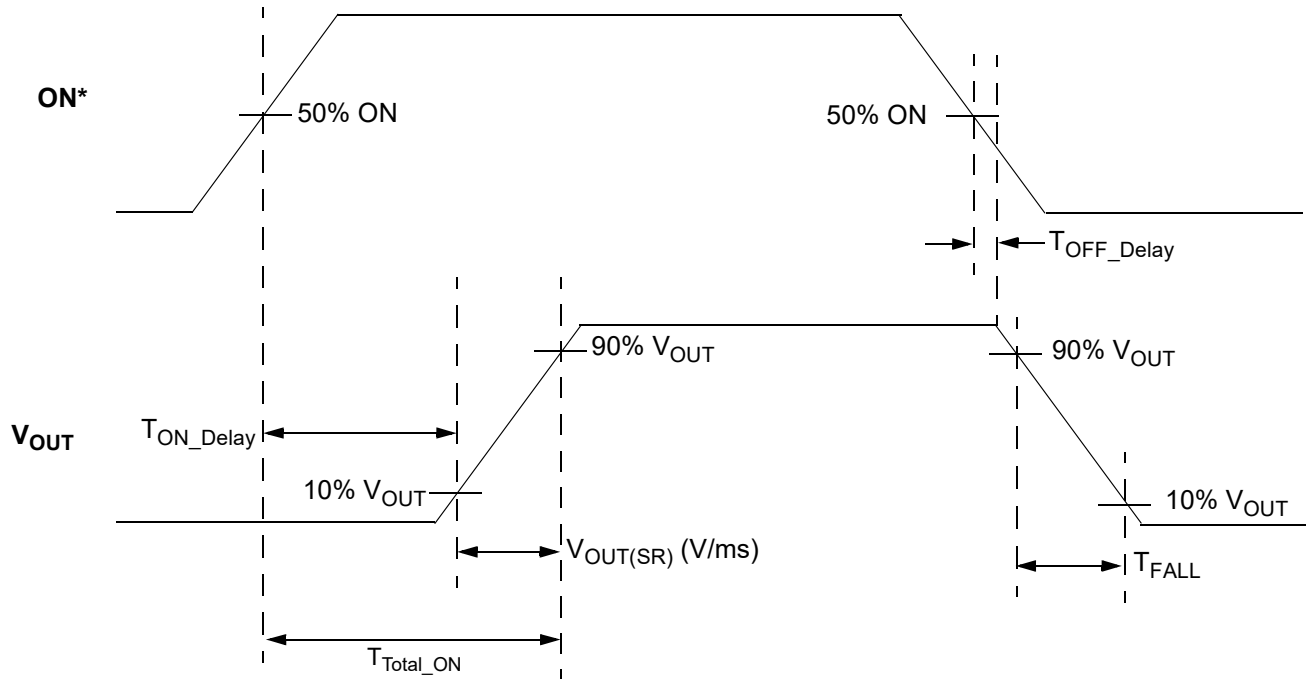
$4.5\text{ V} \leq V_{IN} \leq 22\text{ V}$ ;  $C_{IN} = 47\text{ }\mu\text{F}$ ,  $T_A = -40\text{ }^\circ\text{C}$  to  $85\text{ }^\circ\text{C}$ , unless otherwise noted. Typical values are at  $T_A = 25\text{ }^\circ\text{C}$

| Parameter            | Description                          | Conditions | Min. | Typ. | Max. | Unit |
|----------------------|--------------------------------------|------------|------|------|------|------|
| THERM <sub>OFF</sub> | Thermal Protection Restart Threshold |            | --   | 100  | --   | °C   |

Notes:

1. Refer to typical Timing Parameter vs.  $C_{SLEW}$  performance charts for additional information when available.

### $T_{Total\_ON}$ , $T_{ON\_Delay}$ and Slew Rate Measurement



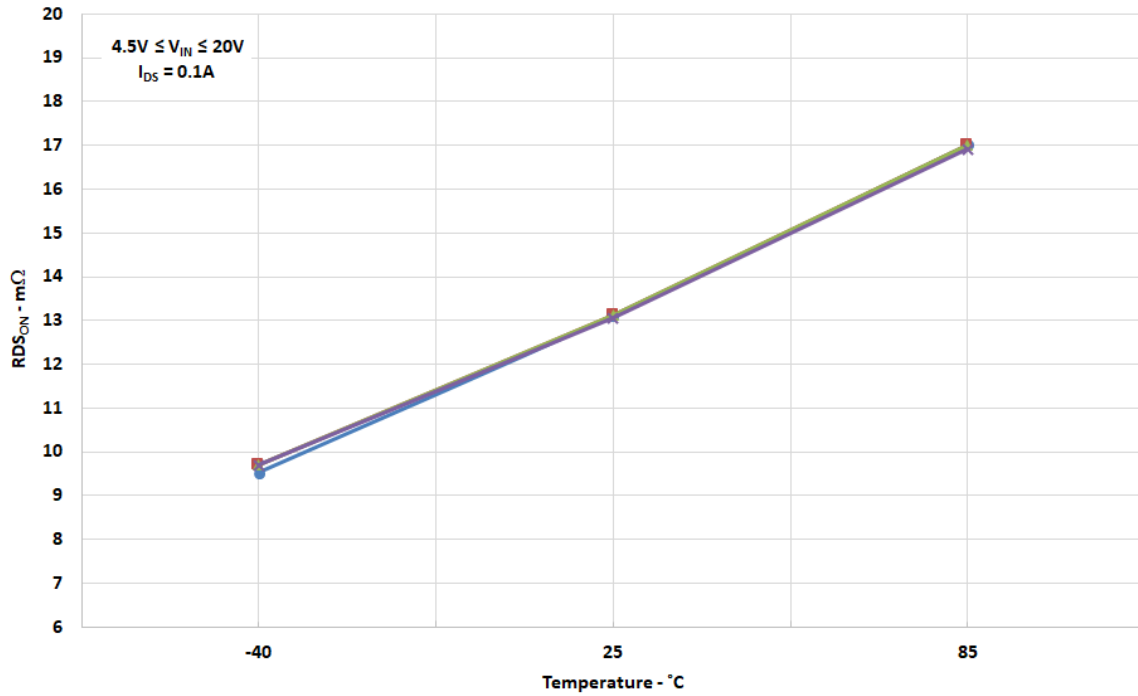
\*Rise and Fall Times of the ON Signal are 100 ns

### Typical Performance Characteristics

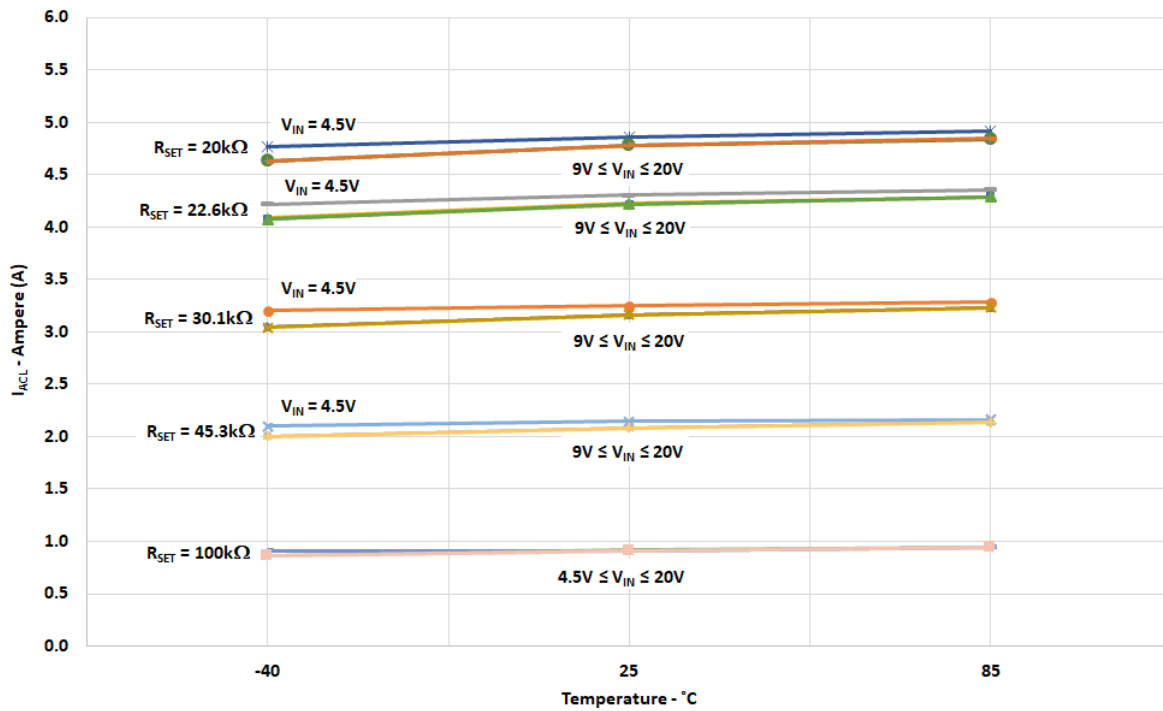
# SLG59H1006V

A 22 V, 13.1 mΩ, 5 A Load Switch with  $V_{IN}$  Lockout Select and MOSFET Current Monitor Output

## RDS<sub>ON</sub> vs. Temperature, and $V_{IN}$



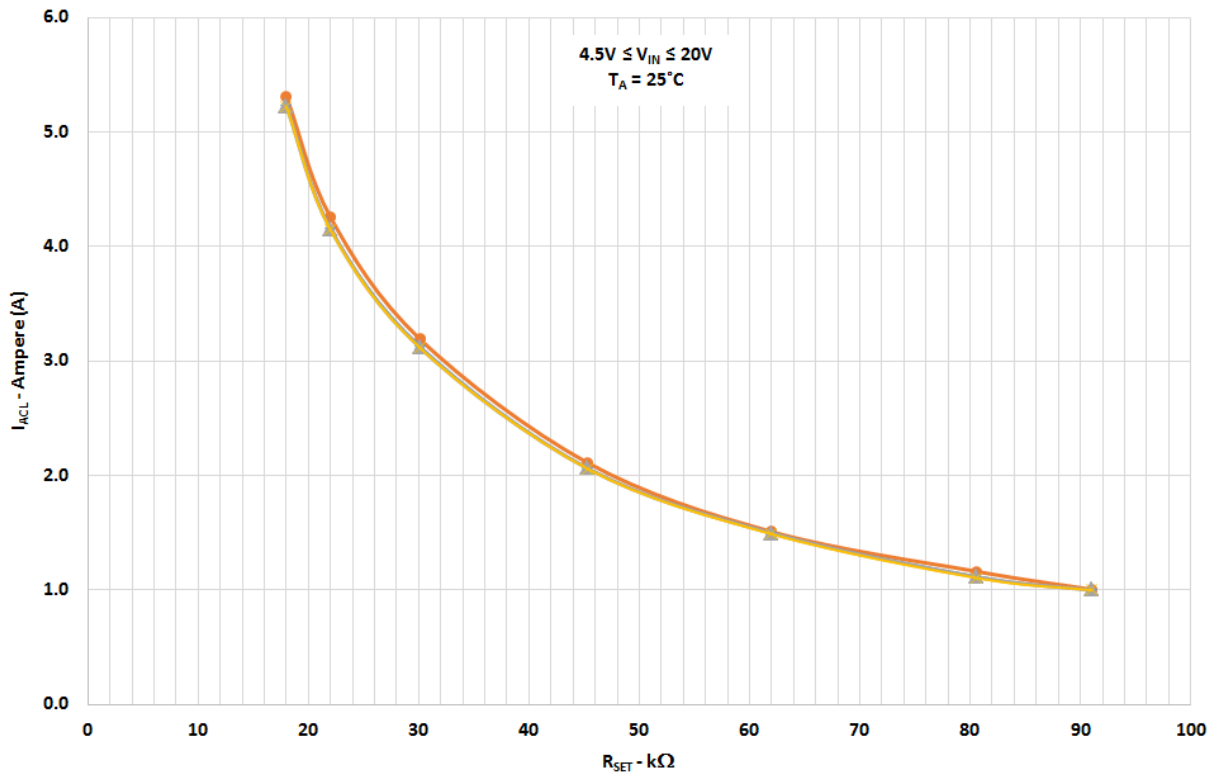
## I<sub>ACL</sub> vs. Temperature and R<sub>SET</sub>



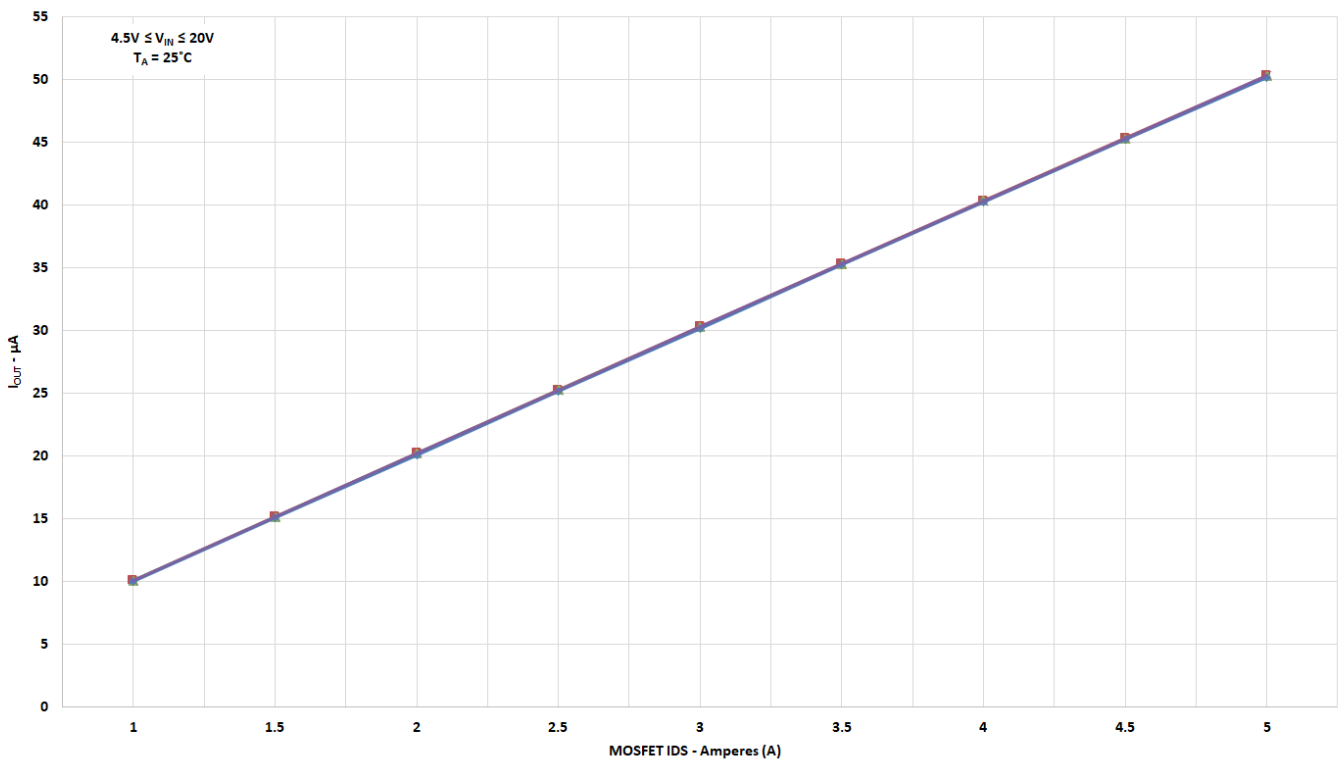
SLG59H1006V

A 22 V, 13.1 mΩ, 5 A Load Switch with  $V_{IN}$  Lockout Select and MOSFET Current Monitor Output

$I_{ACL}$  vs.  $R_{SET}$  and  $V_{IN}$



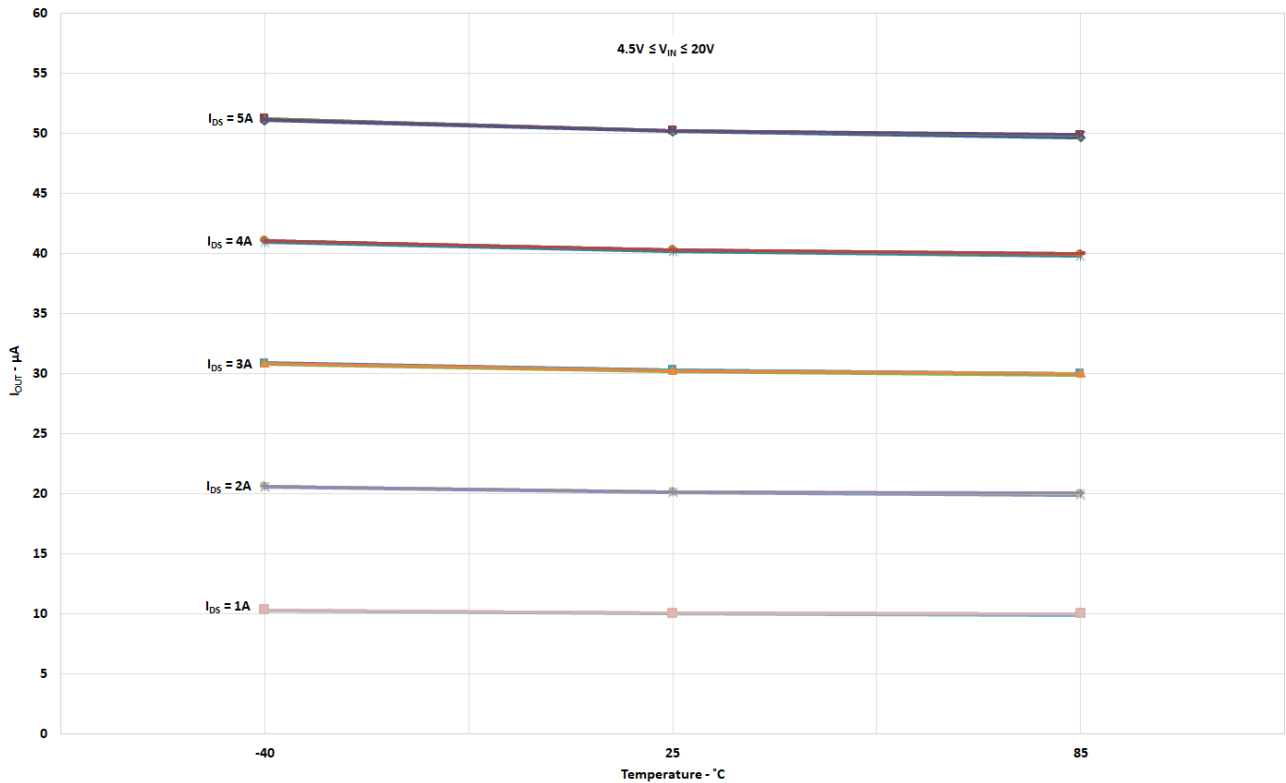
$I_{OUT}$  vs. MOSFET  $I_{DS}$  and  $V_{IN}$



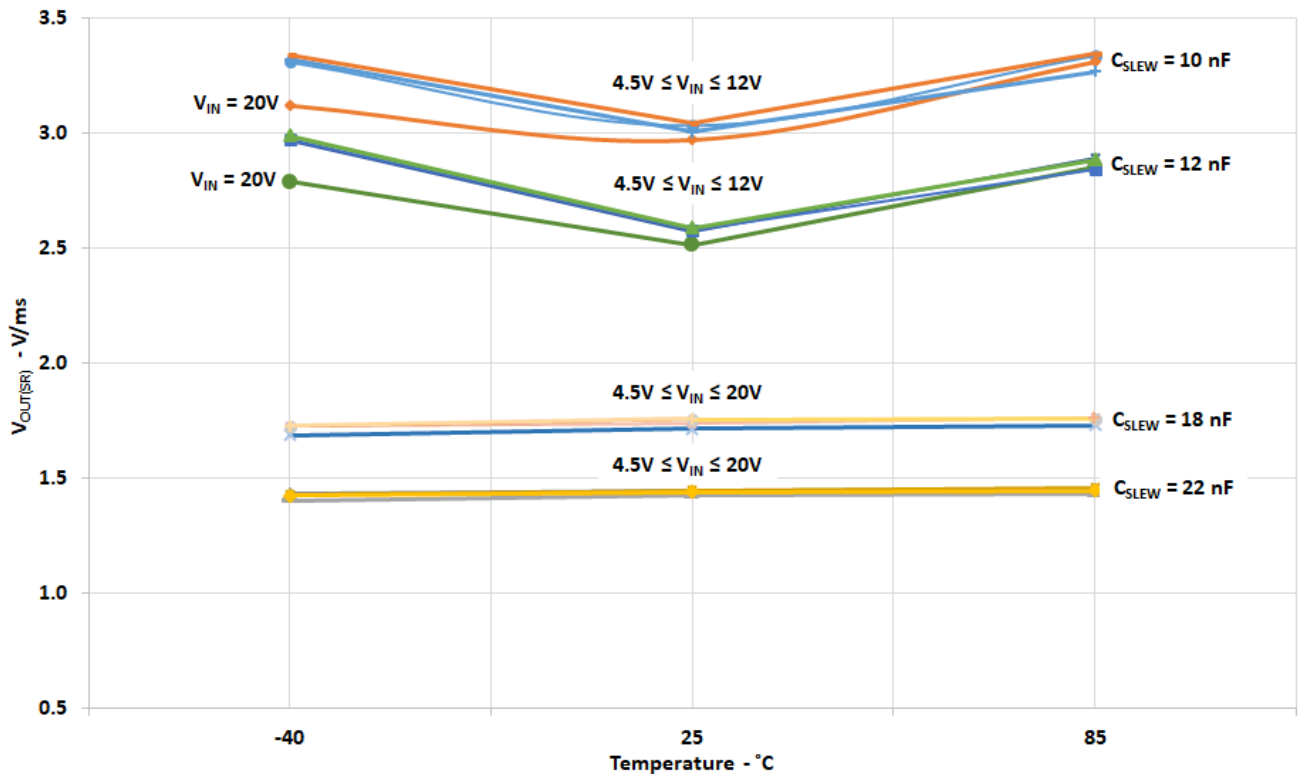
SLG59H1006V

A 22 V, 13.1 mΩ, 5 A Load Switch with  $V_{IN}$  Lockout Select and MOSFET Current Monitor Output

$I_{OUT}$  vs. Temperature and MOSFET  $I_{DS}$



$V_{OUT}$  Slew Rate vs. Temperature,  $V_{IN}$ , and  $C_{SLEW}$

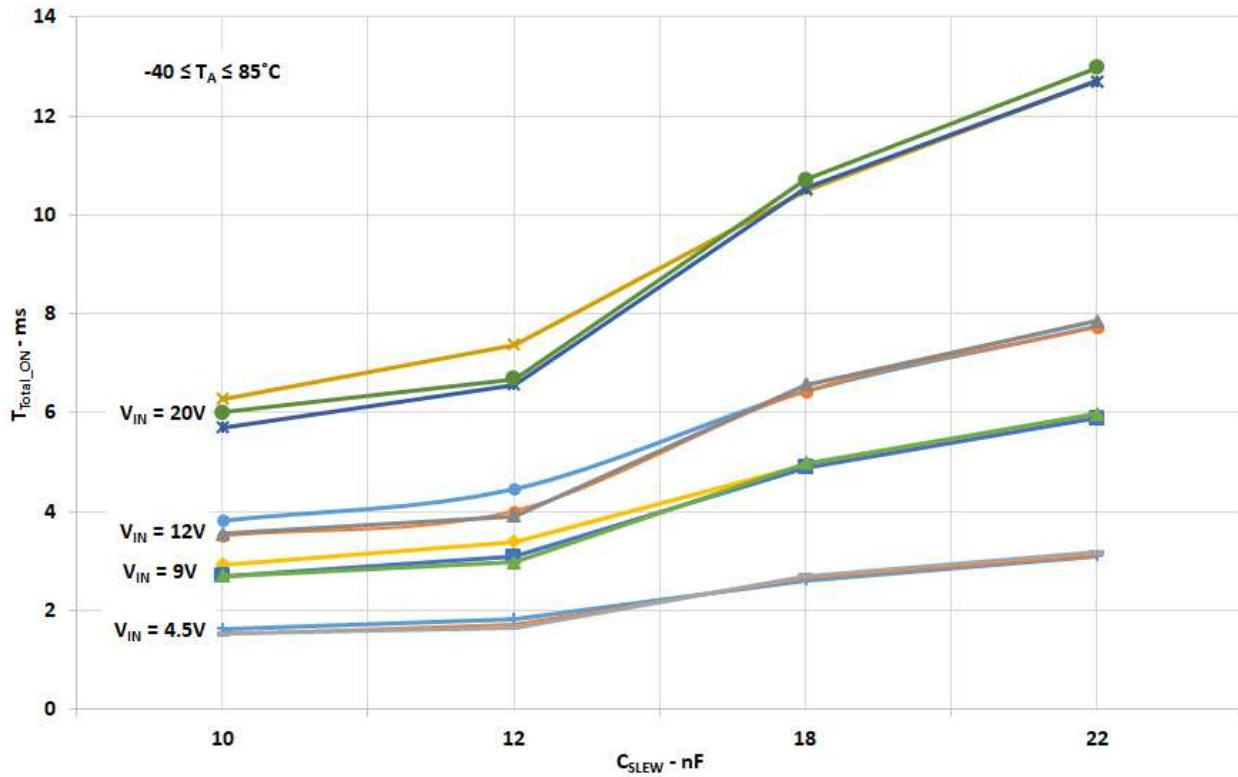




SLG59H1006V

A 22 V, 13.1 mΩ, 5 A Load Switch  
with  $V_{IN}$  Lockout Select and MOSFET Current Monitor Output

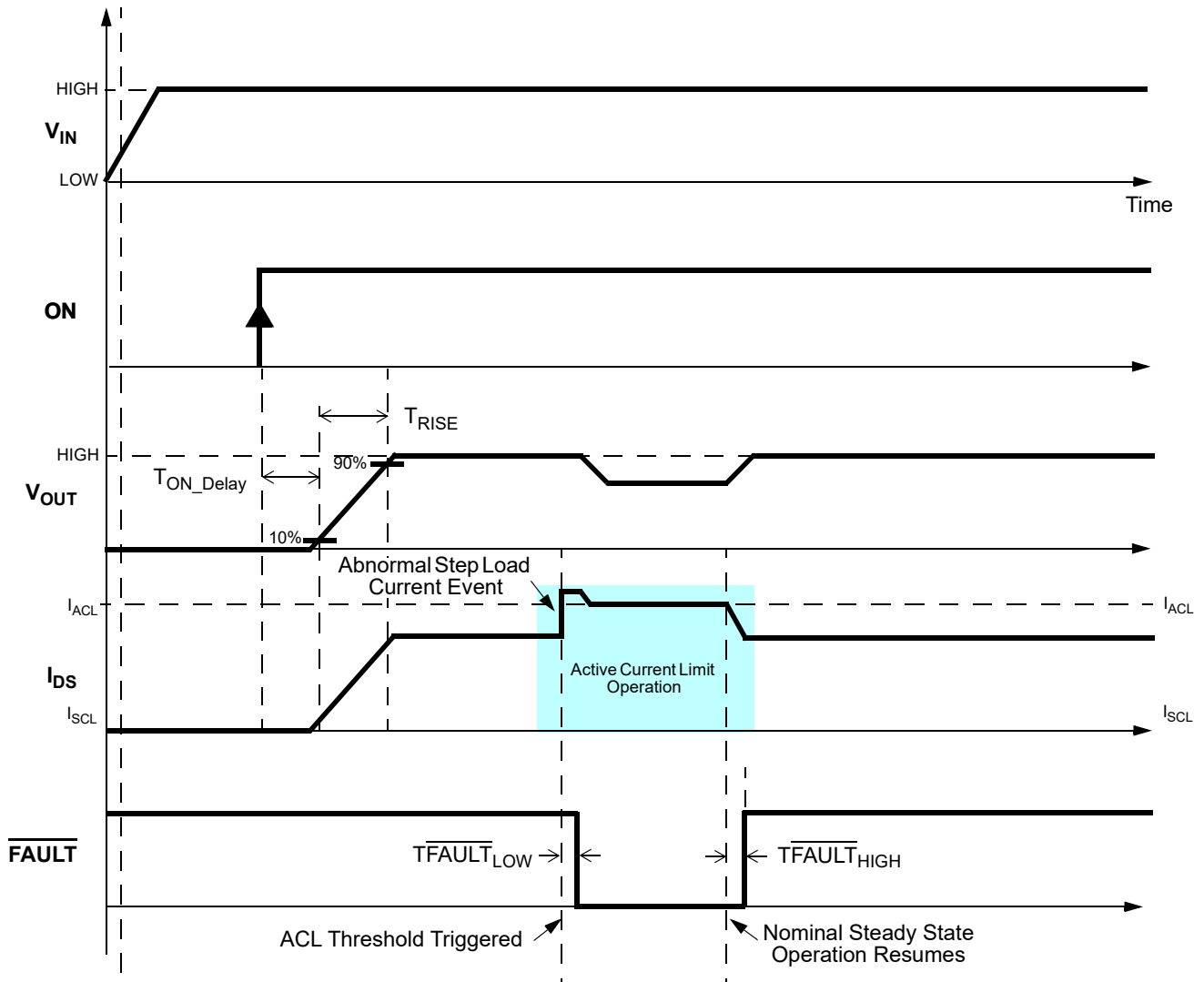
$T_{Total\_ON}$  vs.  $C_{SLEW}$ ,  $V_{IN}$ , and Temperature



SLG59H1006V

A 22 V, 13.1 mΩ, 5 A Load Switch  
with  $V_{IN}$  Lockout Select and MOSFET Current Monitor Output

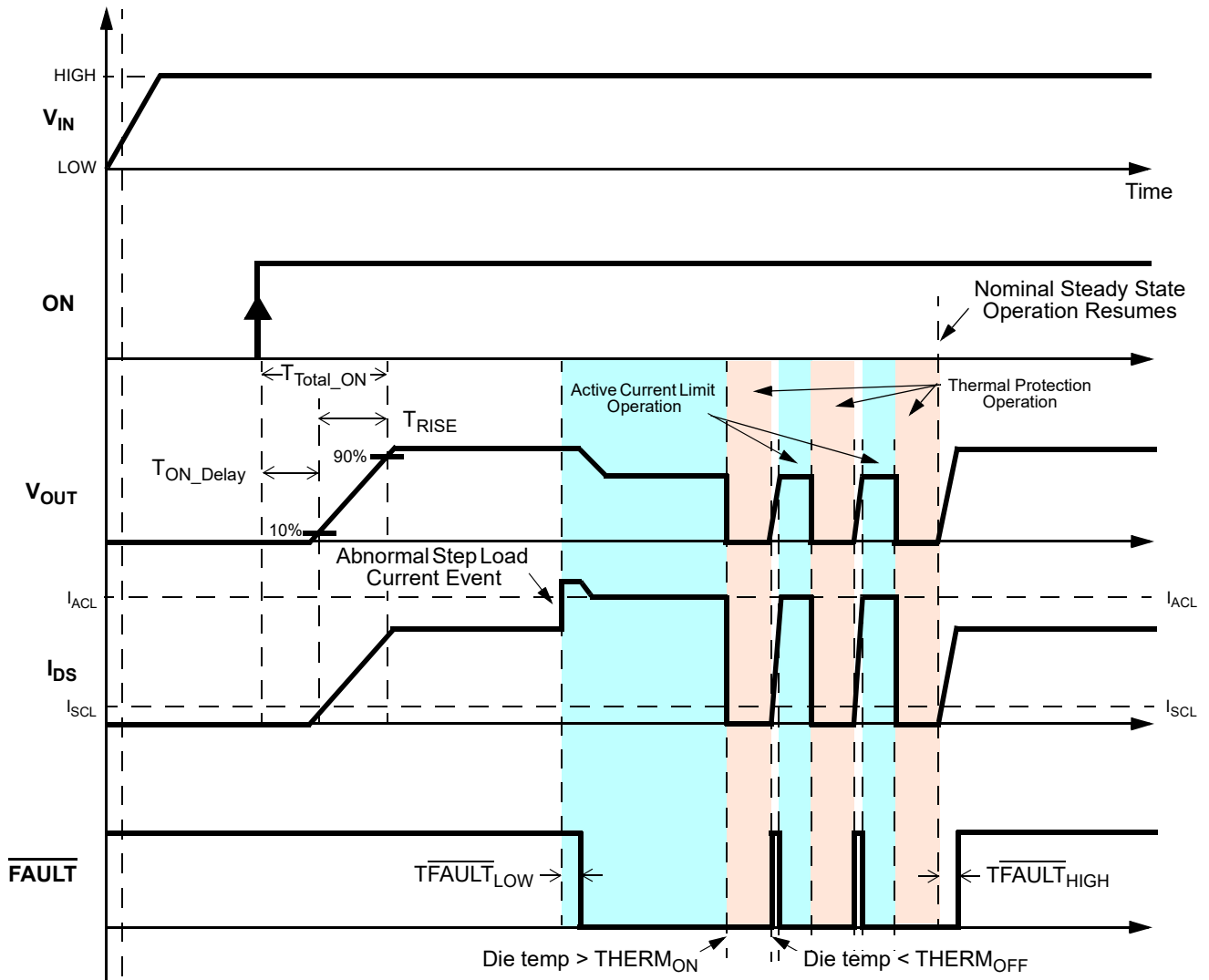
Timing Diagram - Basic Operation including Active Current Limit Protection



SLG59H1006V

A 22 V, 13.1 mΩ, 5 A Load Switch  
with  $V_{IN}$  Lockout Select and MOSFET Current Monitor Output

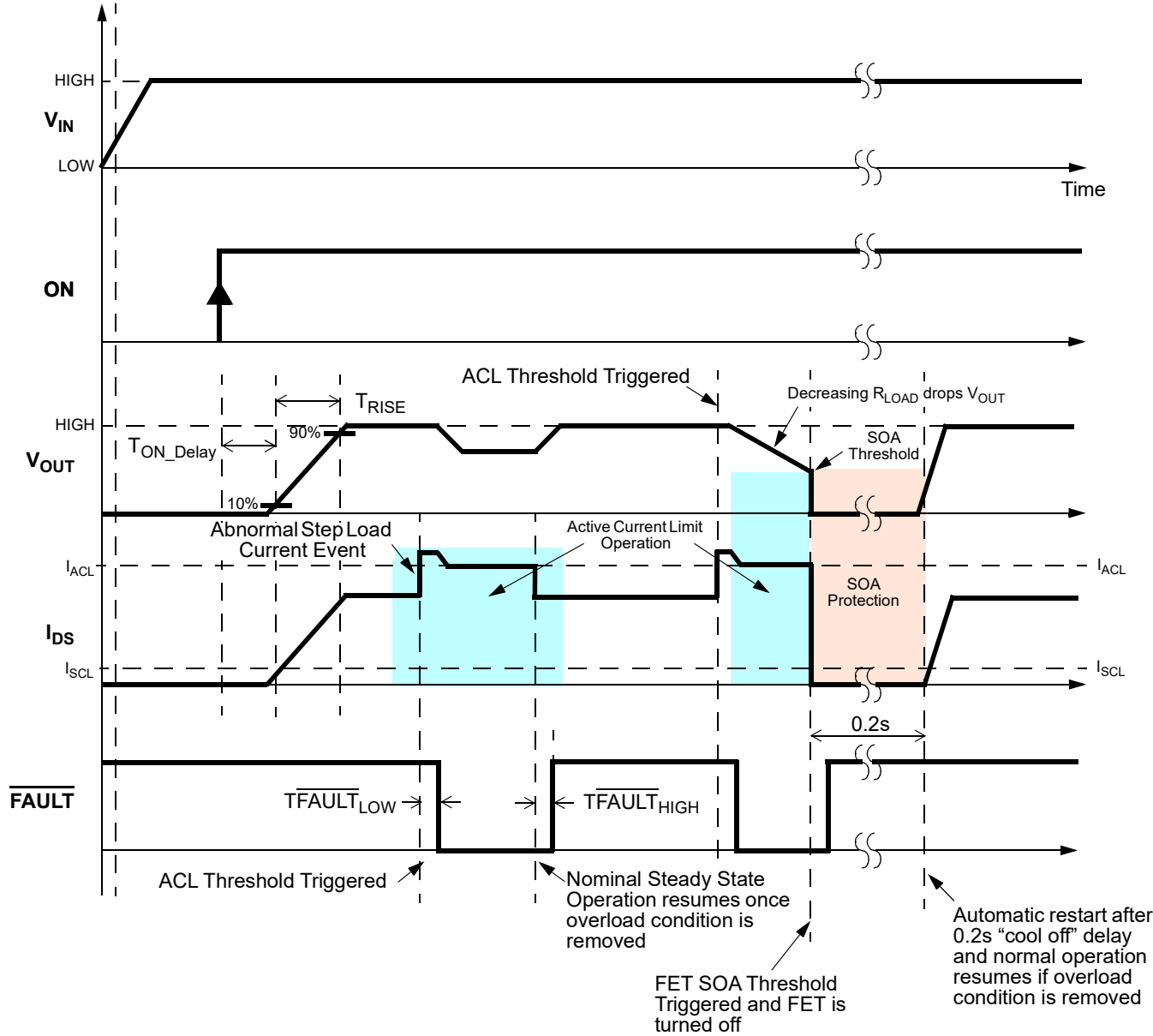
Timing Diagram - Active Current Limit & Thermal Protection Operation



SLG59H1006V

A 22 V, 13.1 mΩ, 5 A Load Switch with  $V_{IN}$  Lockout Select and MOSFET Current Monitor Output

Timing Diagram - Basic Operation including Active Current + Internal FET SOA Protection



SLG59H1006V

A 22 V, 13.1 mΩ, 5 A Load Switch with  $V_{IN}$  Lockout Select and MOSFET Current Monitor Output

SLG59H1006V Application Diagram

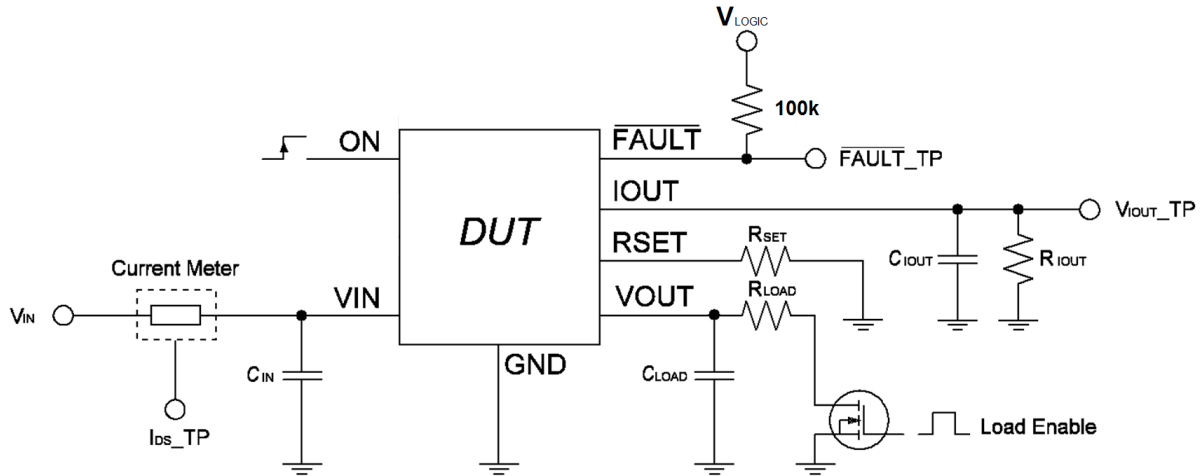


Figure 1. Test setup Application Diagram

Typical Turn-on Waveforms

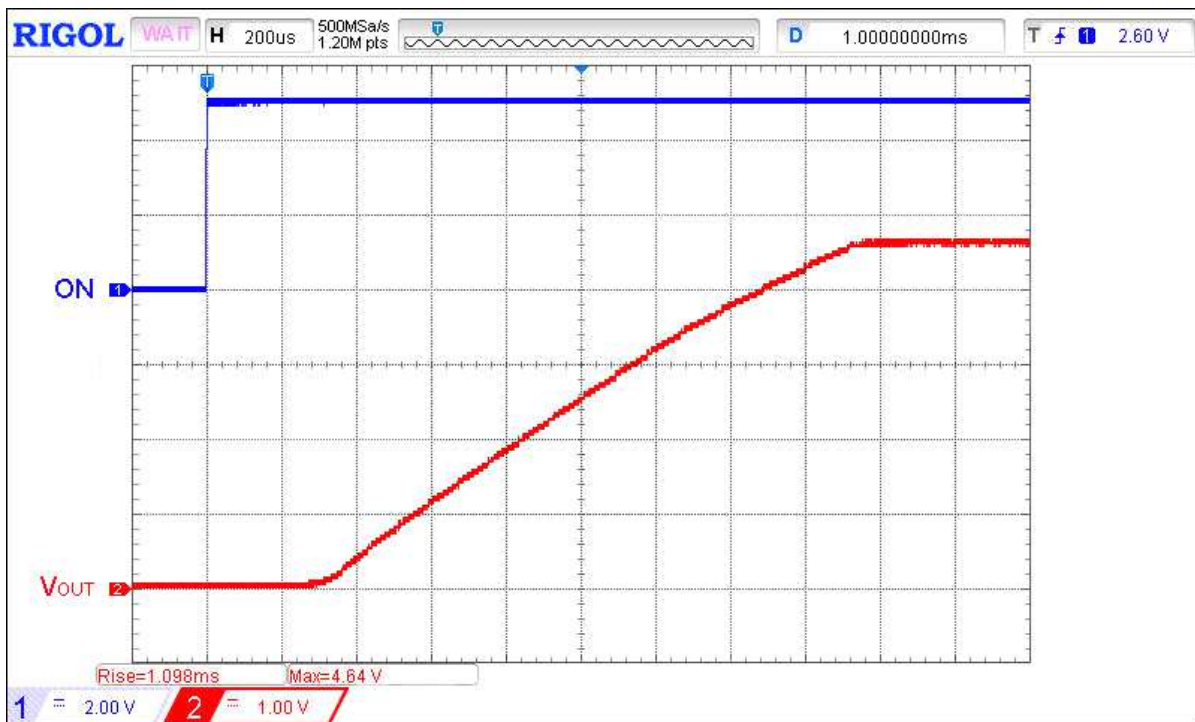


Figure 2. Typical Turn ON operation waveform for  $V_{IN} = 4.5\text{ V}$ ,  $C_{SLEW} = 10\text{ nF}$ ,  $C_{LOAD} = 10\text{ }\mu\text{F}$ ,  $R_{LOAD} = 100\text{ }\Omega$

SLG59H1006V

A 22 V, 13.1 mΩ, 5 A Load Switch  
with  $V_{IN}$  Lockout Select and MOSFET Current Monitor Output

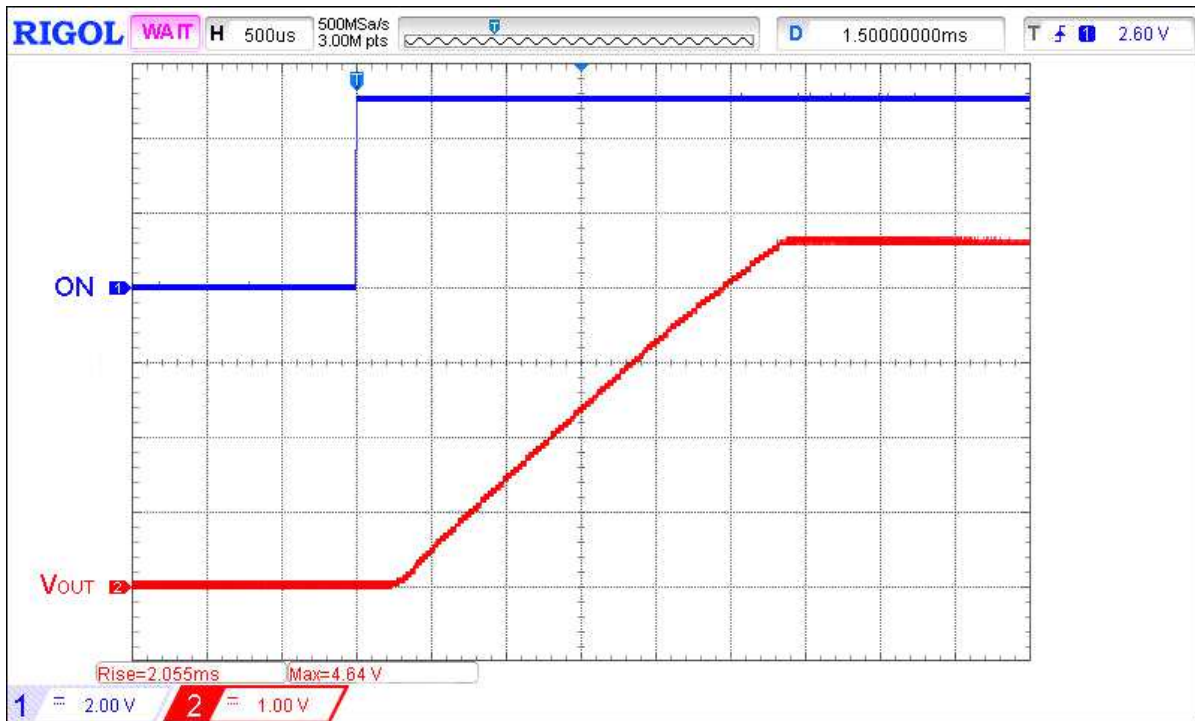


Figure 3. Typical Turn ON operation waveform for  $V_{IN} = 4.5\text{ V}$ ,  $C_{SLEW} = 18\text{ nF}$ ,  $C_{LOAD} = 10\text{ }\mu\text{F}$ ,  $R_{LOAD} = 100\text{ }\Omega$

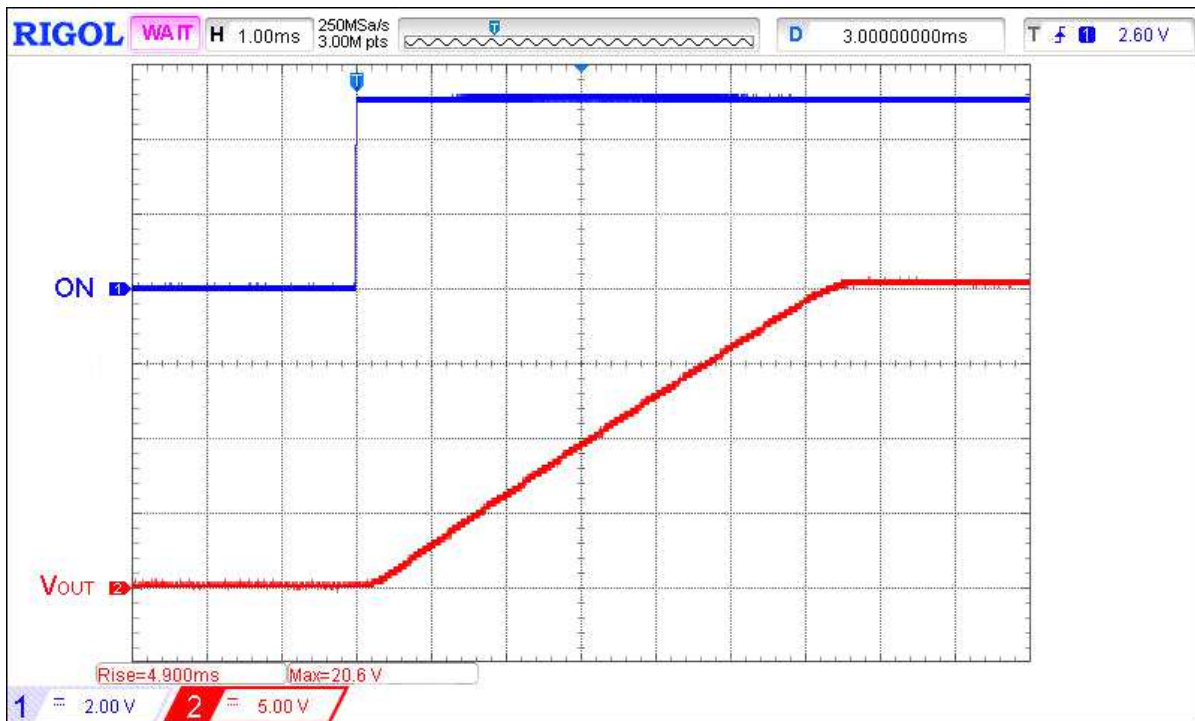


Figure 4. Typical Turn ON operation waveform for  $V_{IN} = 20\text{ V}$ ,  $C_{SLEW} = 10\text{ nF}$ ,  $C_{LOAD} = 10\text{ }\mu\text{F}$ ,  $R_{LOAD} = 100\text{ }\Omega$

SLG59H1006V

A 22 V, 13.1 mΩ, 5 A Load Switch  
with  $V_{IN}$  Lockout Select and MOSFET Current Monitor Output

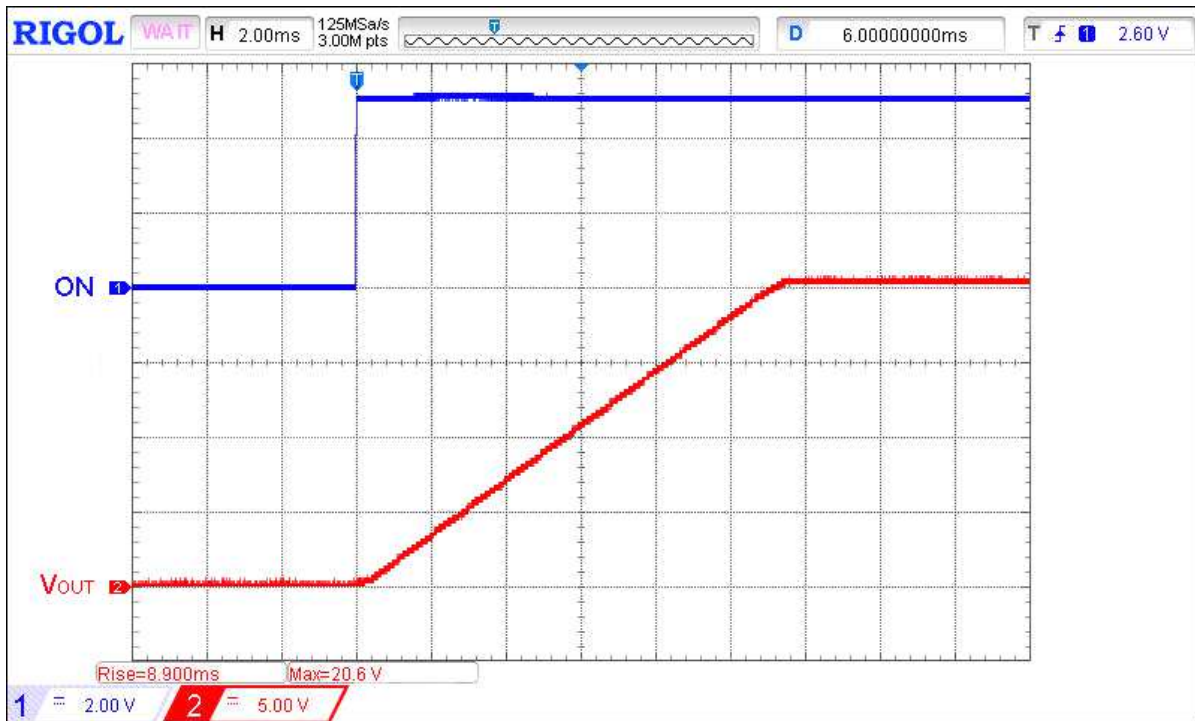


Figure 5. Typical Turn ON operation waveform for  $V_{IN} = 20\text{ V}$ ,  $C_{SLEW} = 18\text{ nF}$ ,  $C_{LOAD} = 10\text{ }\mu\text{F}$ ,  $R_{LOAD} = 100\text{ }\Omega$

Typical Turn-off Waveforms

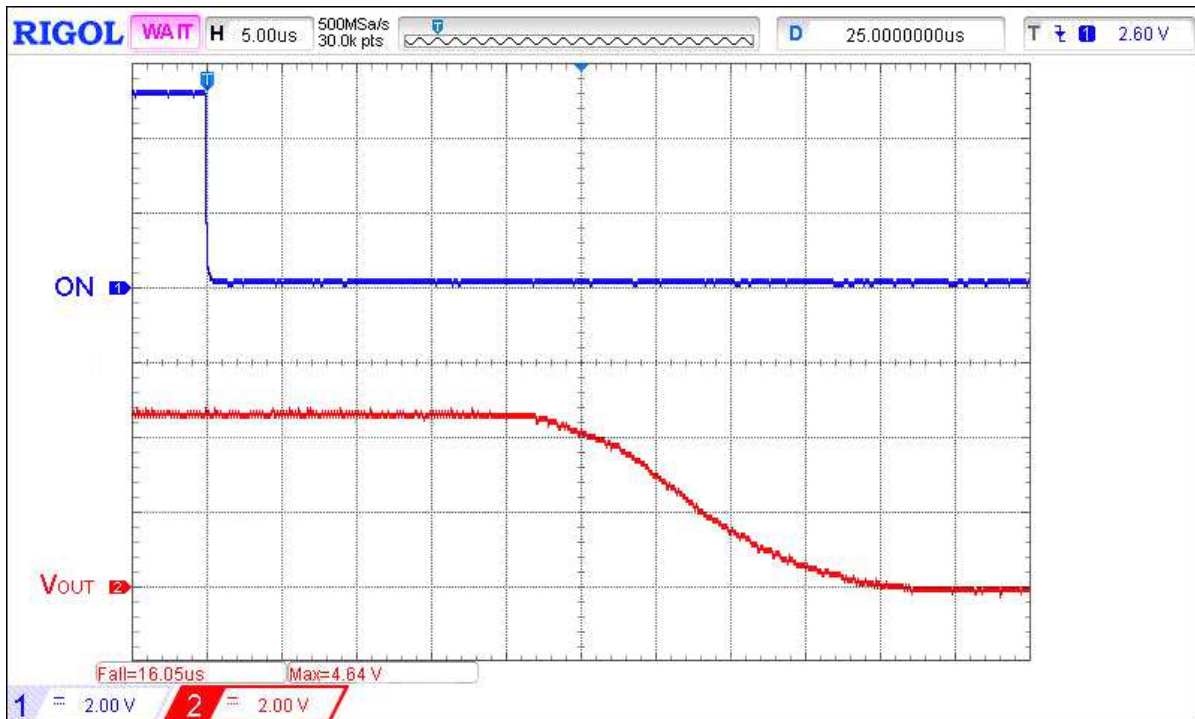


Figure 6. Typical Turn OFF operation waveform for  $V_{IN} = 4.5\text{ V}$ ,  $C_{SLEW} = 10\text{ nF}$ , no  $C_{LOAD}$ ,  $R_{LOAD} = 100\text{ }\Omega$

SLG59H1006V

A 22 V, 13.1 mΩ, 5 A Load Switch  
with  $V_{IN}$  Lockout Select and MOSFET Current Monitor Output

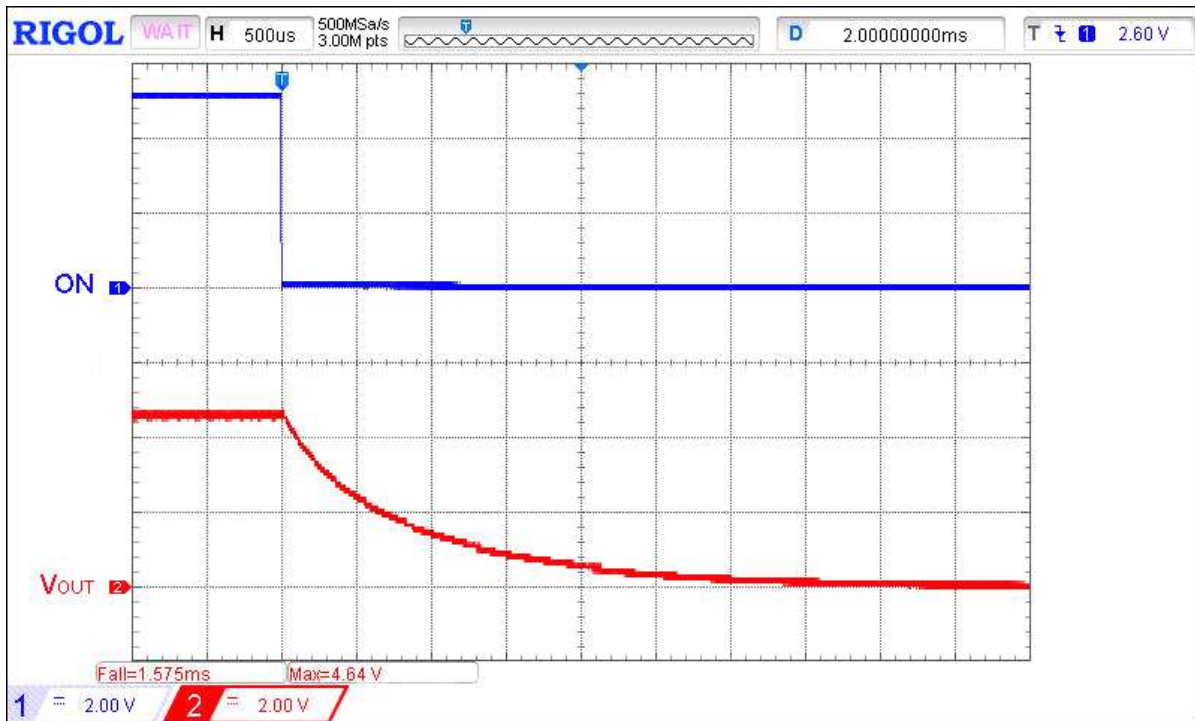


Figure 7. Typical Turn OFF operation waveform for  $V_{IN} = 4.5\text{ V}$ ,  $C_{SLEW} = 10\text{ nF}$ ,  $C_{LOAD} = 10\text{ }\mu\text{F}$ ,  $R_{LOAD} = 100\text{ }\Omega$

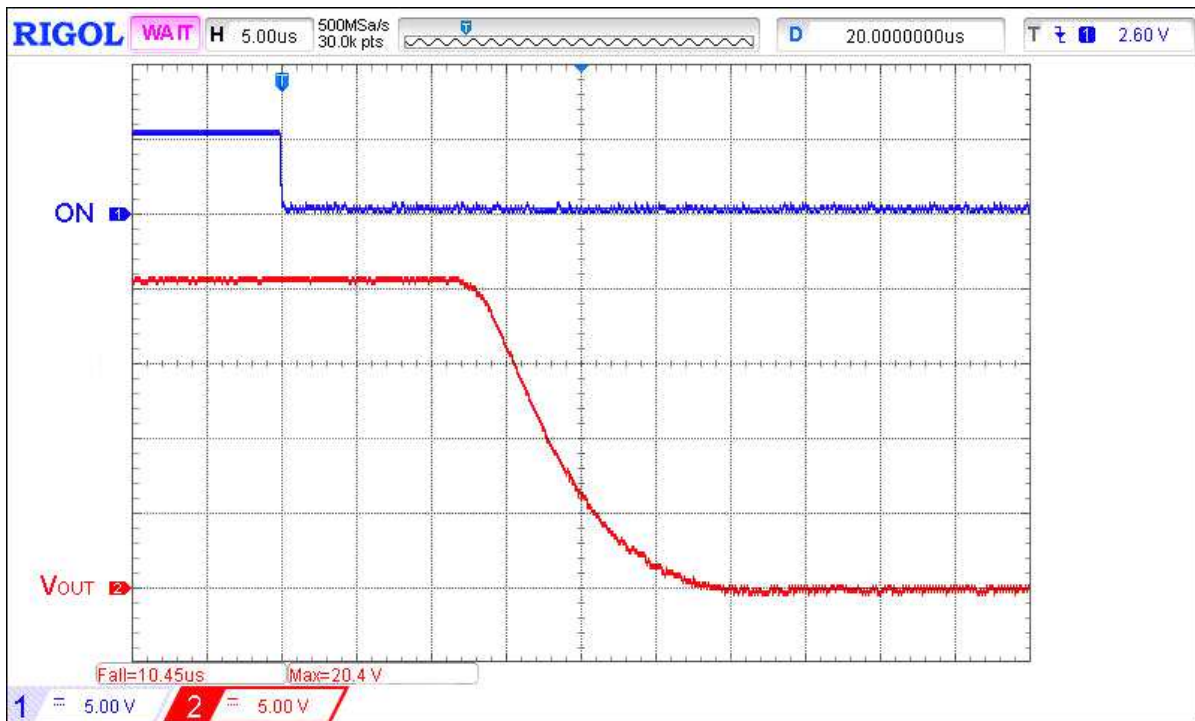


Figure 8. Typical Turn OFF operation waveform for  $V_{IN} = 20\text{ V}$ ,  $C_{SLEW} = 10\text{ nF}$ , no  $C_{LOAD}$ ,  $R_{LOAD} = 100\text{ }\Omega$



SLG59H1006V

A 22 V, 13.1 mΩ, 5 A Load Switch  
with  $V_{IN}$  Lockout Select and MOSFET Current Monitor Output

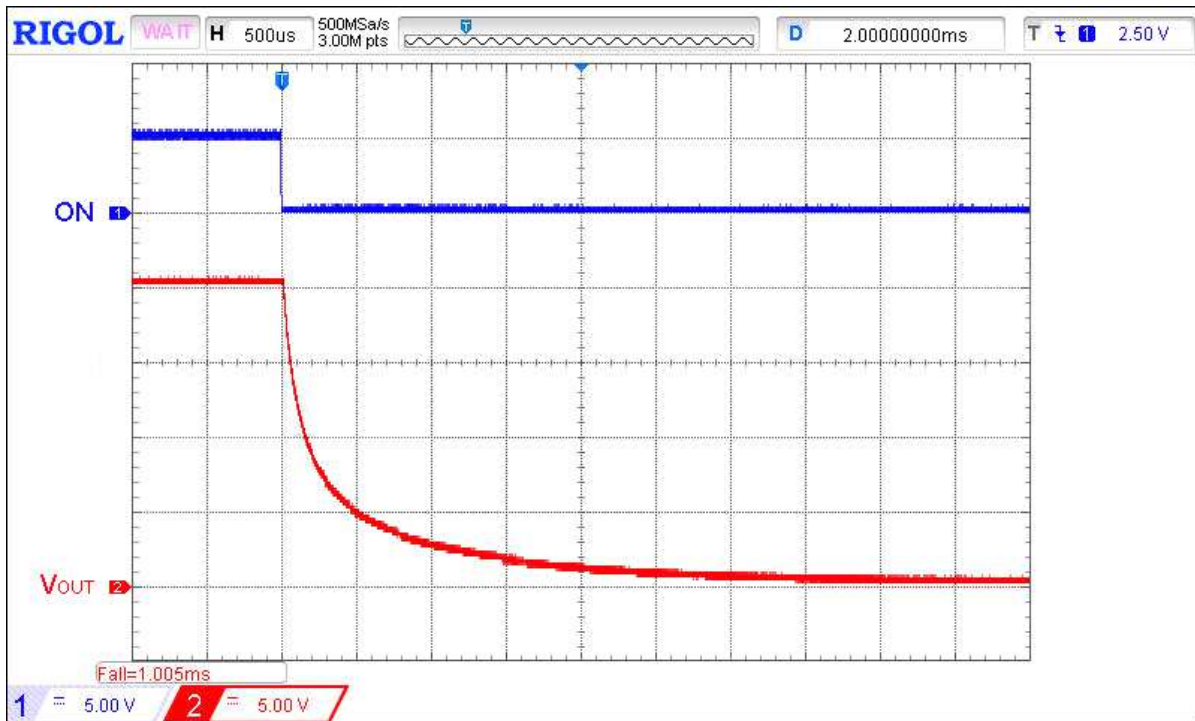


Figure 9. Typical Turn OFF operation waveform for  $V_{IN} = 20\text{ V}$ ,  $C_{SLEW} = 10\text{ nF}$ ,  $C_{LOAD} = 10\text{ }\mu\text{F}$ ,  $R_{LOAD} = 100\text{ }\Omega$

Typical ACL Operation Waveforms

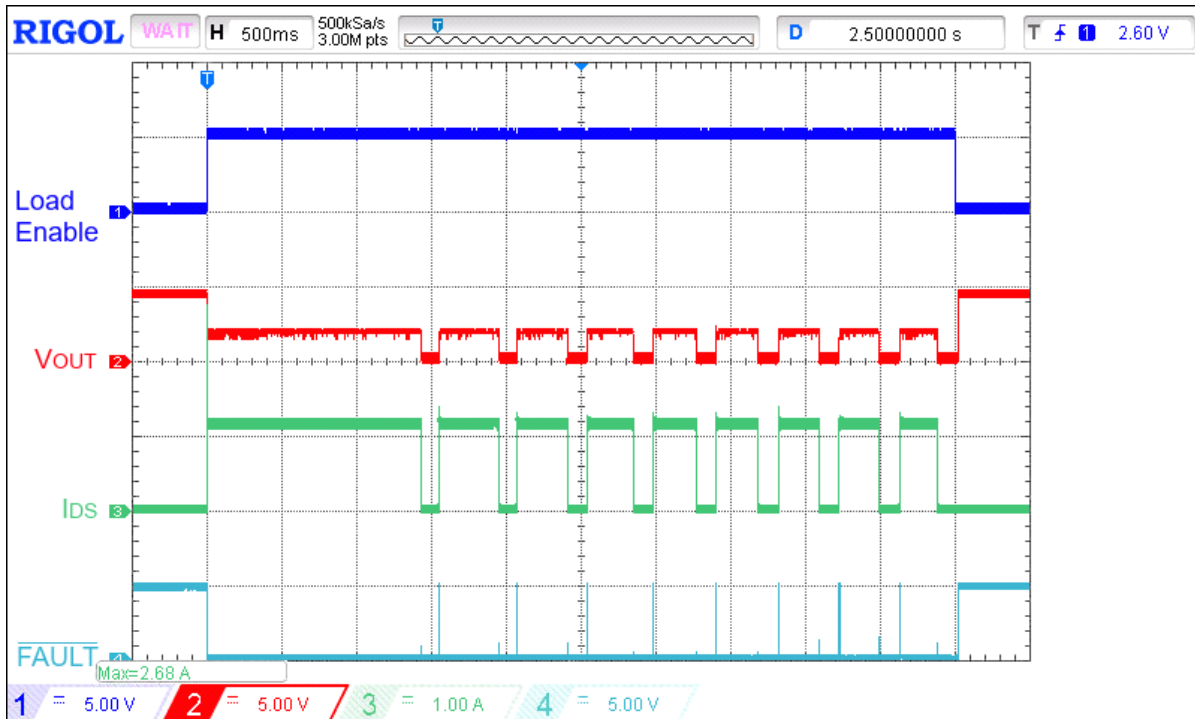


Figure 10. Typical ACL operation waveform for  $V_{IN} = 4.5\text{ V}$ ,  $C_{LOAD} = 10\text{ }\mu\text{F}$ ,  $I_{ACL} = 1\text{ A}$ ,  $R_{SET} = 91\text{ k}\Omega$

SLG59H1006V

A 22 V, 13.1 mΩ, 5 A Load Switch  
with  $V_{IN}$  Lockout Select and MOSFET Current Monitor Output

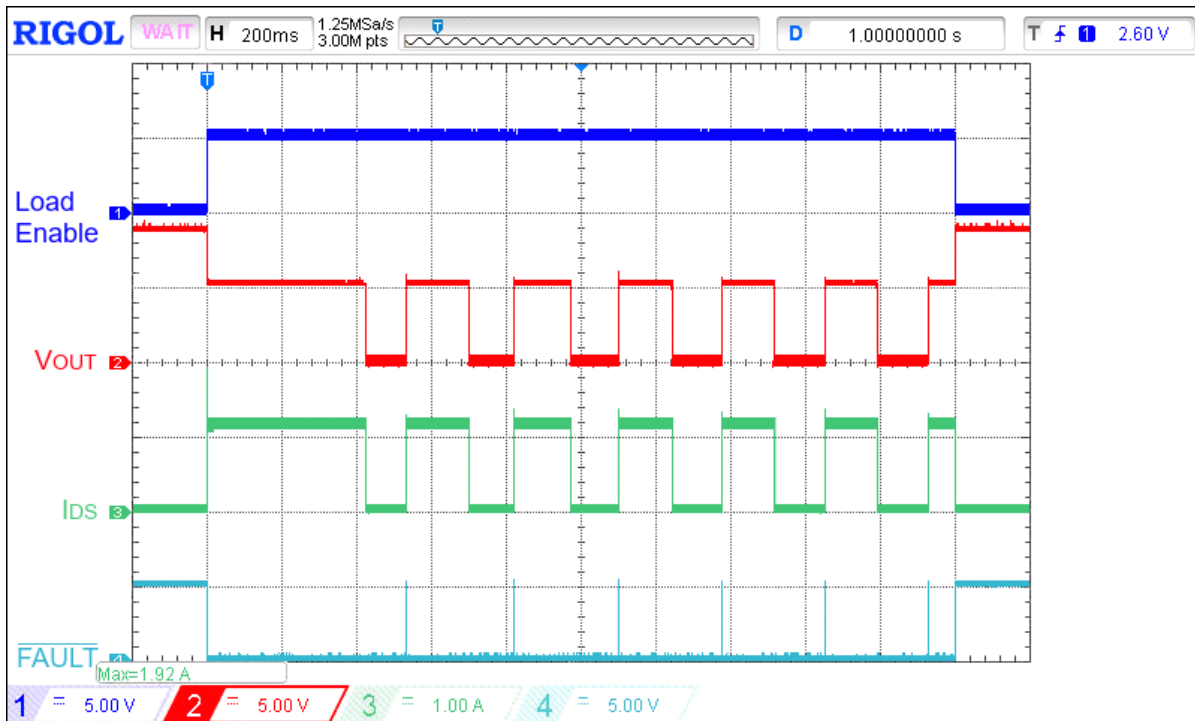


Figure 11. Typical ACL operation waveform for  $V_{IN} = 9\text{ V}$ ,  $C_{LOAD} = 10\ \mu\text{F}$ ,  $I_{ACL} = 1\text{ A}$ ,  $R_{SET} = 91\text{ k}\Omega$

Typical SOA Waveforms

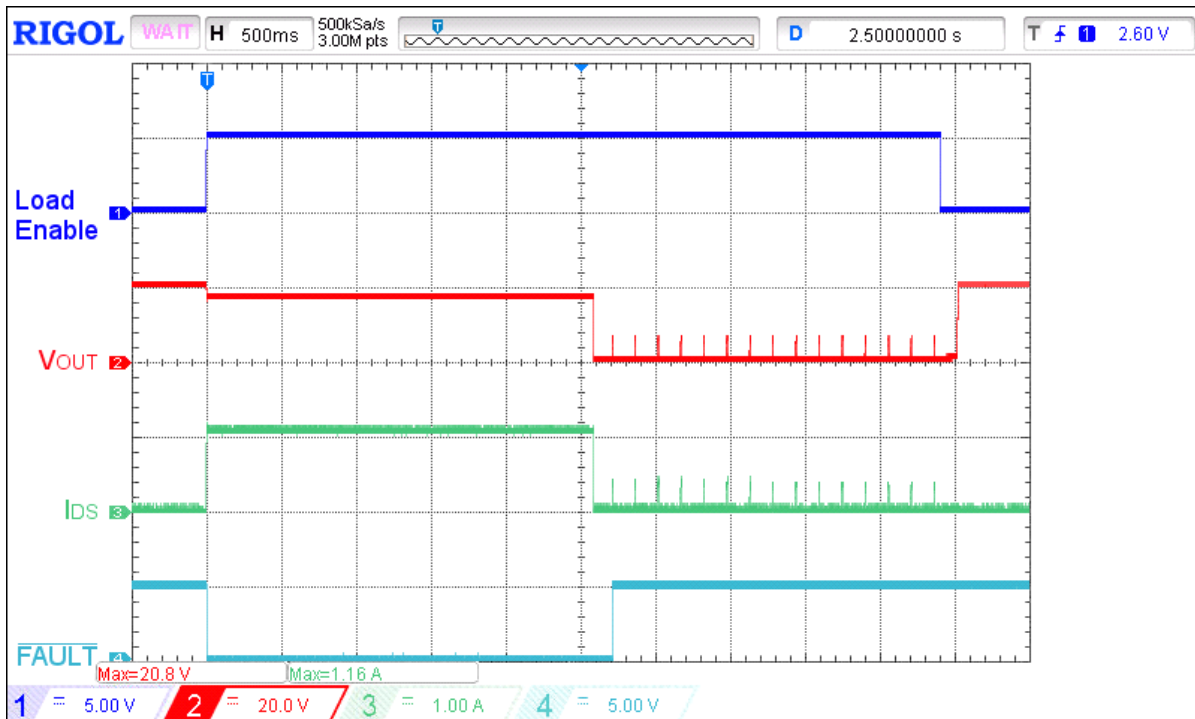


Figure 12. Thermally induced SOA shutdown for  $V_{IN} = 20\text{ V}$ ,  $C_{LOAD} = 10\ \mu\text{F}$ ,  $I_{ACL} = 1\text{ A}$ ,  $R_{SET} = 91\text{ k}\Omega$

SLG59H1006V

A 22 V, 13.1 mΩ, 5 A Load Switch  
with  $V_{IN}$  Lockout Select and MOSFET Current Monitor Output

Typical FAULT Operation Waveforms

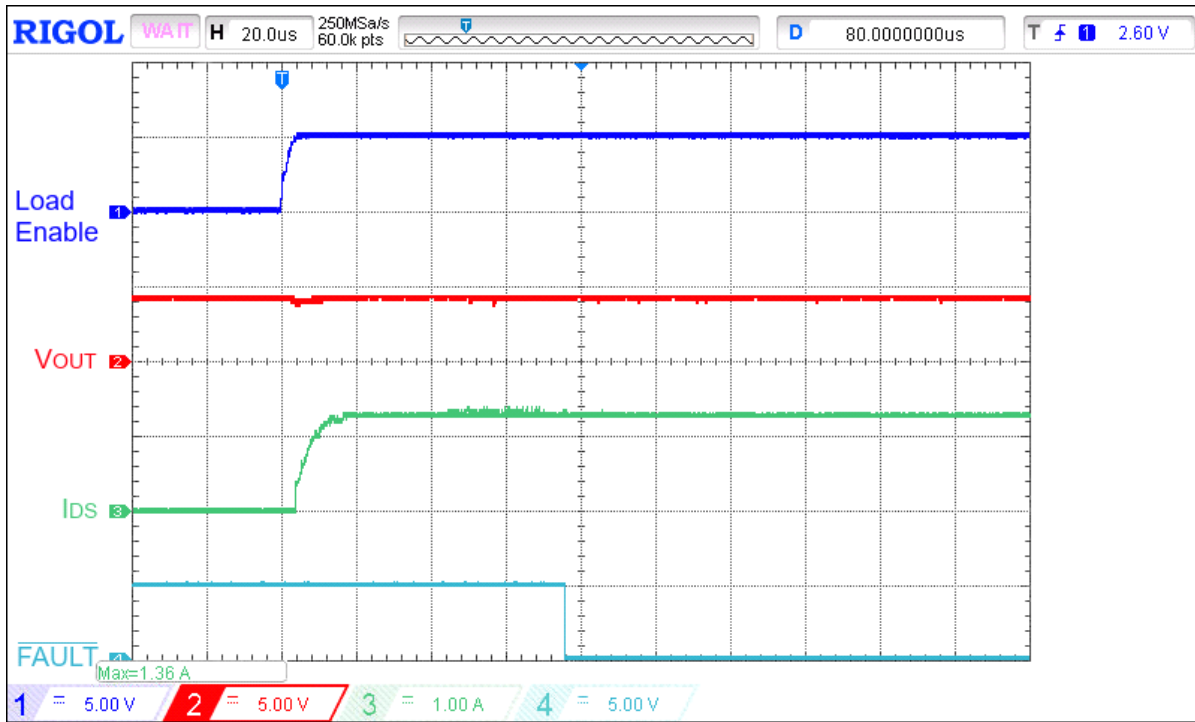


Figure 13. Typical FAULT assertion waveform for  $V_{IN} = 4.5\text{ V}$ ,  $C_{LOAD} = 10\ \mu\text{F}$ ,  $I_{ACL} = 1\ \text{A}$ ,  $R_{SET} = 91\ \text{k}\Omega$ , switch on  $3.3\ \Omega$  load

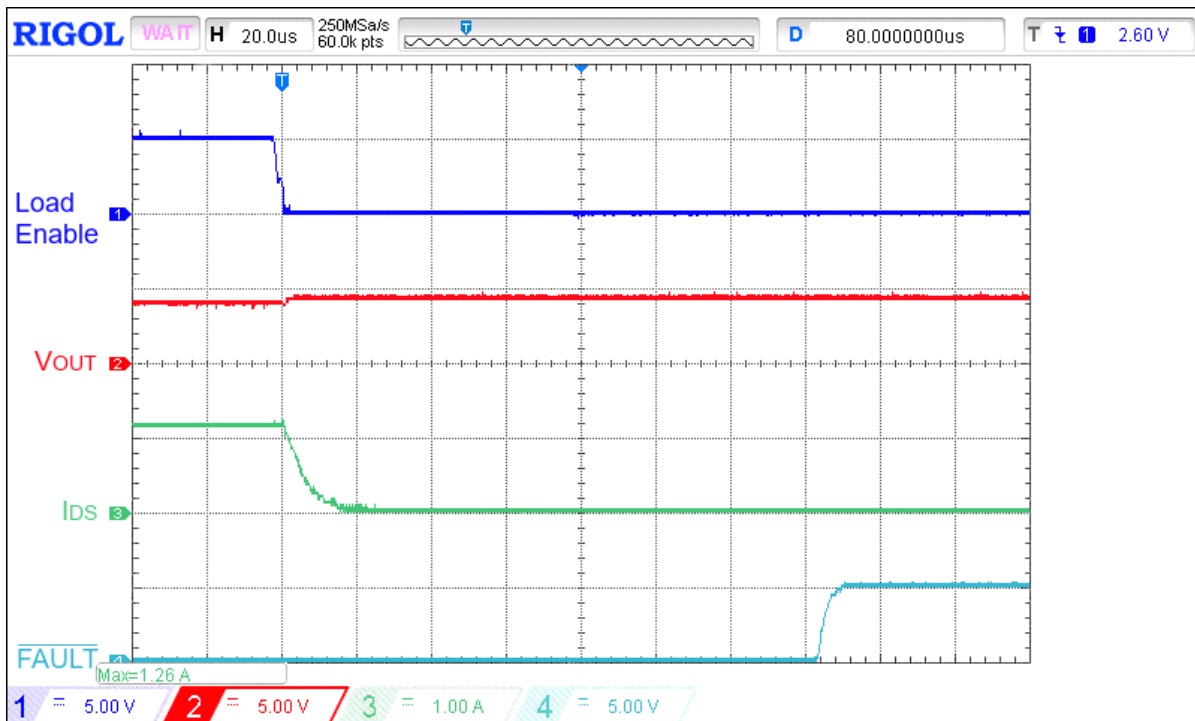


Figure 14. Typical FAULT de-assertion waveform for  $V_{IN} = 4.5\text{ V}$ ,  $C_{LOAD} = 10\ \mu\text{F}$ ,  $I_{ACL} = 1\ \text{A}$ ,  $R_{SET} = 91\ \text{k}\Omega$ , switch out  $3.3\ \Omega$  load

SLG59H1006V

A 22 V, 13.1 mΩ, 5 A Load Switch  
with  $V_{IN}$  Lockout Select and MOSFET Current Monitor Output

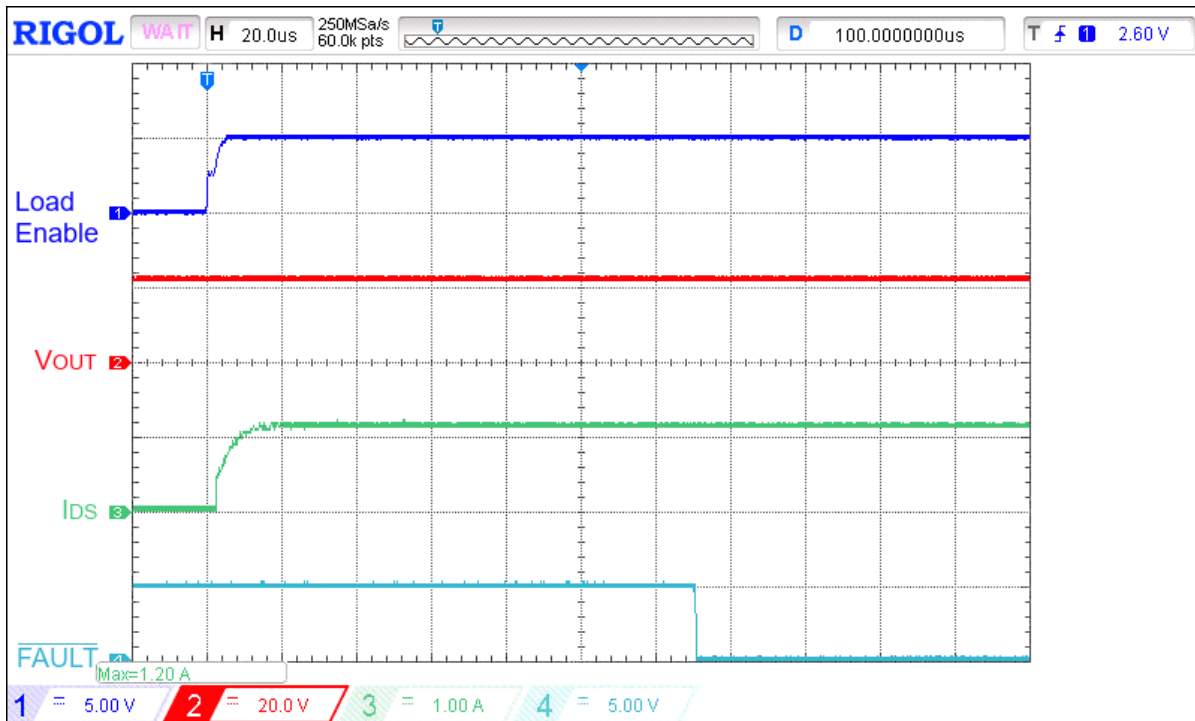


Figure 15. Typical  $\overline{\text{FAULT}}$  assertion waveform for  $V_{IN} = 22\text{ V}$ ,  $C_{\text{LOAD}} = 10\ \mu\text{F}$ ,  $I_{\text{ACL}} = 1\ \text{A}$ ,  $R_{\text{SET}} = 91\ \text{k}\Omega$ , switch on  $20\ \Omega$  load

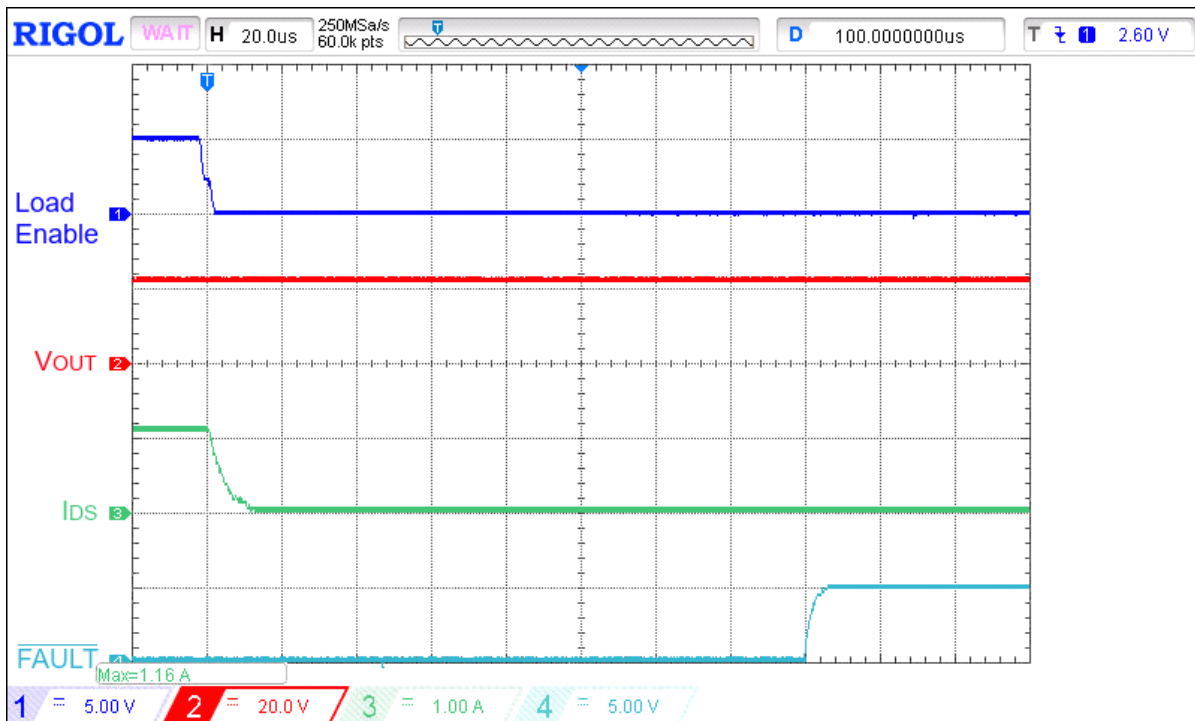


Figure 16. Typical  $\overline{\text{FAULT}}$  de-assertion waveform for  $V_{IN} = 22\text{ V}$ ,  $C_{\text{LOAD}} = 10\ \mu\text{F}$ ,  $I_{\text{ACL}} = 1\ \text{A}$ ,  $R_{\text{SET}} = 91\ \text{k}\Omega$ , switch out  $20\ \Omega$  load

## SLG59H1006V

A 22 V, 13.1 mΩ, 5 A Load Switch  
with  $V_{IN}$  Lockout Select and MOSFET Current Monitor Output

### Applications Information

#### High Voltage GreenFET Safe Operating Area Explained

Renesas's High Voltage GreenFET load switches incorporate a number of internal protection features that prevents them from damaging themselves or any other circuit or subcircuit downstream of them. One particular protection feature is their Safe Operation Area (SOA) protection. SOA protection is automatically activated under overpower and, in some cases, under overcurrent conditions. Overpower SOA is activated if package power dissipation exceeds an internal 5 W threshold longer than 2.5 ms. High Voltage GreenFET devices will quickly switch off (open circuit) upon overpower detection and automatically resume (close) nominal operation once overpower condition no longer exists.

One possible way to have an overpower condition trigger SOA protection is when High Voltage GreenFET products are enabled into heavy output resistive loads and/or into large load capacitors. It is under these conditions to follow carefully the "Safe Start-up Loading" guidance in the Applications section of the datasheet. During an overcurrent condition, High Voltage GreenFET devices will try to limit the output current to the level set by the external  $R_{SET}$  resistor. Limiting the output current, however, causes an increased voltage drop across the FET's channel because the FET's  $R_{DS_{ON}}$  increased as well. Since the FET's  $R_{DS_{ON}}$  is larger, package power dissipation also increases. If the resultant increase in package power dissipation is higher/equal than 5 W for longer than 2.5 ms, internal SOA protection will be triggered and the FET will open circuit (switch off). Every time SOA protection is triggered, all High Voltage GreenFET devices will automatically attempt to resume nominal operation after 160 ms.

#### Safe Start-up Condition

SLG59H1006V has built-in protection to prevent over-heating during start-up into a heavy load. Overloading the  $V_{OUT}$  pin with a capacitor and a resistor may result in non-monotonic  $V_{OUT}$  ramping. In general, under light loading on  $V_{OUT}$ ,  $V_{OUT}$  ramping can be controlled with  $C_{SLEW}$  value. The following equation serves as a guide:

$$C_{SLEW} = \frac{T_{RISE}}{V_{IN}} \times 4.9 \mu A \times \frac{20}{3}$$

where

$T_{RISE}$  = Total rise time from 10%  $V_{OUT}$  to 90%  $V_{OUT}$

$V_{IN}$  = Input Voltage

$C_{SLEW}$  = Capacitor value for CAP pin

When capacitor and resistor loading on  $V_{OUT}$  during start up, the following tables will ensure  $V_{OUT}$  ramping is monotonic without triggering internal protection:

| Safe Start-up Loading for $V_{IN} = 12$ V (Monotonic Ramp) |                              |                 |                |
|--|------------------------------|-----------------|----------------|
| Slew Rate (V/ms)   | $C_{SLEW}$ (nF) <sup>2</sup> | $C_{LOAD}$ (μF) | $R_{LOAD}$ (Ω) |
| 1  | 33.3                         | 500             | 20             |
| 2  | 16.7                         | 250             | 20             |
| 3  | 11.1                         | 160             | 20             |
| 4  | 8.3                          | 120             | 20             |
| 5  | 6.7                          | 100             | 20             |

## SLG59H1006V

A 22 V, 13.1 mΩ, 5 A Load Switch  
with  $V_{IN}$  Lockout Select and MOSFET Current Monitor Output

| Safe Start-up Loading for $V_{IN} = 22$ V (Monotonic Ramp) |                              |                 |                |
|--|------------------------------|-----------------|----------------|
| Slew Rate (V/ms)   | $C_{SLEW}$ (nF) <sup>2</sup> | $C_{LOAD}$ (μF) | $R_{LOAD}$ (Ω) |
| 0.5  | 66.7                         | 500             | 80             |
| 1.0  | 33.3                         | 250             | 80             |
| 1.5  | 22.2                         | 160             | 80             |
| 2.0  | 16.7                         | 120             | 80             |
| 2.5  | 13.3                         | 100             | 80             |

Note 2: Select the closest-value tolerance capacitor.

### Setting the SLG59H1006V's Active Current Limit

| $R_{SET}$ (kΩ) | Active Current Limit (A) <sup>3</sup> |
|----------------|---------------------------------------|
| 91             | 1                                     |
| 45             | 2                                     |
| 30             | 3                                     |
| 18             | 5                                     |

Note 3: Active Current Limit accuracy is  $\pm 15\%$  over voltage range and over temperature range.

### Setting the SLG59H1006V's Input Overvoltage Lockout Threshold

As shown in the table below, SEL[1,0] selects the  $V_{IN}$  overvoltage threshold at which the SLG59H1006V's internal state machine will turn OFF (open circuit) the power MOSFET if  $V_{IN}$  exceeds the selected threshold.

| SEL1 | SEL0 | $V_{IN(OVLO)}$ (Typ) |
|------|------|----------------------|
| 0    | 0    | 6 V                  |
| 0    | 1    | 10.8 V               |
| 1    | 0    | 14.4 V               |
| 1    | 1    | 24 V                 |

For example, SEL[1,1] would be the most appropriate setting for applications where the steady-state  $V_{IN}$  can extend up to 20 V without causing any damage to the SLG59H1006V since the IC is 29-V tolerant.

With an activated SLG59H1006V (ON=HIGH) and at any time  $V_{IN}$  crosses the programmed  $V_{IN}$  overvoltage threshold, the state machine opens the load switch and asserts the  $\overline{FAULT}_{LOW}$  pin within  $T_{FAULT\_LOW}$ .

In applications with a deactivated or inactive SLG59H1006V ( $V_{IN} > V_{IN(UVLO)}$  and ON=LOW) and if the applied  $V_{IN}$  is higher than the programmed  $V_{IN(OVLO)}$  threshold, the SLG59H1006V's state machine will keep the load switch open circuited if the ON pin is toggled LOW-to-HIGH. In these cases, the  $\overline{FAULT}_{LOW}$  pin will also be asserted within  $T_{FAULT\_LOW}$  and will remain asserted until  $V_{IN}$  resumes nominal, steady-state operation.

In all cases, the SLG59H1006V's  $V_{IN}$  undervoltage lockout threshold is fixed at  $V_{IN(UVLO)}$ .

## SLG59H1006V

### A 22 V, 13.1 mΩ, 5 A Load Switch with V<sub>IN</sub> Lockout Select and MOSFET Current Monitor Output

#### Power Dissipation

The junction temperature of the SLG59H1006V depends on different factors such as board layout, ambient temperature, and other environmental factors. The primary contributor to the increase in the junction temperature of the SLG59H1006V is the power dissipation of its power MOSFET. Its power dissipation and the junction temperature in nominal operating mode can be calculated using the following equations:

$$PD = RDS_{ON} \times I_{DS}^2$$

where:

PD = Power dissipation, in Watts (W)

RDS<sub>ON</sub> = Power MOSFET ON resistance, in Ohms (Ω)

I<sub>DS</sub> = Output current, in Amps (A)

and

$$T_J = PD \times \theta_{JA} + T_A$$

where:

T<sub>J</sub> = Junction temperature, in Celsius degrees (°C)

θ<sub>JA</sub> = Package thermal resistance, in Celsius degrees per Watt (°C/W)

T<sub>A</sub> = Ambient temperature, in Celsius degrees (°C)

In current-limit mode, the SLG59H1006V's power dissipation can be calculated by taking into account the voltage drop across the load switch (V<sub>IN</sub>-V<sub>OUT</sub>) and the magnitude of the output current in current-limit mode (I<sub>ACL</sub>):

$$PD = (V_{IN} - V_{OUT}) \times I_{ACL} \text{ or}$$

$$PD = (V_{IN} - (R_{LOAD} \times I_{ACL})) \times I_{ACL}$$

where:

PD = Power dissipation, in Watts (W)

V<sub>IN</sub> = Input Voltage, in Volts (V)

R<sub>LOAD</sub> = Load Resistance, in Ohms (Ω)

I<sub>ACL</sub> = Output limited current, in Amps (A)

V<sub>OUT</sub> = R<sub>LOAD</sub> × I<sub>ACL</sub>

#### Layout Guidelines:

1. Since the VIN and VOUT pins dissipate most of the heat generated during high-load current operation, it is highly recommended to make power traces as short, direct, and wide as possible. A good practice is to make power traces with an absolute minimum widths of 15 mils (0.381 mm) per Ampere. A representative layout, shown in [Figure 17](#), illustrates proper techniques for heat to transfer as efficiently as possible out of the device;
2. To minimize the effects of parasitic trace inductance on normal operation, it is recommended to connect input C<sub>IN</sub> and output C<sub>LOAD</sub> low-ESR capacitors as close as possible to the SLG59H1006V's VIN and VOUT pins;
3. The GND pin should be connected to system analog or power ground plane.
4. 2 oz. copper is recommended for high current operation.

SLG59H1006V

A 22 V, 13.1 mΩ, 5 A Load Switch with  $V_{IN}$  Lockout Select and MOSFET Current Monitor Output

SLG59H1006V Evaluation Board:

A High Voltage GreenFET Evaluation Board for SLG59H1006V is designed according to the statements above and is illustrated on Figure 17. Please note that evaluation board has D\_Sense and S\_Sense pads. They cannot carry high currents and dedicated only for  $R_{DS_{ON}}$  evaluation.

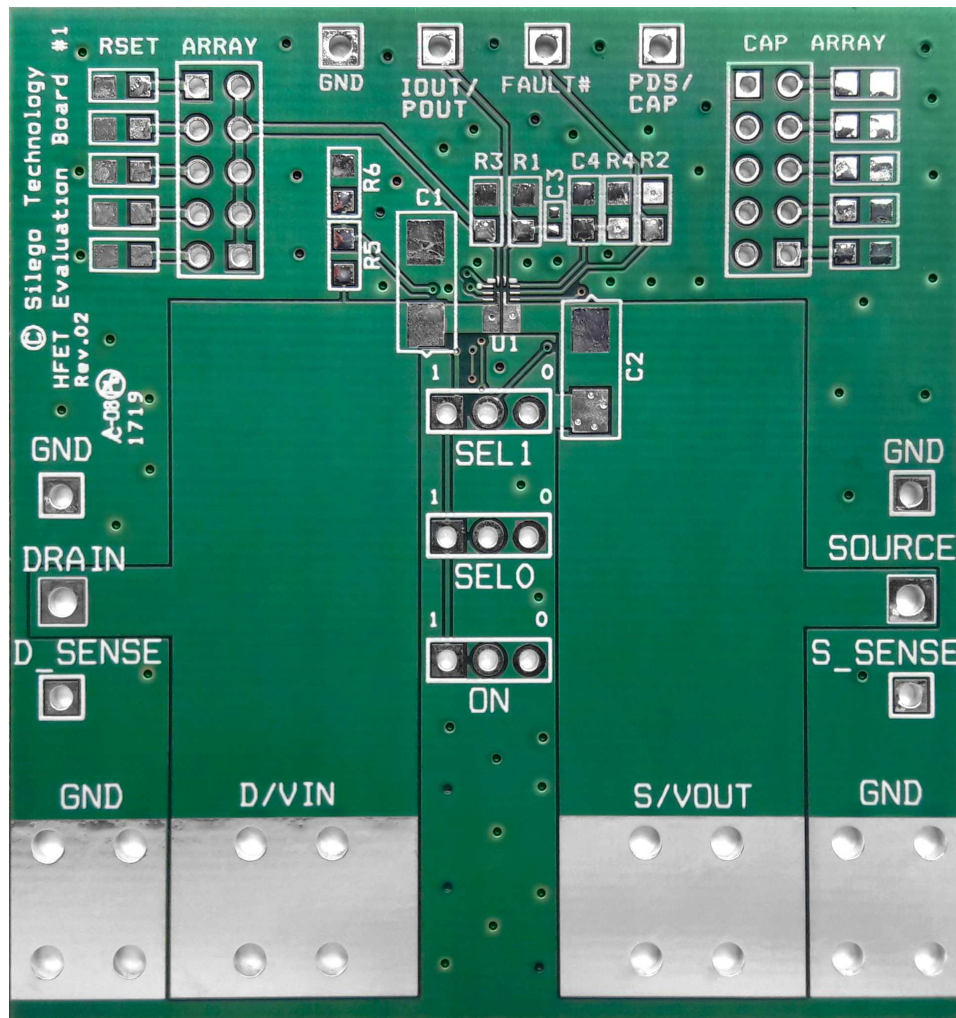


Figure 17. SLG59H1006V Evaluation Board



SLG59H1006V

A 22 V, 13.1 mΩ, 5 A Load Switch with  $V_{IN}$  Lockout Select and MOSFET Current Monitor Output

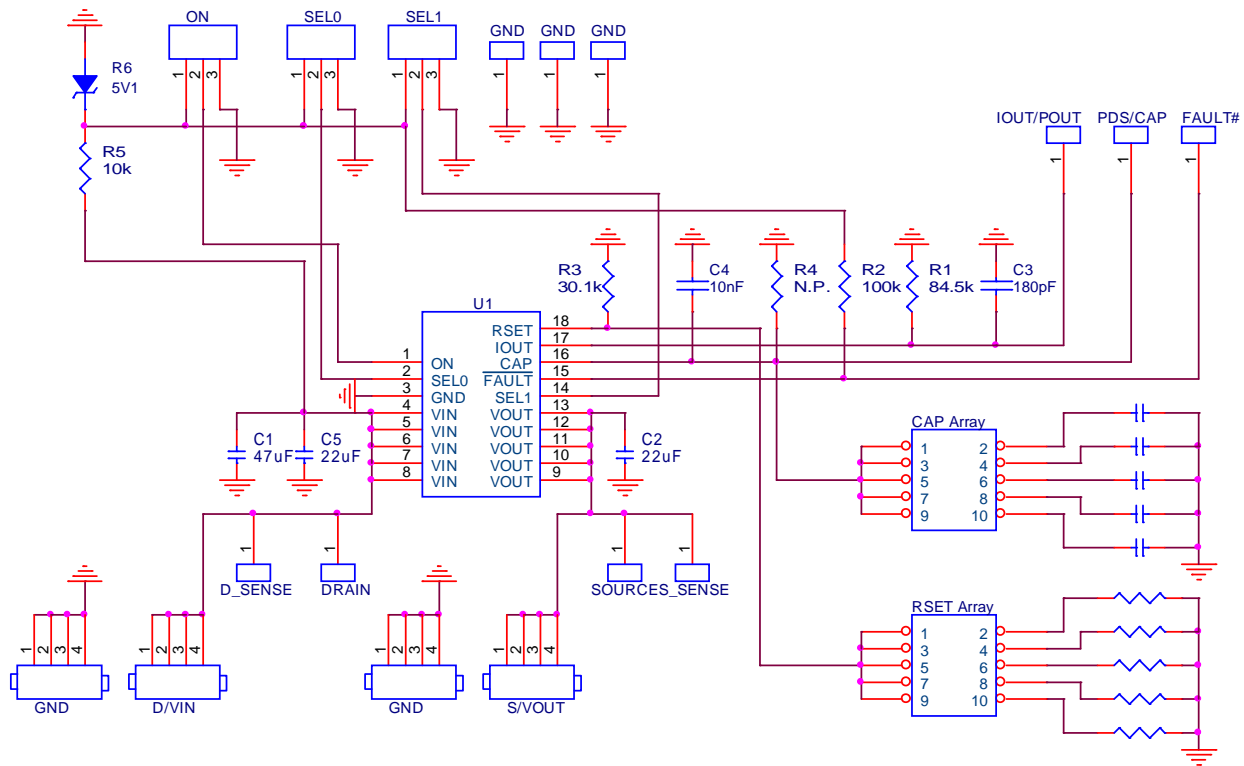


Figure 18. SLG59H1006V Evaluation Board Connection Circuit

Basic Test Setup and Connections

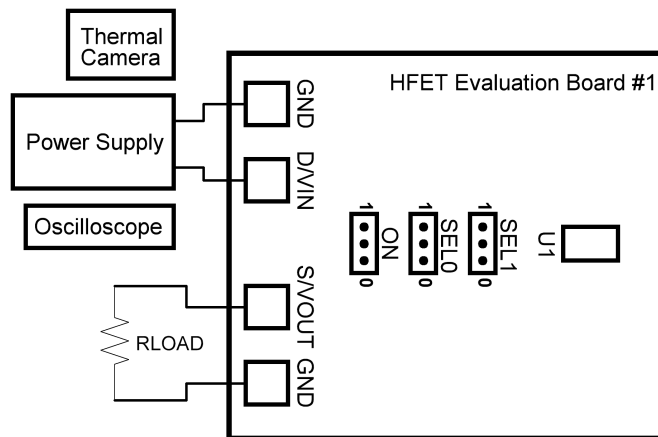


Figure 19. SLG59H1006V Evaluation Board Connection Circuit

EVB Configuration

1. Based on  $V_{IN}$  voltage, set SEL0, SEL1 to GND or 5 V to configure OVLO;
2. Connect oscilloscope probes to D/VIN, S/VOUT, ON, etc.;
3. Turn on Power Supply and set desired  $V_{IN}$  from 4.5 V...22 V range;
4. Toggle the ON signal High or Low to observe SLG59H1006V operation.

SLG59H1006V

A 22 V, 13.1 mΩ, 5 A Load Switch with  $V_{IN}$  Lockout Select and MOSFET Current Monitor Output

Test Result

Using thermal camera, we tested thermal distribution on the PCB after 2 min power up at  $V_{IN} = 20\text{ V}$  and  $I_{DS} = 4.5\text{ A}$ . Please note how evenly temperature is distributed on the PCB that prove a proper design of PCB and thus other components around High Voltage GreenFET will be not overheated. High Voltage GreenFET temperature is only  $17\text{ }^{\circ}\text{C}$  above the lab ambient temperature. Top left corner displays temperature in the "x" position of thermal camera. Right corner from top to bottom displays full scale of temperatures.

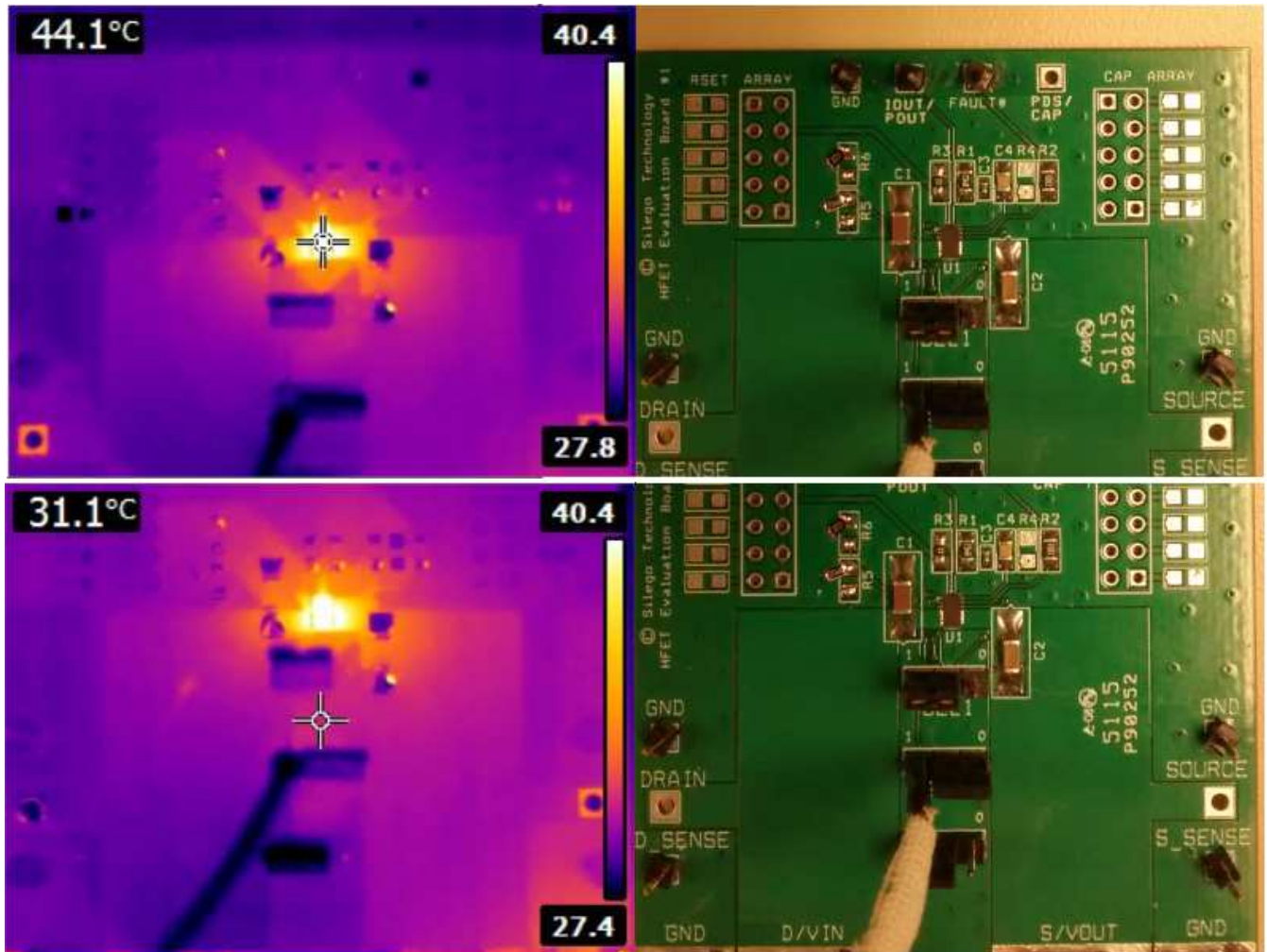
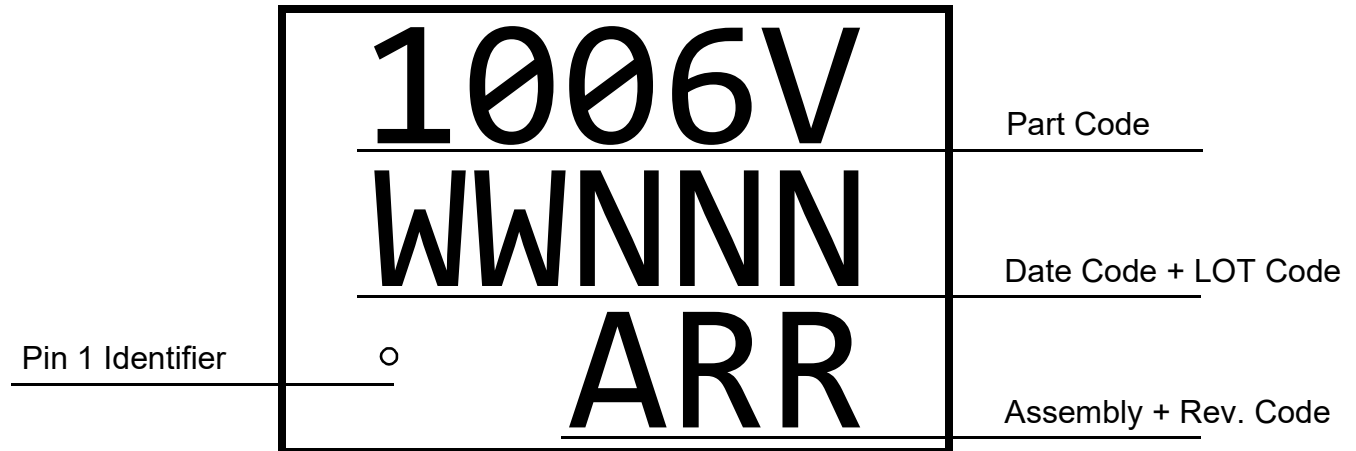


Figure 20. Thermal distribution for  $V_{IN} = 20\text{ V}$ ,  $I_{DS} = 4.5\text{ A}$  after 2 min power up

**SLG59H1006V**

A 22 V, 13.1 mΩ, 5 A Load Switch  
with V<sub>IN</sub> Lockout Select and MOSFET Current Monitor Output

**Package Top Marking System Definition**



- 1006V - Part ID Field
- WW - Date Code Field<sup>1</sup>
- NNN - Lot Traceability Code Field<sup>1</sup>
- A - Assembly Site Code Field<sup>2</sup>
- RR - Part Revision Code Field<sup>2</sup>

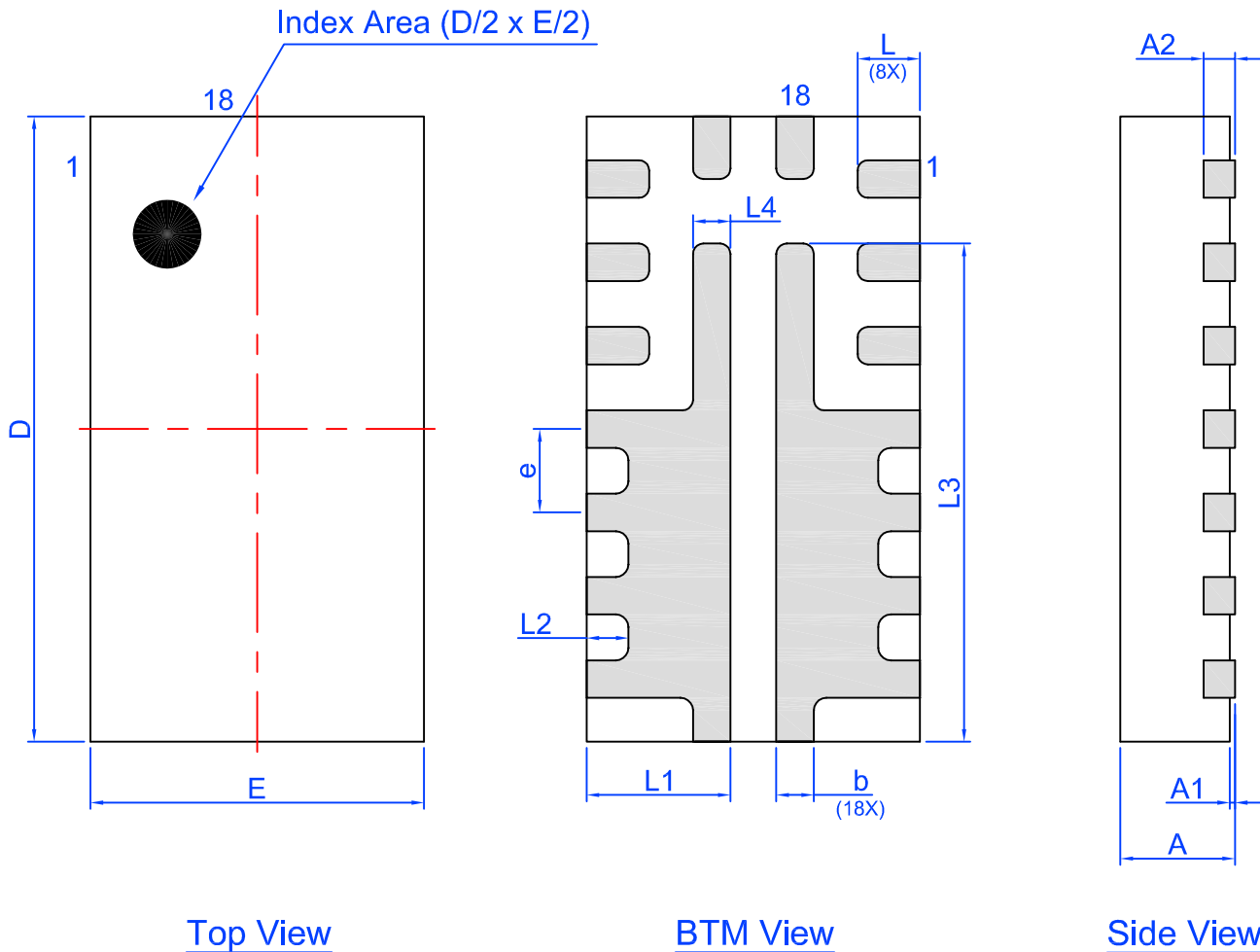
Note 1: Each character in code field can be alphanumeric A-Z and 0-9  
 Note 2: Character in code field can be alphabetic A-Z

# SLG59H1006V

A 22 V, 13.1 mΩ, 5 A Load Switch  
with  $V_{IN}$  Lockout Select and MOSFET Current Monitor Output

## Package Drawing and Dimensions

18 Lead TQFN Package 1.6 x 3 mm (Fused Lead)  
JEDEC MO-220, Variation WCEE



Unit: mm

| Symbol | Min      | Nom. | Max  | Symbol | Min  | Nom. | Max  |
|--------|----------|------|------|--------|------|------|------|
| A      | 0.50     | 0.55 | 0.60 | D      | 2.95 | 3.00 | 3.05 |
| A1     | 0.005    | -    | 0.05 | E      | 1.55 | 1.60 | 1.65 |
| A2     | 0.10     | 0.15 | 0.20 | L      | 0.25 | 0.30 | 0.35 |
| b      | 0.13     | 0.18 | 0.23 | L1     | 0.64 | 0.69 | 0.74 |
| e      | 0.40 BSC |      |      | L2     | 0.15 | 0.20 | 0.25 |
| L3     | 2.34     | 2.39 | 2.44 | L4     | 0.13 | 0.18 | 0.23 |

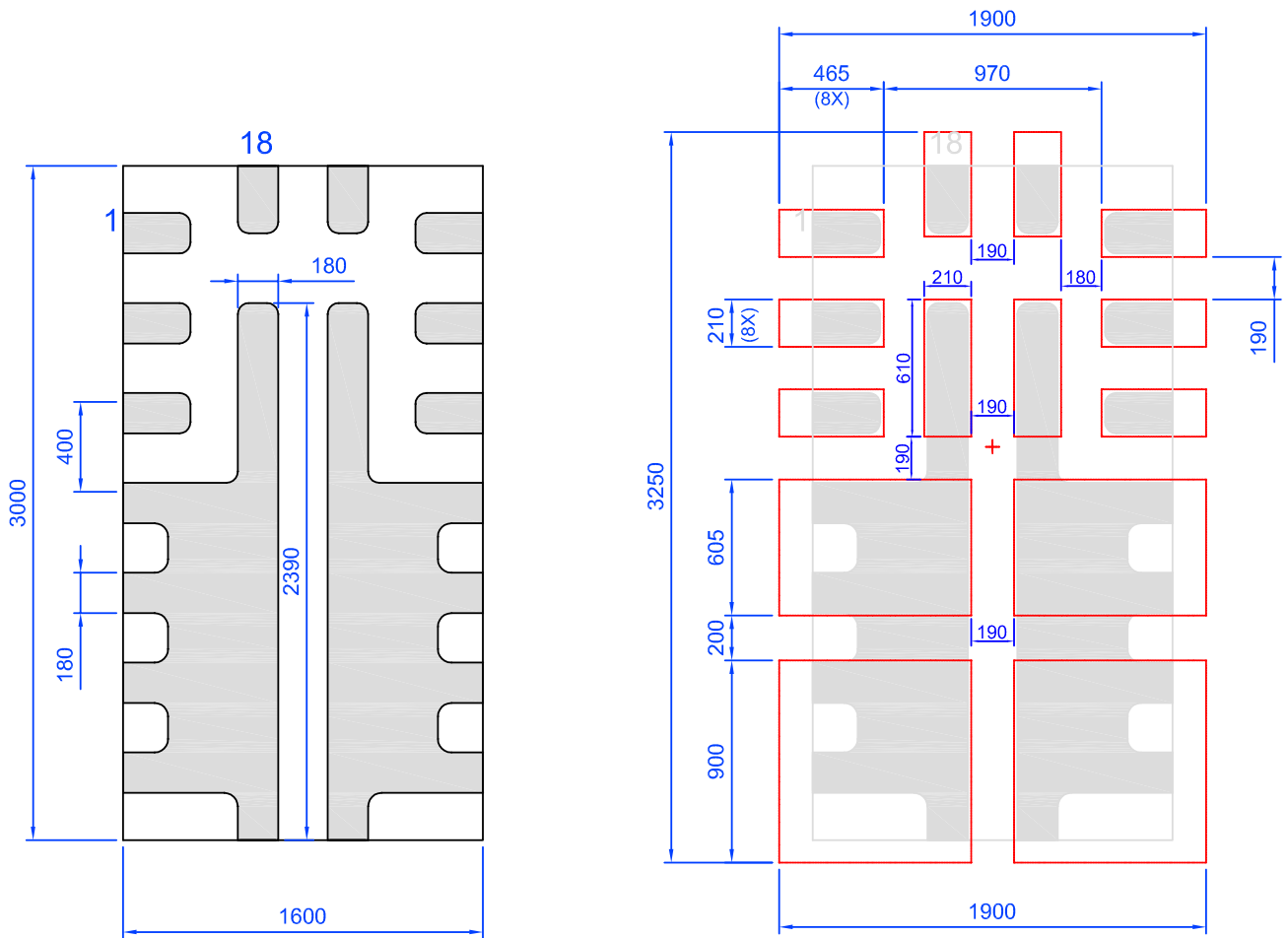
**SLG59H1006V**

A 22 V, 13.1 mΩ, 5 A Load Switch  
with  $V_{IN}$  Lockout Select and MOSFET Current Monitor Output

**SLG59H1006V 18-pin STQFN PCB Landing Pattern**

Exposed Pad  
(PKG face down)

Recommended Land Pattern  
(PKG face down)



Note: All dimensions shown in micrometers ( $\mu\text{m}$ )

## SLG59H1006V

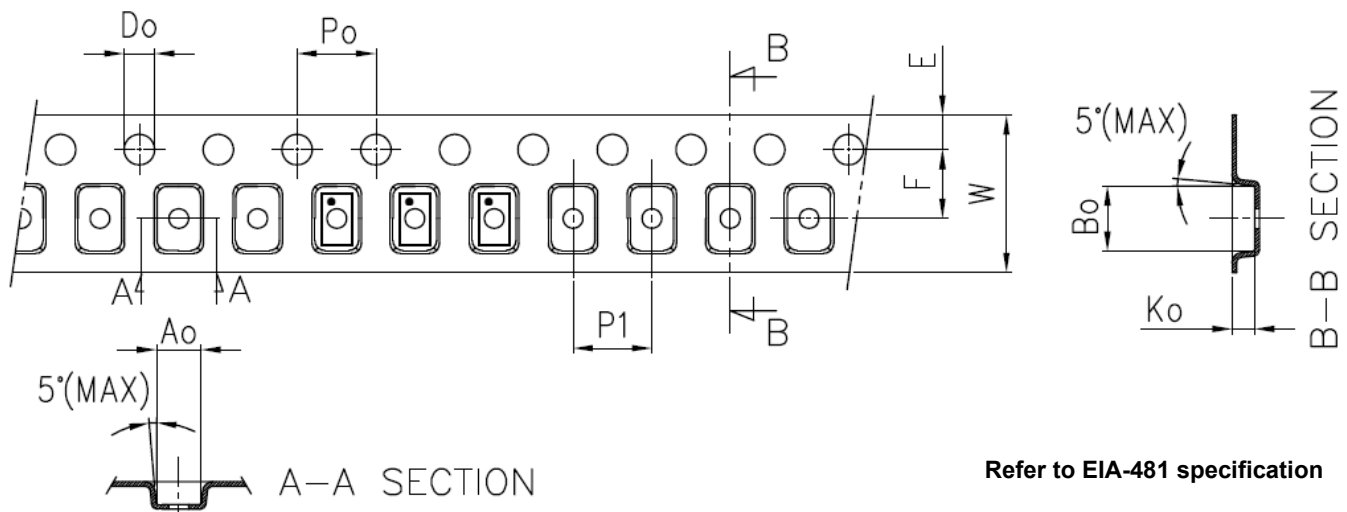
A 22 V, 13.1 mΩ, 5 A Load Switch  
with  $V_{IN}$  Lockout Select and MOSFET Current Monitor Output

### Tape and Reel Specifications

| Package Type                             | # of Pins | Nominal Package Size [mm] | Max Units |         | Reel & Hub Size [mm] | Leader (min) |             | Trailer (min) |             | Tape Width [mm] | Part Pitch [mm] |
|--|-----------|---------------------------|-----------|---------|----------------------|--------------|-------------|---------------|-------------|-----------------|-----------------|
|  |           |                           | per Reel  | per Box |                      | Pockets      | Length [mm] | Pockets       | Length [mm] |                 |                 |
| STQFN 18L<br>1.6x3mm<br>0.4P FC<br>Green | 18        | 1.6 x 3 x 0.55            | 3,000     | 3,000   | 178 / 60             | 100          | 400         | 100           | 400         | 8               | 4               |

### Carrier Tape Drawing and Dimensions

| Package Type                             | Pocket BTM Length | Pocket BTM Width | Pocket Depth | Index Hole Pitch | Pocket Pitch | Index Hole Diameter | Index Hole to Tape Edge | Index Hole to Pocket Center | Tape Width |
|--|-------------------|------------------|--------------|------------------|--------------|---------------------|-------------------------|-----------------------------|------------|
|  | A0                | B0               | K0           | P0               | P1           | D0                  | E                       | F                           | W          |
| STQFN 18L<br>1.6x3mm<br>0.4P FC<br>Green | 1.78              | 3.18             | 0.76         | 4                | 4            | 1.5                 | 1.75                    | 3.5                         | 8          |



### Recommended Reflow Soldering Profile

Please see IPC/JEDEC J-STD-020: latest revision for reflow profile based on package volume of 2.64 mm<sup>3</sup> (nominal). More information can be found at [www.jedec.org](http://www.jedec.org).

## SLG59H1006V

A 22 V, 13.1 mΩ, 5 A Load Switch  
with  $V_{IN}$  Lockout Select and MOSFET Current Monitor Output

### Revision History

| Date       | Version | Change   |
|------------|---------|--|
| 2/2/2022   | 1.02    | Updated Company name and logo<br>Added SOA Protection Threshold to Features<br>Fixed typos                   |
| 12/12/2018 | 1.01    | Updated style and formatting<br>Updated Charts<br>Added Scopeshots<br>Added Layout Guidelines<br>Fixed typos |
| 2/24/2017  | 1.00    | Production Release   |

## IMPORTANT NOTICE AND DISCLAIMER

RENESAS ELECTRONICS CORPORATION AND ITS SUBSIDIARIES (“RENESAS”) PROVIDES TECHNICAL SPECIFICATIONS AND RELIABILITY DATA (INCLUDING DATASHEETS), DESIGN RESOURCES (INCLUDING REFERENCE DESIGNS), APPLICATION OR OTHER DESIGN ADVICE, WEB TOOLS, SAFETY INFORMATION, AND OTHER RESOURCES “AS IS” AND WITH ALL FAULTS, AND DISCLAIMS ALL WARRANTIES, EXPRESS OR IMPLIED, INCLUDING, WITHOUT LIMITATION, ANY IMPLIED WARRANTIES OF MERCHANTABILITY, FITNESS FOR A PARTICULAR PURPOSE, OR NON-INFRINGEMENT OF THIRD-PARTY INTELLECTUAL PROPERTY RIGHTS.

These resources are intended for developers who are designing with Renesas products. You are solely responsible for (1) selecting the appropriate products for your application, (2) designing, validating, and testing your application, and (3) ensuring your application meets applicable standards, and any other safety, security, or other requirements. These resources are subject to change without notice. Renesas grants you permission to use these resources only to develop an application that uses Renesas products. Other reproduction or use of these resources is strictly prohibited. No license is granted to any other Renesas intellectual property or to any third-party intellectual property. Renesas disclaims responsibility for, and you will fully indemnify Renesas and its representatives against, any claims, damages, costs, losses, or liabilities arising from your use of these resources. Renesas' products are provided only subject to Renesas' Terms and Conditions of Sale or other applicable terms agreed to in writing. No use of any Renesas resources expands or otherwise alters any applicable warranties or warranty disclaimers for these products.

(Disclaimer Rev.1.01 Jan 2024)

### Corporate Headquarters

TOYOSU FORESIA, 3-2-24 Toyosu,  
Koto-ku, Tokyo 135-0061, Japan  
[www.renesas.com](http://www.renesas.com)

### Trademarks

Renesas and the Renesas logo are trademarks of Renesas Electronics Corporation. All trademarks and registered trademarks are the property of their respective owners.

### Contact Information

For further information on a product, technology, the most up-to-date version of a document, or your nearest sales office, please visit [www.renesas.com/contact-us/](http://www.renesas.com/contact-us/).