

8

7

6

5

4

3

2

1

REVISIONS

DCN	REV	DESCRIPTION	DATE	CHANGE BY
	B	INITIAL RELEASE	2010-10-20	D. HUANG

IDT 89HP0602Q (20-QFN) USB 3.0 EVALUATION BOARDS

TABLE OF CONTENTS

89HP0602Q, POWER.....2

89HP0602Q, USB CONNECTORS....3



CONFIDENTIAL PROPERTY OF INTEGRATED DEVICE TECHNOLOGY, INC.
 6024 SILVER CREEK VALLEY ROAD, SAN JOSE, CA 95138
 COPYRIGHT (C) 2010 IDT

TITLE 89HP0602Q Evaluation Boards			
SIZE B	DRAWING NO. P0602Q-U/S-EB-001	FAB P/N 18-702-001	REV. B
AUTHOR K. Leung		CHECKED BY D. Huang	
Thu Oct 21 00:31:38 2010			SHEET 1 OF 3

8

7

6

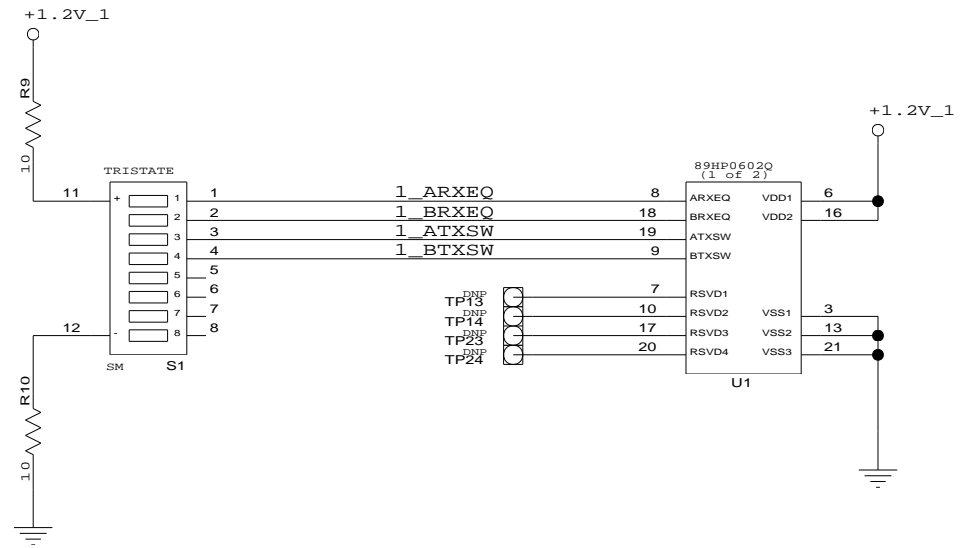
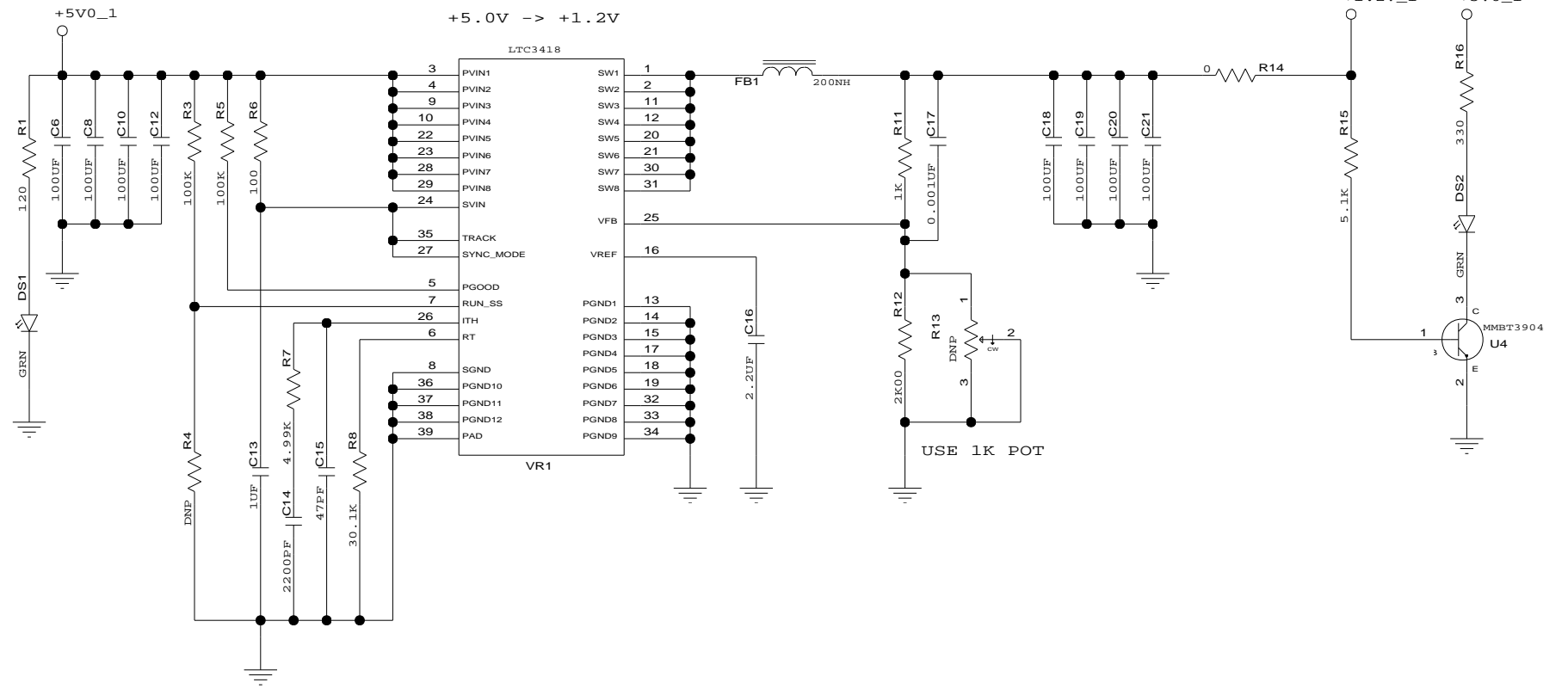
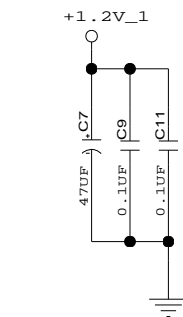
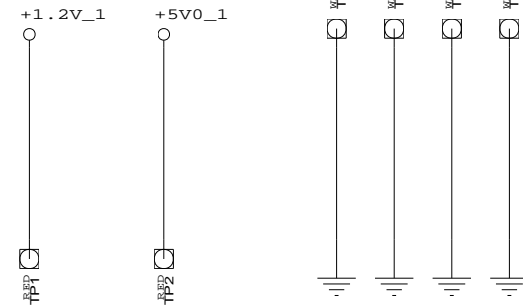
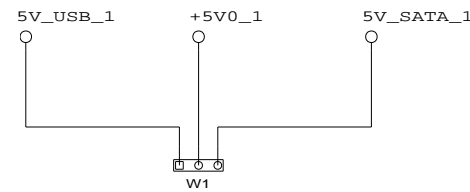
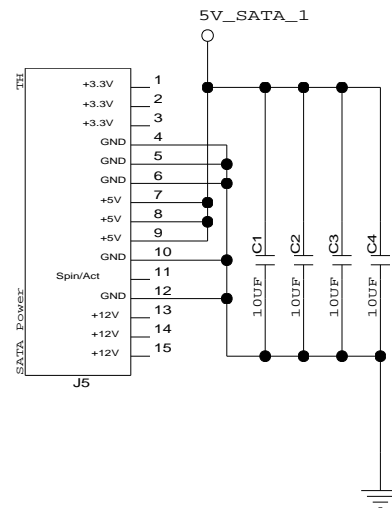
5


4

3

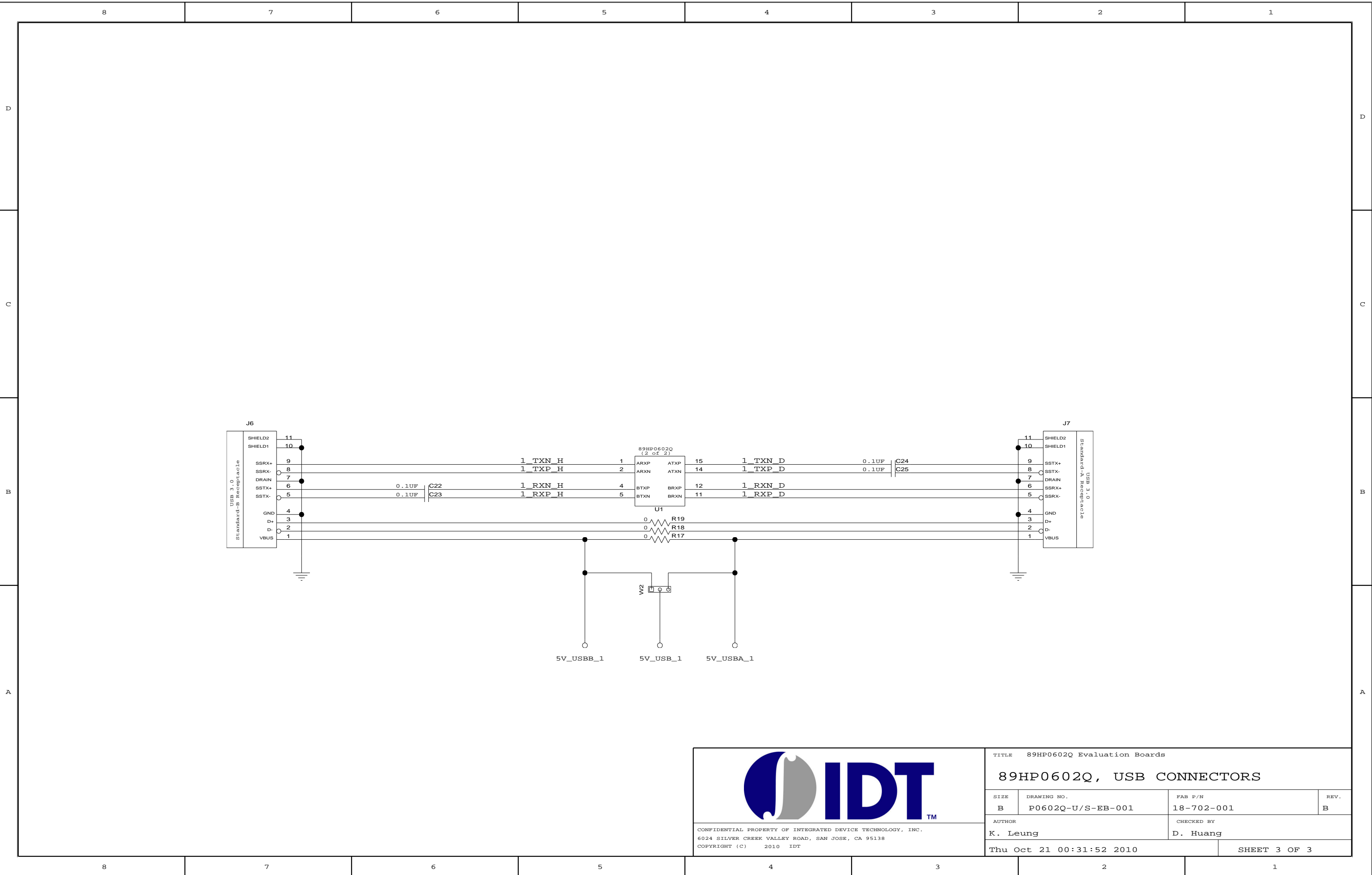
2


1



				TITLE 89HP0602Q Evaluation Boards 89HP0602Q, POWER			
SIZE	DRAWING NO.	FAB P/N	REV.				
B	P0602Q-U/S-EB-001	18-702-001	B				
AUTHOR		CHECKED BY					
K. Leung		D. Huang					
Thu Oct 21 00:31:52 2010				SHEET 2 OF 3			

CONFIDENTIAL PROPERTY OF INTEGRATED DEVICE TECHNOLOGY, INC.
 6024 SILVER CREEK VALLEY ROAD, SAN JOSE, CA 95138
 COPYRIGHT (C) 2010 IDT



				TITLE 89HP0602Q Evaluation Boards			
				89HP0602Q, USB CONNECTORS			
SIZE	DRAWING NO.	FAB P/N	REV.				
B	P0602Q-U/S-EB-001	18-702-001	B				
AUTHOR			CHECKED BY				
K. Leung			D. Huang				
Thu Oct 21 00:31:52 2010				SHEET 3 OF 3			

CONFIDENTIAL PROPERTY OF INTEGRATED DEVICE TECHNOLOGY, INC.
 6024 SILVER CREEK VALLEY ROAD, SAN JOSE, CA 95138
 COPYRIGHT (C) 2010 IDT