

LOW SKEW, 1-TO-6 LVCMOS/LVTTL CLOCK MULTIPLIER/ZERO DELAY BUFFER

ICS87931I-147

Product Discontinuance Notice – Last Time Buy Expires on (7/26/2014)

GENERAL DESCRIPTION

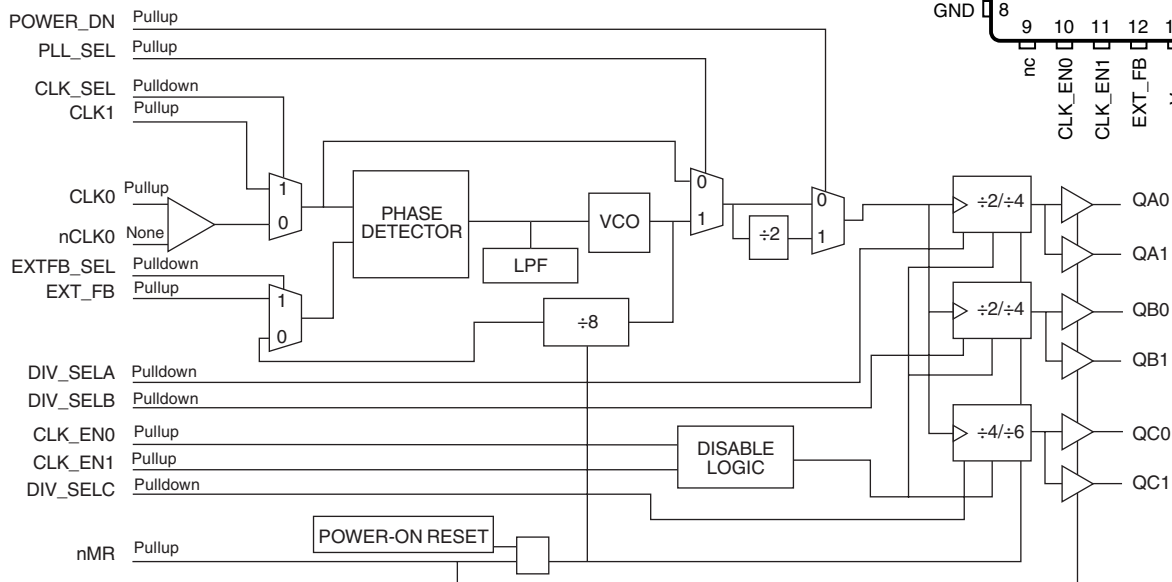
The ICS87931I-147 is a low voltage, low skew LVCMOS/LVTTL Clock Multiplier/Zero Delay Buffer. With output frequencies up to 240MHz, the ICS87931I is targeted for high performance clock applications. Along with a fully integrated PLL, the ICS87931I-147 contains frequency configurable outputs and an external feedback input for regenerating clocks with “zero delay”.

Selectable clock inputs, CLK1 and differential CLK0, nCLK0 support redundant clock applications. The CLK_SEL input determines which reference clock is used. The output divider values of Bank A, B and C are controlled by the DIV_SELA, DIV_SELB and DIV_SELC, respectively.

For test and system debug purposes, the PLL_SEL input allows the PLL to be bypassed. When LOW, the nMR input resets the internal dividers and forces the outputs to the high impedance state.

The effective fanout of the ICS87931I-147 can be increased to 12 by utilizing the ability of each output to drive two series terminated transmission lines.

BLOCK DIAGRAM



FEATURES

- Fully integrated PLL
- Six LVCMOS/LVTTL outputs, 7Ω typical output impedance
- Selectable differential CLK0, nCLK0 or LVCMOS/LVTTL clock for redundant clock applications
- Maximum output frequency: 240MHz
- VCO range: 220MHz to 480MHz
- External feedback for “zero delay” clock regeneration
- Output skew: 165ps (maximum)
- Cycle-to-cycle jitter: 45ps (maximum)
- 3.3V supply voltage
- -40°C to 85°C ambient operating temperature
- Available in both standard (RoHS 5) and lead-free (RoHS 6) packages

PIN ASSIGNMENT

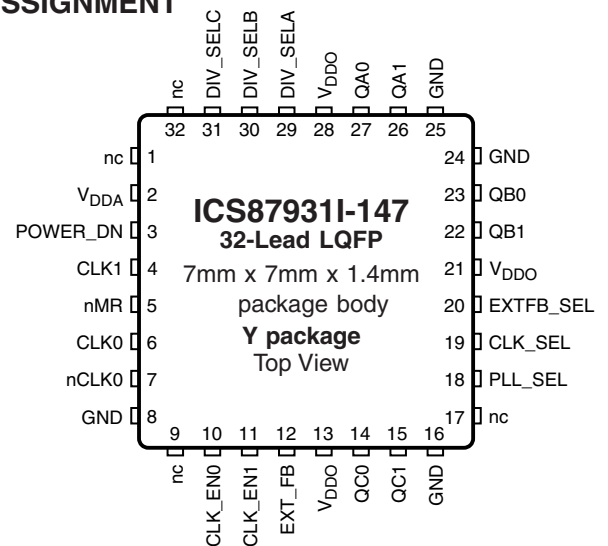


TABLE 1. PIN DESCRIPTIONS

Number	Name	Type		Description
1, 9, 17, 32	nc	Unused		No connect.
2	V _{DDA}	Power		Analog supply pin.
3	POWER_DN	Input	Pullup	Controls the frequency being fed to the output dividers. LVCMOS / LVTTL interface levels.
4	CLK1	Input	Pullup	Clock input. LVCMOS / LVTTL interface levels.
5	nMR	Input	Pullup	Active LOW Master reset. When logic LOW, the internal dividers are reset causing the outputs to go low. When logic HIGH, the internal dividers and the outputs are enabled. LVCMOS / LVTTL interface levels.
6	CLK0	Input	Pullup	Non-inverting differential clock input.
7	nCLK0	Input	Pullup/ Pulldown	Inverting differential clock input. V _{CC} /2 default when left floating.
8, 16, 24,25	GND	Power		Power supply ground.
10, 11	CLK_EN0, CLK_EN1	Input	Pullup	Controls the enabling and disabling of the clock outputs. See Table 3B. LVCMOS / LVTTL interface levels.
12	EXT_FB	Input	Pullup	External feedback. When LOW, selects internal feedback. When HIGH, selects EXT_FB. LVCMOS / LVTTL interface levels.
13, 21, 28	V _{DDO}	Power		Output supply pins.
14, 15	QC0, QC1	Output		Bank C clock outputs. 7Ω typical output impedance. LVCMOS / LVTTL interface levels.
18	PLL_SEL	Input	Pullup	Selects between the PLL and reference clocks as the input to the output dividers. When HIGH, selects PLL. When LOW, bypasses the PLL. LVCMOS / LVTTL interface levels.
19	CLK_SEL	Input	Pulldown	Clock select input. Selects the Phase Detector Reference. When LOW, selects CLK0, nCLK0. When HIGH, selects CLK1. LVCMOS / LVTTL interface levels.
20	EXTFB_SEL	Input	Pulldown	External feedback select. LVCMOS / LVTTL interface levels.
22, 23	QB1, QB0	Output		Bank B clock outputs. 7Ω typical output impedance. LVCMOS / LVTTL interface levels.
26, 27	QA1, QA0	Output		Bank A clock outputs. 7Ω typical output impedance. LVCMOS / LVTTL interface levels.
29	DIV_SELA	Input	Pulldown	Determines output divider values for Bank A as described in Table 4A. LVCMOS / LVTTL interface levels.
30	DIV_SELB	Input	Pulldown	Determines output divider values for Bank B as described in Table 4A. LVCMOS / LVTTL interface levels.
31	DIV_SELC	Input	Pulldown	Determines output divider values for Bank C as described in Table 4A. LVCMOS / LVTTL interface levels.

NOTE: *Pullup* and *Pulldown* refer to internal input resistors. See table 2, Pin Characteristics, for typical values.

TABLE 2. PIN CHARACTERISTICS

Symbol	Parameter	Test Conditions	Minimum	Typical	Maximum	Units
C _{IN}	Input Capacitance			4		pF
R _{PULLUP}	Input Pullup Resistor			51		kΩ
R _{PULLDOWN}	Input Pulldown Resistor			51		kΩ
C _{PD}	Power Dissipation Capacitance (per output)	V _{DDO} , V _{DDO} = 3.465V		12		pF
R _{OUT}	Output Impedance			7		Ω

TABLE 3A. CONTROL INPUT FUNCTION TABLE

Inputs		Function	
Control Pin		Logic 0	Logic 1
CLK_SEL		CLK0, nCLK0	CLK1
PLL_SEL		Bypass PLL	PLL Enabled
EXTFB_SEL		Internal Feedback	EXT_FB
POWER_DN		VCO/1	VCO/2
nMR		Master Reset/Output Hi Z	Enable Outputs
DIV_SELA:DIV_SELC		QA(÷2); QB(÷2); QC(÷4)	QA(÷4); QB(÷4); QC(÷6)

TABLE 3B. CLK_ENx FUNCTION TABLE

Inputs				
CLK_EN1	CLK_EN0	DIV_SELA:DIVSEL		
		QAx	QBx	QCx
0	0	Toggle	LOW	LOW
0	1	LOW	LOW	Toggle
1	0	Toggle	LOW	Toggle
1	1	Toggle	Toggle	Toggle

TABLE 4A. VCO FREQUENCY FUNCTION TABLE

Inputs			Outputs					
DIV_SELA	DIV_SELB	DIV_SEL	QAx		QBx		QCx	
			POWER_DN = 0	POWER_DN = 1	POWER_DN = 0	POWER_DN = 1	POWER_DN = 0	POWER_DN = 1
0	0	0	VCO/2	VCO/4	VCO/2	VCO/4	VCO/4	VCO/8
0	0	1	VCO/2	VCO/4	VCO/2	VCO/4	VCO/6	VCO/12
0	1	0	VCO/2	VCO/4	VCO/4	VCO/8	VCO/4	VCO/8
0	1	1	VCO/2	VCO/4	VCO/4	VCO/8	VCO/6	VCO/12
1	0	0	VCO/4	VCO/8	VCO/2	VCO/4	VCO/4	VCO/8
1	0	1	VCO/4	VCO/8	VCO/2	VCO/4	VCO/6	VCO/12
1	1	0	VCO/4	VCO/8	VCO/4	VCO/8	VCO/4	VCO/8
1	1	1	VCO/4	VCO/8	VCO/4	VCO/8	VCO/6	VCO/12

TABLE 4B. INPUT REFERENCE FREQUENCY TO OUTPUT FREQUENCY FUNCTION TABLE (INTERNAL FEEDBACK ONLY, EXTFB_SEL = 0)

Inputs			Outputs					
DIV_SELA	DIV_SELB	DIV_SEL	QAx		QBx		QCx	
			POWER_DN = 0	POWER_DN = 1	POWER_DN = 0	POWER_DN = 1	POWER_DN = 0	POWER_DN = 1
0	0	0	4x	2x	4x	2x	2x	x
0	0	1	4x	2x	4x	2x	4/3x	2/3x
0	1	0	4x	2x	2x	x	2x	x
0	1	1	4x	2x	2x	x	4/3x	2/3x
1	0	0	2x	x	4x	2x	2x	x
1	0	1	2x	x	4x	2x	4/3x	2/3x
1	1	0	2x	x	2x	x	2x	x
1	1	1	2x	x	2x	x	4/3x	2/3x

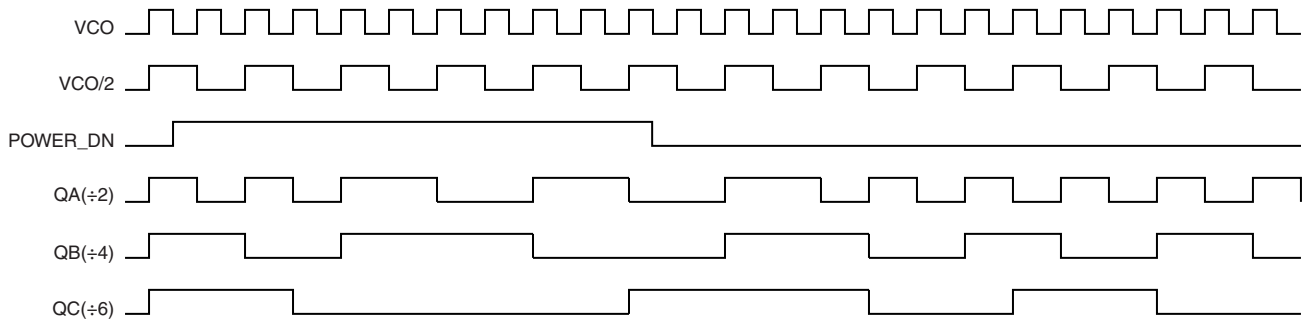


FIGURE 1A. POWER_DN TIMING DIAGRAM

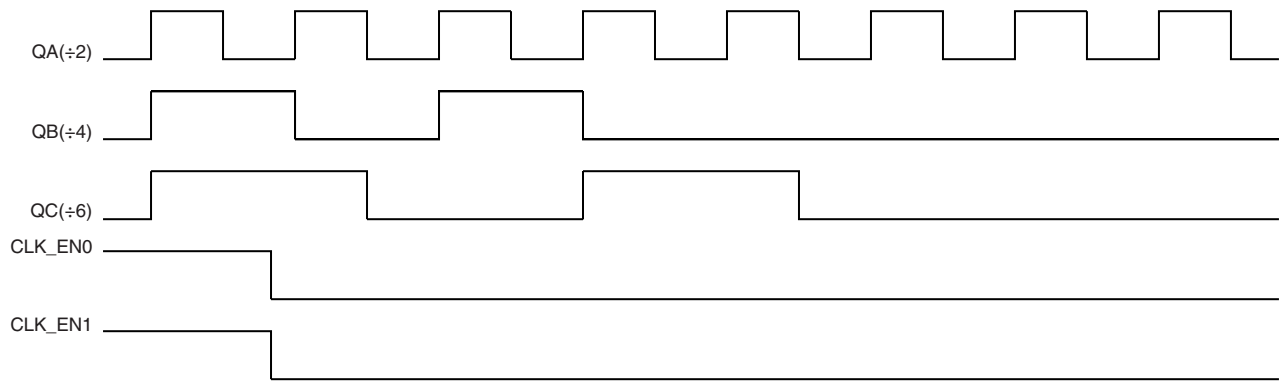
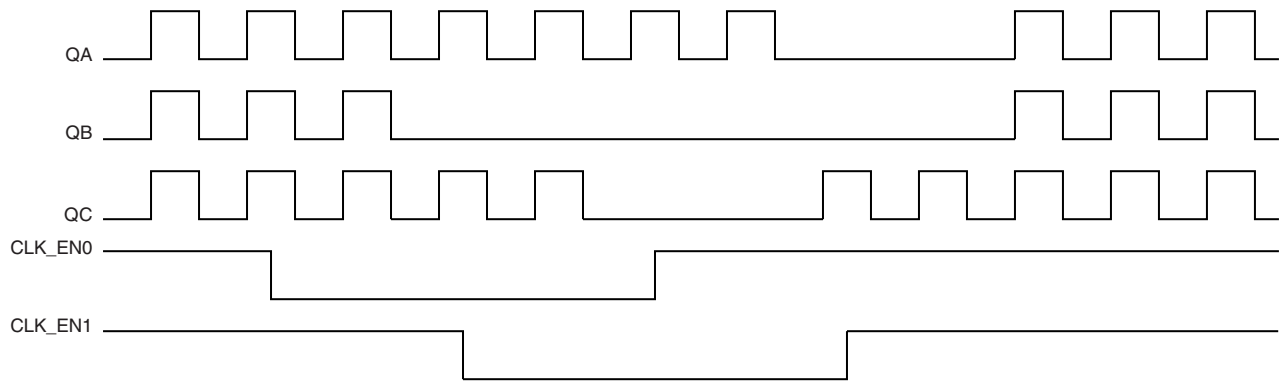


FIGURE 1B. CLK_ENx TIMING DIAGRAMS

ABSOLUTE MAXIMUM RATINGS

Supply Voltage, V_{DD}	4.6V
Inputs, V_I	-0.5V to $V_{DDA} + 0.5V$
Outputs, V_O	-0.5V to $V_{DDO} + 0.5V$
Package Thermal Impedance, θ_{JA}	65.7°C/W (0 mps)
Storage Temperature, T_{STG}	-65°C to 150°C

NOTE: Stresses beyond those listed under Absolute Maximum Ratings may cause permanent damage to the device. These ratings are stress specifications only. Functional operation of product at these conditions or any conditions beyond those listed in the *DC Characteristics* or *AC Characteristics* is not implied. Exposure to absolute maximum rating conditions for extended periods may affect product reliability.

TABLE 5A. POWER SUPPLY DC CHARACTERISTICS, $V_{DDA} = V_{DDO} = 3.3V \pm 5\%$, $T_A = -40^\circ\text{C}$ TO 85°C

Symbol	Parameter	Test Conditions	Minimum	Typical	Maximum	Units
V_{DDA}	Analog Supply Voltage		3.135	3.3	3.465	V
V_{DDO}	Output Supply Voltage		3.135	3.3	3.465	V
I_{DDA}	Analog Supply Current			20		mA
I_{DDO}	Output Supply Current			100		mA

TABLE 5B. LVCMOS/LVTTL DC CHARACTERISTICS, $V_{DDA} = V_{DDO} = 3.3V \pm 5\%$, $T_A = -40^\circ\text{C}$ TO 85°C

Symbol	Parameter	Test Conditions	Minimum	Typical	Maximum	Units
V_{IH}	Input High Voltage	DIV_SELA:DIV_SELC, CLK_EN0, CLK_EN1, POWER_DN, nMR, CLK_SEL, PLL_SEL, EXTFB_SEL, CLK1, EXT_FB	2		$V_{DDO} + 0.3$	V
V_{IL}	Input Low Voltage	DIV_SELA:DIV_SELC, CLK_EN0, CLK_EN1, POWER_DN, nMR, CLK_SEL, PLL_SEL, EXTFB_SEL	-0.3		0.8	V
		CLK1, EXT_FB	-0.3		1.3	V
I_{IN}	Input Current				± 120	μA
V_{OH}	Output High Voltage; NOTE 1	$I_{OH} = -20\text{mA}$	2.4			V
V_{OL}	Output Low Voltage; NOTE 1	$I_{OL} = 20\text{mA}$			0.5	V

NOTE 1: Outputs terminated with 50Ω to $V_{DDO}/2$. See Parameter Measurement section, 3.3V Output Load Test Circuit.

TABLE 5C. DIFFERENTIAL DC CHARACTERISTICS, $V_{DDA} = V_{DDO} = 3.3V \pm 5\%$, $T_A = -40^\circ\text{C}$ TO 85°C

Symbol	Parameter	Test Conditions	Minimum	Typical	Maximum	Units
I_{IN}	Input Current				± 120	μA
V_{PP}	Peak-to-Peak Input Voltage		0.15		1.3	V
V_{CMR}	Common Mode Input Voltage; NOTE 1, 2		GND + 0.5		$V_{DDO} - 0.85$	V

NOTE 1: For single ended applications, the maximum input voltage for CLK0, nCLK0 is $V_{DDO} + 0.3V$.

NOTE 2: Common mode voltage is defined as V_{IH} .

TABLE 6. PLL INPUT REFERENCE CHARACTERISTICS, $V_{DDA} = V_{DDO} = 3.3V \pm 5\%$, $T_A = -40^\circ\text{C}$ TO 85°C

Symbol	Parameter	Test Conditions	Minimum	Typical	Maximum	Units
f_{REF}	Input Reference Frequency NOTE: Input reference frequency is limited by the divider selection and the VCO lock range.				240	MHz

TABLE 7. AC CHARACTERISTICS, $V_{DDA} = V_{DDO} = 3.3V \pm 5\%$, $T_A = -40^\circ\text{C}$ TO 85°C

Symbol	Parameter	Test Conditions	Minimum	Typical	Maximum	Units	
f_{MAX}	Output Frequency	QAx, QBx	$\div 2$		240	MHz	
		QAx, QBx, QCx	$\div 4$		120	MHz	
		QCx	$\div 6$		80	MHz	
$t(\emptyset)$	Static Phase Offset; NOTE 1	CLK1 to EXT_FB	$f_{ref} = 50\text{MHz}$, FB = $\div 8$	-375	-200	-50	ps
		CLK0, nCLK0 to EXT_FB		-100	50	200	ps
$t_{sk(o)}$	Output Skew; NOTE 2, 4				165	ps	
$f_{jitter(cc)}$	Cycle-to-Cycle Jitter; NOTE 4				45	ps	
f_{VCO}	PLL VCO Lock Range		220		480	MHz	
t_R/t_F	Output Rise Time; NOTE 3	0.8V to 2.0V	0.1		1	ns	
odc	Output Duty Cycle	$f_{MAX} < 150\text{MHz}$	45		55	%	
t_{LOCK}	PLL Lock Time				10	ms	
t_{PZL}, t_{PZH}	Output Enable Time; NOTE 3		2		10	ns	
t_{PLZ}, t_{PHZ}	Output Disable Time; NOTE 3		2		8	ns	

All parameters measured at f_{MAX} unless noted otherwise.

NOTE 1: Defined as the time difference between the input reference clock and the average feedback input signal when the PLL is locked and the input reference frequency is stable.

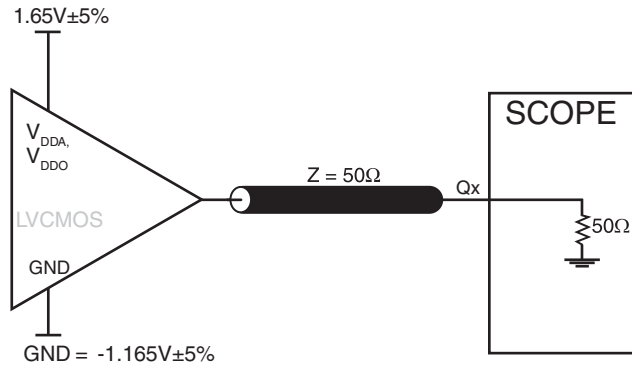
NOTE 2: Defined as skew between outputs at the same supply voltage and with equal load conditions.

Measured at $V_{DDO}/2$.

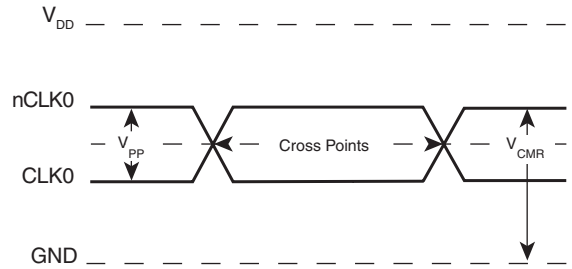
NOTE 3: These parameters are guaranteed by characterization. Not tested in production.

NOTE 4: This parameter is defined in accordance with JEDEC Standard 65.

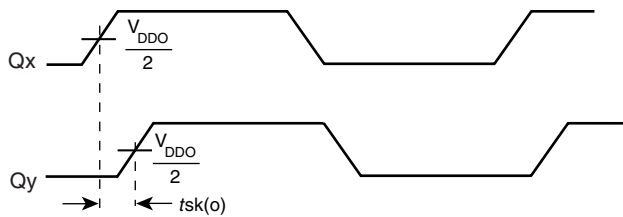
PARAMETER MEASUREMENT INFORMATION



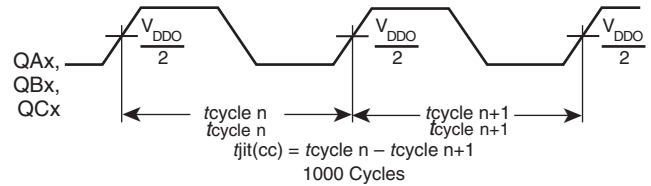
3.3V OUTPUT LOAD AC TEST CIRCUIT



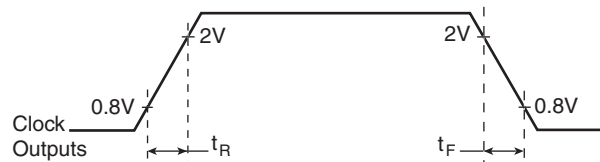
DIFFERENTIAL INPUT LEVEL



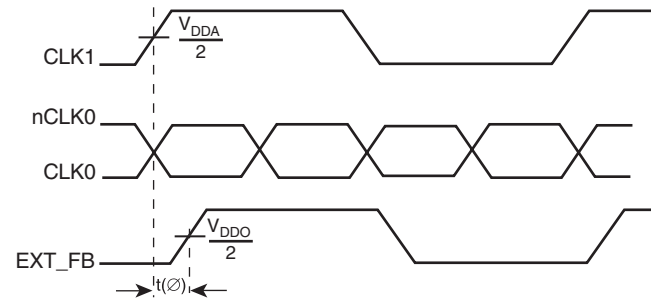
OUTPUT SKEW



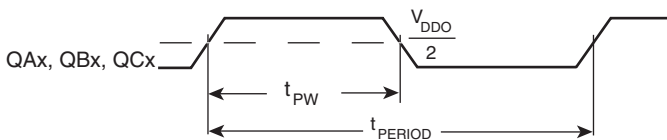
CYCLE-TO-CYCLE JITTER



OUTPUT RISE/FALL TIME



STATIC PHASE OFFSET



$$odc = \frac{t_{PW}}{t_{PERIOD}} \times 100\%$$

OUTPUT DUTY CYCLE/PULSE WIDTH/PERIOD

APPLICATION INFORMATION

WIRING THE DIFFERENTIAL INPUT TO ACCEPT SINGLE ENDED LEVELS

Figure 2 shows how the differential input can be wired to accept single ended levels. The reference voltage $V_{REF} = V_{DD}/2$ is generated by the bias resistors R1, R2 and C1. This bias circuit should be located as close as possible to the input pin. The ratio

of R1 and R2 might need to be adjusted to position the V_{REF} in the center of the input voltage swing. For example, if the input clock swing is only 2.5V and $V_{DD} = 3.3V$, V_{REF} should be 1.25V and $R2/R1 = 0.609$.

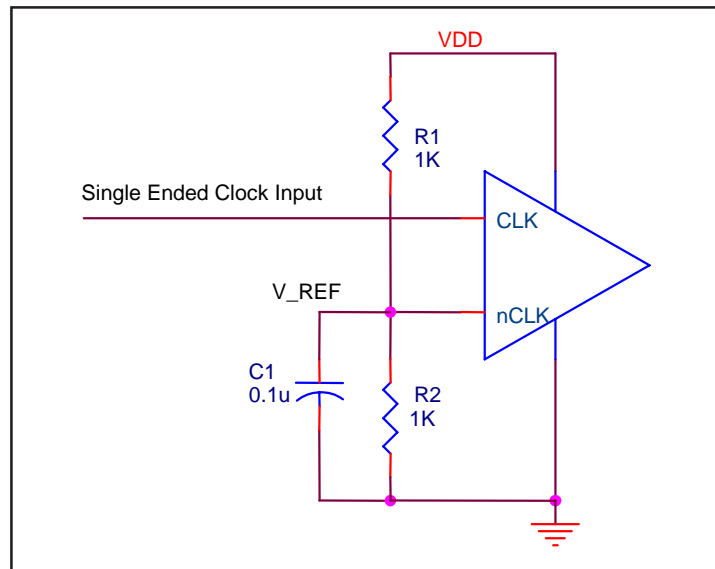


FIGURE 2. SINGLE ENDED SIGNAL DRIVING DIFFERENTIAL INPUT

RECOMMENDATIONS FOR UNUSED INPUT AND OUTPUT PINS

INPUTS:

CLK INPUT:

For applications not requiring the use of a clock input, it can be left floating. Though not required, but for additional protection, a 1kΩ resistor can be tied from the CLK input to ground.

CLK/nCLK INPUT:

For applications not requiring the use of the differential input, both CLK and nCLK can be left floating. Though not required, but for additional protection, a 1kΩ resistor can be tied from CLK to ground.

LVCMOS CONTROL PINS:

All control pins have internal pull-ups or pull-downs; additional resistance is not required but can be added for additional protection. A 1kΩ resistor can be used.

OUTPUTS:

LVCMOS OUTPUTS:

All unused LVCMOS output can be left floating. There should be no trace attached.

DIFFERENTIAL CLOCK INPUT INTERFACE

The CLK /nCLK accepts LVDS, LVPECL, LVHSTL, SSTL, HCSSL and other differential signals. The signals must meet the V_{pp} and V_{CMR} input requirements. Figures 3A to 3D show interface examples for the CLK/nCLK input driven by the most common driver types. The input interfaces suggested here are examples only. Please

consult with the vendor of the driver component to confirm the driver termination requirements. For example in *Figure 3A*, the input termination applies for IDT LVHSTL drivers. If you are using an LVHSTL driver from another vendor, use their termination recommendation.

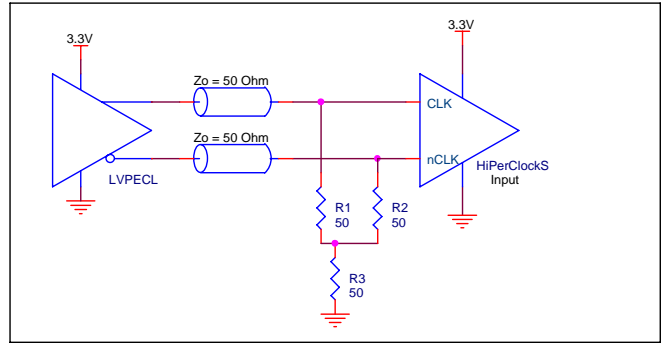
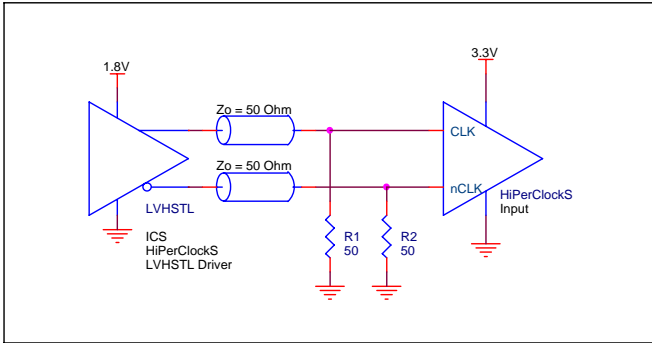


FIGURE 3A. CLK/nCLK INPUT DRIVEN BY AN IDT LVHSTL DRIVER

FIGURE 3B. CLK/nCLK INPUT DRIVEN BY A 3.3V LVPECL DRIVER

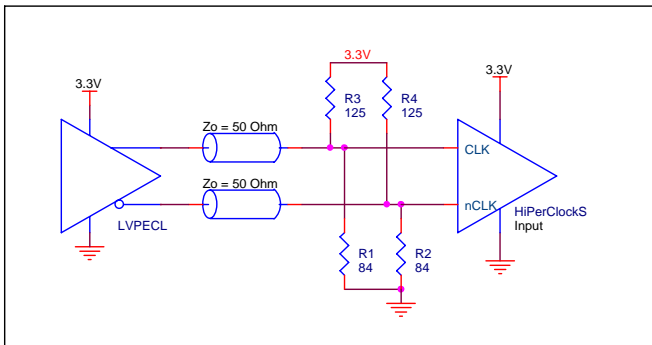


FIGURE 3C. CLK/nCLK INPUT DRIVEN BY A 3.3V LVPECL DRIVER

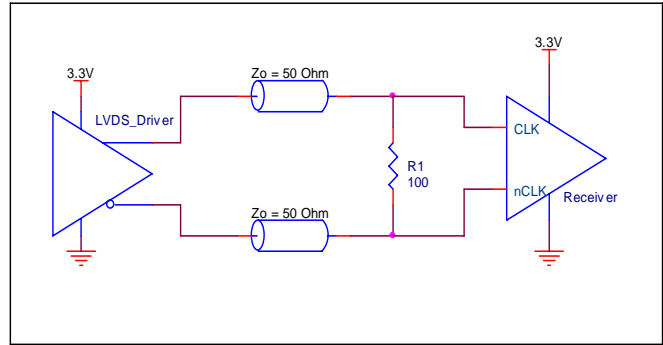


FIGURE 3D. CLK/nCLK INPUT DRIVEN BY A 3.3V LVDS DRIVER

The following component footprints are used in this layout example: All the resistors and capacitors are size 0603.

POWER AND GROUNDING

Place the decoupling capacitors as close as possible to the power pins. If space allows, placement of the decoupling capacitor on the component side is preferred. This can reduce unwanted inductance between the decoupling capacitor and the power pin caused by the via.

Maximize the power and ground pad sizes and number of vias capacitors. This can reduce the inductance between the power and ground planes and the component power and ground pins. The RC filter consisting of R7, C11, and C16 should be placed as close to the V_{DDA} pin as possible.

CLOCK TRACES AND TERMINATION

Poor signal integrity can degrade the system performance or cause system failure. In synchronous high-speed digital systems, the clock signal is less tolerant to poor signal integrity than other signals. Any ringing on the rising or falling edge or excessive ring back can cause system failure. The shape of the trace and the trace delay might be restricted by the available space on the board and the component location. While routing the traces, the clock signal traces should be routed first and should be locked prior to routing other signal traces.

- The differential 50Ω output traces should have same length.
- Avoid sharp angles on the clock trace. Sharp angle turns cause the characteristic impedance to change on the transmission lines.
- Keep the clock traces on the same layer. Whenever possible, avoid placing vias on the clock traces. Placement of vias on the traces can affect the trace characteristic impedance and hence degrade signal integrity.
- To prevent cross talk, avoid routing other signal traces in parallel with the clock traces. If running parallel traces is unavoidable, allow a separation of at least three trace widths between the differential clock trace and the other signal trace.
- Make sure no other signal traces are routed between the clock trace pair.
- The series termination resistors should be located as close to the driver pins as possible.

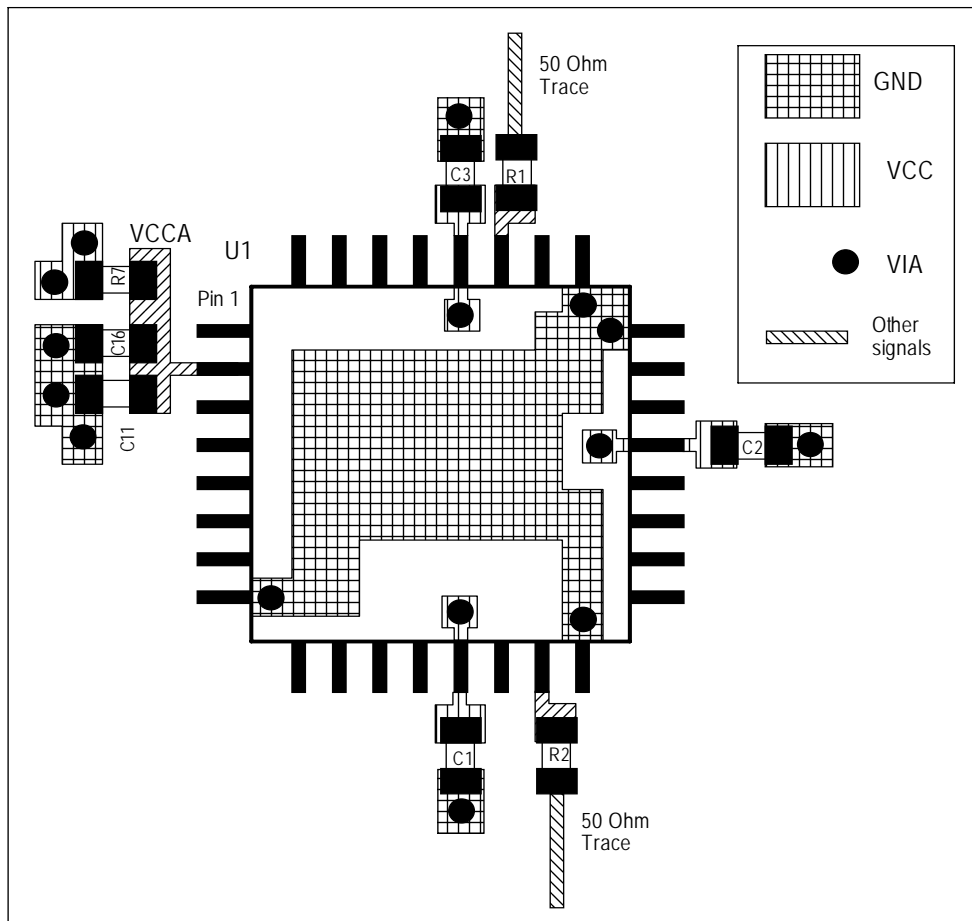


FIGURE 4B. PCB BOARD LAYOUT FOR ICS87931I-147

RELIABILITY INFORMATION

TABLE 8. θ_{JA} vs. AIR FLOW TABLE FOR 32 LEAD LQFP

θ_{JA} by Velocity (Meters per Second)			
	0	1.0	2.5
Multi-Layer PCB, JEDEC Standard Test Boards	65.7°C/W	55.9°C/W	52.4°C/W

TRANSISTOR COUNT

The transistor count for ICS87931I-147 is: 2942

PACKAGE OUTLINE - Y SUFFIX FOR 32 LEAD LQFP

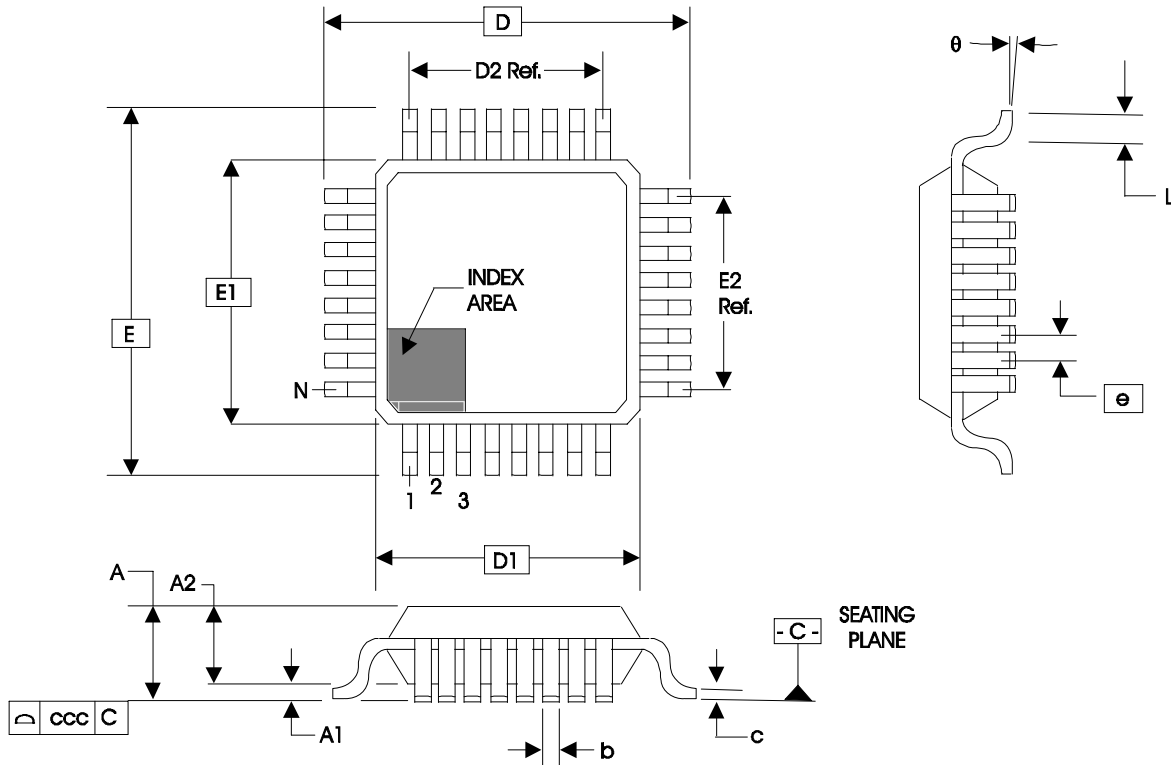


TABLE 9. PACKAGE DIMENSIONS

JEDEC VARIATION ALL DIMENSIONS IN MILLIMETERS			
SYMBOL	BBA		
	MINIMUM	NOMINAL	MAXIMUM
N	32		
A	--	--	1.60
A1	0.05	--	0.15
A2	1.35	1.40	1.45
b	0.30	0.37	0.45
c	0.09	--	0.20
D	9.00 BASIC		
D1	7.00 BASIC		
D2	5.60 Ref.		
E	9.00 BASIC		
E1	7.00 BASIC		
E2	5.60 Ref.		
e	0.80 BASIC		
L	0.45	0.60	0.75
θ	0°	--	7°
ccc	--	--	0.10

Reference Document: JEDEC Publication 95, MS-026

TABLE 10. ORDERING INFORMATION

Part/Order Number	Marking	Package	Shipping Packaging	Temperature
87931AYI-147LF	ICS931AI147L	32 lead "Lead Free" LQFP	Tray	-40°C to +85°C
87931AYI-147LFT	ICS931AI147L	32 lead "Lead Free" LQFP	1000 Tape and Reel	-40°C to +85°C

NOTE: "LF" suffix to the part number are the PB-free configuration, RoHS compliant

While the information presented herein has been checked for both accuracy and reliability, Integrated Device Technology, Incorporated (IDT) assumes no responsibility for either its use or for infringement of any patents or other rights of third parties, which would result from its use. No other circuits, patents, or licenses are implied. This product is intended for use in normal commercial and industrial applications. Any other applications such as those requiring high reliability or other extraordinary environmental requirements are not recommended without additional processing by IDT. IDT reserves the right to change any circuitry or specifications without notice. IDT does not authorize or warrant any IDT product for use in life support devices or critical medical instruments.

REVISION HISTORY SHEET

Rev	Table	Page	Description of Change	Date
A	T4B	3	Input Reference Frequency Table - added to table description "EXTFB_SEL = 0".	8/25/10
A			PDN# CQ-13-01, Product Discontinuation Notice - Last Time Buy 7/26/2014	8/13/13

We've Got Your Timing Solution.



www.IDT.com

6024 Silver Creek Valley Road
San Jose, CA 95138

Sales

800-345-7015 (inside USA)
+408-284-8200 (outside USA)
Fax: 408-284-2775
www.IDT.com/go/contactIDT

Tech Support

netcom@idt.com
+480-763-2056

IMPORTANT NOTICE AND DISCLAIMER

RENESAS ELECTRONICS CORPORATION AND ITS SUBSIDIARIES (“RENESAS”) PROVIDES TECHNICAL SPECIFICATIONS AND RELIABILITY DATA (INCLUDING DATASHEETS), DESIGN RESOURCES (INCLUDING REFERENCE DESIGNS), APPLICATION OR OTHER DESIGN ADVICE, WEB TOOLS, SAFETY INFORMATION, AND OTHER RESOURCES “AS IS” AND WITH ALL FAULTS, AND DISCLAIMS ALL WARRANTIES, EXPRESS OR IMPLIED, INCLUDING, WITHOUT LIMITATION, ANY IMPLIED WARRANTIES OF MERCHANTABILITY, FITNESS FOR A PARTICULAR PURPOSE, OR NON-INFRINGEMENT OF THIRD-PARTY INTELLECTUAL PROPERTY RIGHTS.

These resources are intended for developers who are designing with Renesas products. You are solely responsible for (1) selecting the appropriate products for your application, (2) designing, validating, and testing your application, and (3) ensuring your application meets applicable standards, and any other safety, security, or other requirements. These resources are subject to change without notice. Renesas grants you permission to use these resources only to develop an application that uses Renesas products. Other reproduction or use of these resources is strictly prohibited. No license is granted to any other Renesas intellectual property or to any third-party intellectual property. Renesas disclaims responsibility for, and you will fully indemnify Renesas and its representatives against, any claims, damages, costs, losses, or liabilities arising from your use of these resources. Renesas' products are provided only subject to Renesas' Terms and Conditions of Sale or other applicable terms agreed to in writing. No use of any Renesas resources expands or otherwise alters any applicable warranties or warranty disclaimers for these products.

(Disclaimer Rev.1.01)

Corporate Headquarters

TOYOSU FORESIA, 3-2-24 Toyosu,
Koto-ku, Tokyo 135-0061, Japan
www.renesas.com

Trademarks

Renesas and the Renesas logo are trademarks of Renesas Electronics Corporation. All trademarks and registered trademarks are the property of their respective owners.

Contact Information

For further information on a product, technology, the most up-to-date version of a document, or your nearest sales office, please visit www.renesas.com/contact-us/.