

ISL85033

Wide V_{IN} Dual Standard Buck Regulator With 3A/3A Continuous Output Current

FN6676
Rev.8.02
Dec 14, 2023

The **ISL85033** is a dual standard buck regulator capable of 3A per channel continuous output current. With an input range of 4.5V to 28V, it provides a high frequency power solution for a variety of point of load applications.

The PWM controller in the ISL85033 drives an internal switching N-Channel power MOSFET and requires an external Schottky diode to generate the output voltage. The integrated power switch is optimized for excellent thermal performance up to 3A of output current. The PWM regulator switches at a default frequency of 500kHz and it can be user programmed or synchronized from 300kHz to 2MHz. The ISL85033 utilizes peak current mode control to provide flexibility in component selection and minimize solution size. The protection features include overcurrent, UVLO and thermal overload protection.

The ISL85033 is available in a small 4mmx4mm Thin Quad Flat No-Lead (TQFN) Pb-free package.

Applications

- General purpose point-of-load DC/DC power conversion
- Set-top boxes
- FPGA power and STB power
- DVD and HDD drives
- LCD panels, TV power
- Cable modems

Features

- Wide input voltage range from 4.5V to 28V
- Adjustable output voltage with continuous output current up to 3A
- Current mode control
- Adjustable switching frequency from 300kHz to 2MHz
- Independent power-good detection
- Selectable in-phase or out-of-phase PWM operation
- Independent, sequential, ratiometric or absolute tracking between outputs
- Internal 2ms soft-start time
- Overcurrent/short circuit protection, thermal overload protection, UVLO
- Boot undervoltage detection
- Pb-free (RoHS compliant)

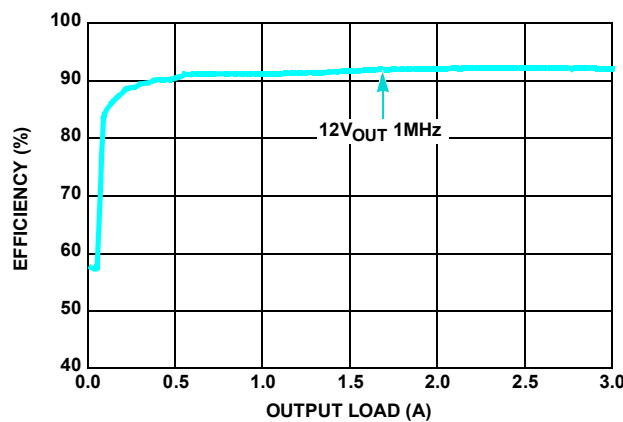
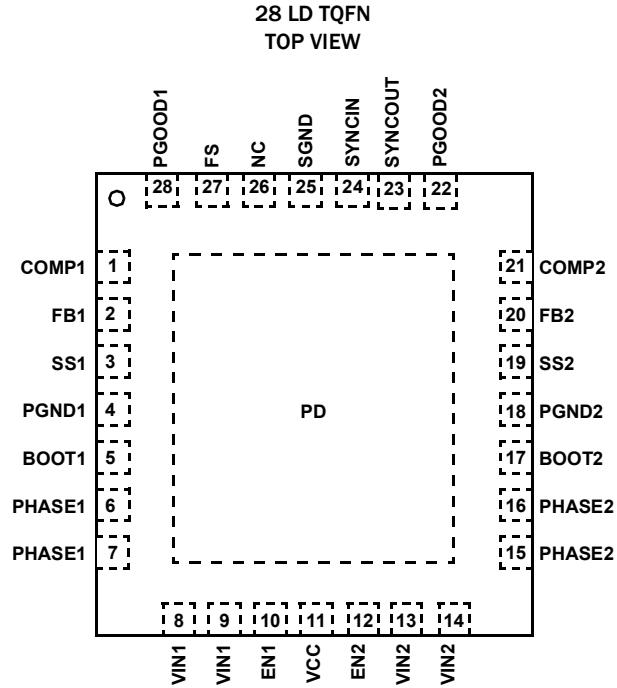


FIGURE 1. EFFICIENCY vs LOAD, $V_{IN} = 28V$, $T_A = +25^\circ C$

Table of Contents

Pin Configuration	3
Pin Descriptions	3
Typical Application Schematics	5
Ordering Information	7
Absolute Maximum Ratings	8
Thermal Information	8
Recommended Operating Conditions	8
Electrical Specifications	8
Typical Performance Curves	10
Detailed Description	16
Operation Initialization	16
Power-on Reset and Undervoltage Lockout	16
Enable and Disable	16
Power-good	16
Output Voltage Selection	16
Output Tracking and Sequencing	16
Protection Features	17
Buck Regulator Overcurrent Protection	17
Thermal Overload Protection	18
BOOT Undervoltage Protection	18
Application Guidelines	18
Operating Frequency	18
Synchronization Control	18
Output Inductor Selection	18
Buck Regulator Output Capacitor Selection	18
Current Sharing Configuration	19
Input Capacitor Selection	19
Loop Compensation Design	19
Theory of Compensation	20
PWM Comparator Gain F_m	20
Power Stage Transfer Functions	20
Rectifier Selection	21
Power Derating Characteristics	22
Layout Considerations	22
Revision History	23
Package Outline Drawing	25

Pin Configuration



Pin Descriptions

PIN NUMBER	SYMBOL	PIN DESCRIPTION
1, 21	COMP1, COMP2	COMP1, COMP2 are the output of the error amplifier.
2, 20	FB1, FB2	Feedback pin for the regulator. FB is the negative input to the voltage loop error amplifier. COMP is the output of the error amplifier. The output voltage is set by an external resistor divider connected to FB. In addition, the PWM regulator's power-good and undervoltage protection circuits use FB1, FB2 to monitor the regulator output voltage.
3, 19	SS1, SS2	Soft-start pins for each controller. The SS1, SS2 pins control the soft-start and sequence of their respective outputs. A single capacitor from the SS pin to ground determines the output ramp rate. See the " Output Tracking and Sequencing " on page 16 for soft-start and output tracking/sequencing details. If SS pins are tied to VCC, an internal soft-start of 2ms will be used. Maximum C_{SS} value is 100nF.
4, 18	PGND1, PGND2	Power ground connections. Connect directly to the system GND plane.
5, 17	BOOT1, BOOT2	Floating bootstrap supply pin for the power MOSFET gate driver. The bootstrap capacitor provides the necessary charge to turn on the internal N-Channel MOSFET. Connect an external capacitor from this pin to PHASE.
6, 7, 15, 16	PHASE1, PHASE2	Switch node output. It connects the source of the internal power MOSFET with the external output inductor and with the cathode of the external diode.
8, 9, 13, 14	VIN1, VIN2	The input supply for the power stage of the PWM regulator and the source for the internal linear regulator that provides bias for the IC. Place a minimum of 10 μ F ceramic capacitance from each VIN to GND and close to the IC for decoupling.
10, 12	EN1, EN2	PWM controller's enable inputs. The PWM controllers are held off when the pin is pulled to ground. When the voltage on this pin rises above 2V, the PWM controller is enabled. If EN1, EN2 pins are driven by an external signal, the minimum off-time for EN1, EN2 should be: $EN_T_off (\mu s) = 10 \mu s \cdot C_{SS} / 2.2 nF$ where C_{SS} is the soft-start pin capacitor (nF). The ISL85033 does not have debouncing to EN1, EN2 external signals.
11	VCC	Output of the internal 5V linear regulator. Decouple to PGND with a minimum of 4.7 μ F ceramic capacitor. This pin is provided only for internal bias of ISL85033 (not to be loaded with current over 10mA).
23	SYNCOUT	Synchronization output. Provides a signal that is the inverse of the SYNCIN signal.

Pin Descriptions (Continued)

PIN NUMBER	SYMBOL	PIN DESCRIPTION
24	SYNCIN	Connect to an external signal for synchronization from 300kHz to 2MHz (negative edge trigger). SYNCIN is not allowed to be floating. When SYNCIN = logic 0, PHASE1 and PHASE2 are running at 180° out-of-phase. When SYNCIN = logic 1, PHASE1 and PHASE2 are running at 0° in-phase. When SYNCIN = an external clock, PHASE1 and PHASE2 are running at 180° out-of-phase. External SYNC frequency applied to the SYNCIN pin should be at least 2.4 x the internal switching frequency setting.
25	SGND	Signal ground connections. The exposed pad must be connected to SGND and soldered to the PCB. All voltage levels are measured with respect to this pin.
26	NC	This is a no connection pin.
27	FS	Frequency selection pin. Tie to VCC for 500kHz switching frequency. Connect a resistor to GND for adjustable frequency from 300kHz to 2MHz.
22, 28	PGOOD2, PGOOD1	Open-drain power-good output that is pulled to ground when the output voltage is below regulation limits or during the soft-start interval. There is an internal 5MΩ internal pull-up resistor.
	PD	The exposed pad must be connected to the system GND plane with as many vias as possible for proper electrical and thermal performance.

Typical Application Schematics

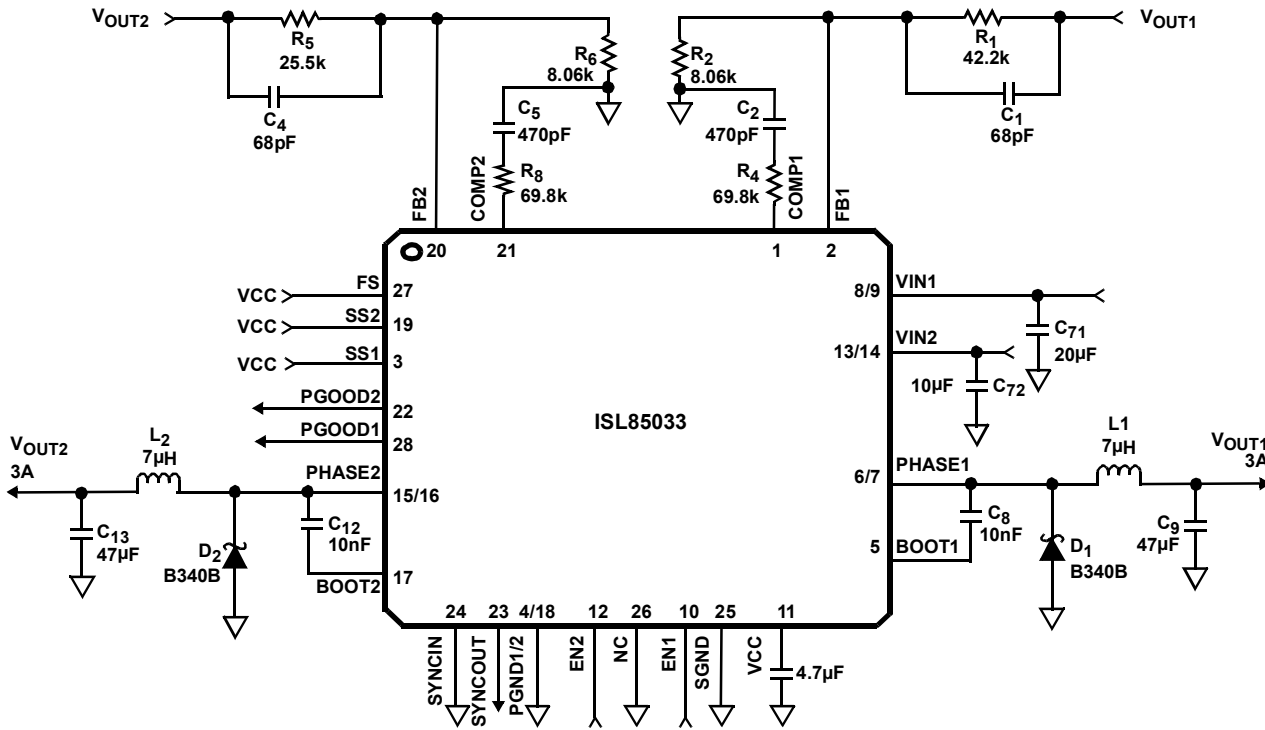


FIGURE 2. DUAL 3A OUTPUT (V_{IN} RANGE FROM 4.5V TO 28V)

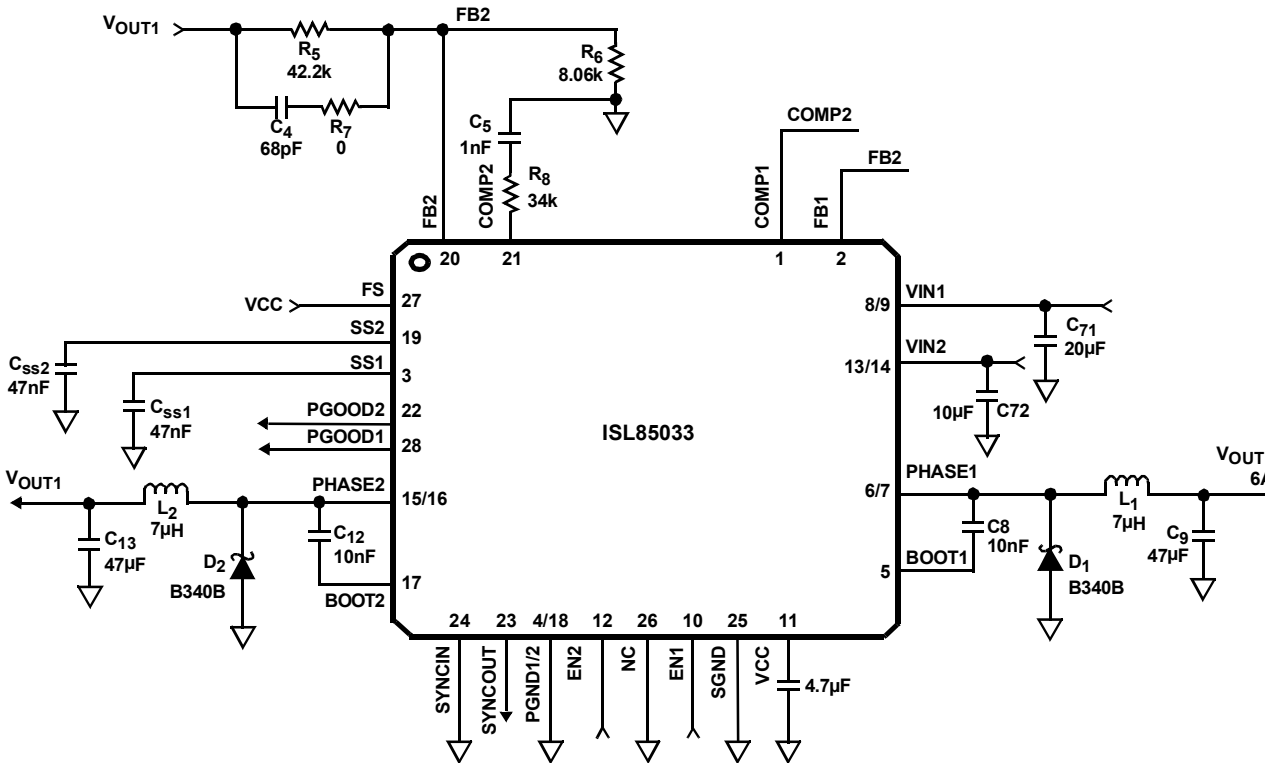
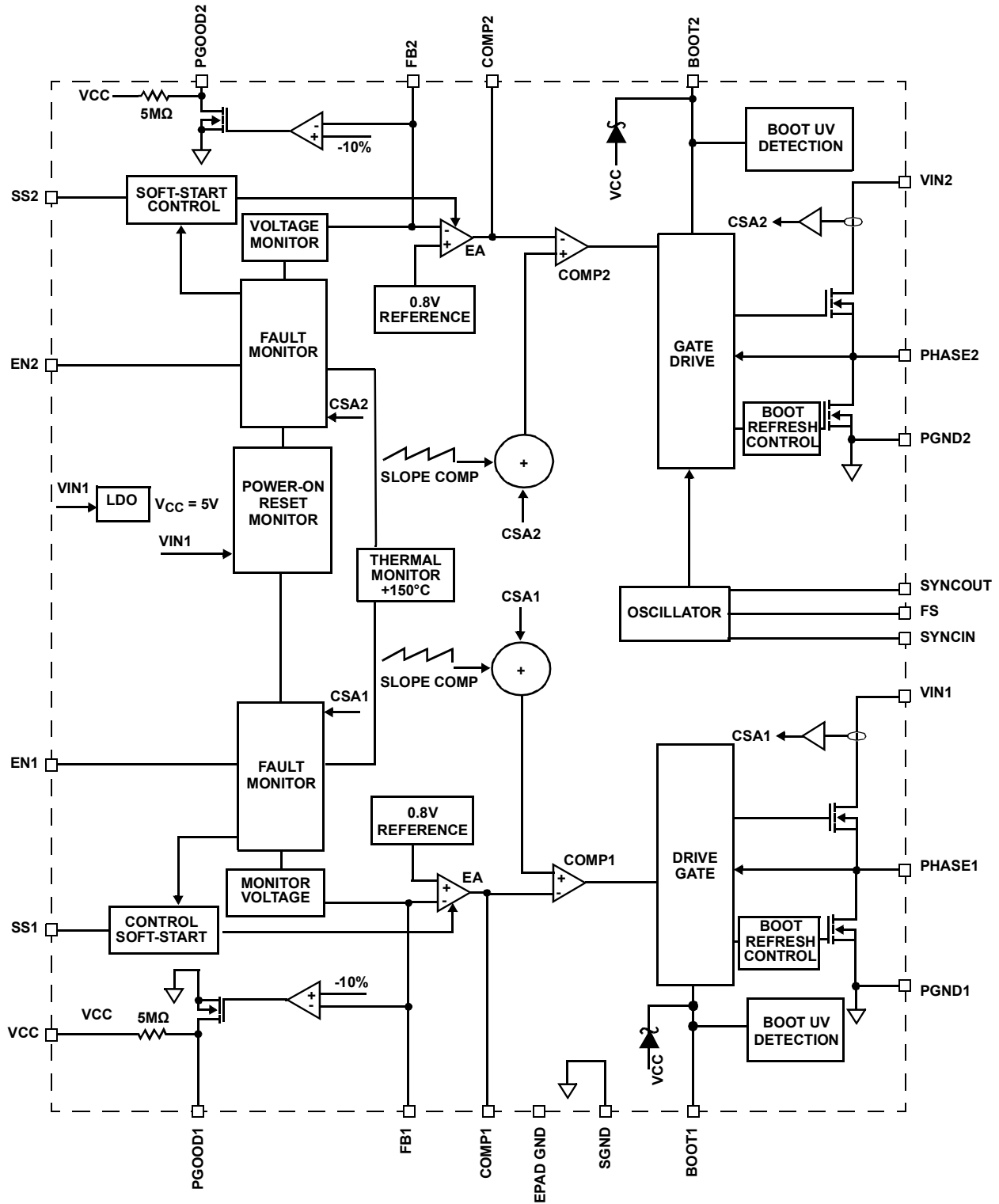


FIGURE 3. SINGLE 6A OUTPUT (V_{IN} RANGE FROM 4.5V TO 28V) CURRENT SHARING

Functional Block Diagram



Ordering Information

PART NUMBER (Notes 2, 3)	PART MARKING	TEMP. RANGE (°C)	TAPE AND REEL (Units) (Note 1)	PACKAGE (RoHS Compliant)	PKG. DWG. #
ISL85033IRTZ	850 33IRTZ	-40 to +85	-	28 Ld TQFN	L28.4x4
ISL85033IRTZ-T	850 33IRTZ	-40 to +85	6k	28 Ld TQFN	L28.4x4
ISL85033IRTZ-T7A	850 33IRTZ	-40 to +85	250	28 Ld TQFN	L28.4x4
ISL85033-12VEVAL3Z	Evaluation Board				
ISL85033DUALEVAL1Z	Evaluation Board				
ISL85033EVAL2Z	Evaluation Board				
ISL85033CRSHEVAL1Z	Evaluation Board				

NOTES:

- See [TB347](#) for details on reel specifications.
- These Pb-free plastic packaged products employ special Pb-free material sets, molding compounds/die attach materials, and 100% matte tin plate plus anneal (e3 termination finish, which is RoHS compliant and compatible with both SnPb and Pb-free soldering operations). Pb-free products are MSL classified at Pb-free peak reflow temperatures that meet or exceed the Pb-free requirements of IPC/JEDEC J STD-020.
- For Moisture Sensitivity Level (MSL), see the [ISL85033](#) device page. For more information about MSL, see [TB363](#).

Absolute Maximum Ratings

VIN1/2 to GND	-0.3V to +30V
PHASE1/2 to GND	-7V (<10ns) / -0.3V (DC) to +33V
BOOT1/2 to PHASE1/2	-0.3V to +5.9V
FS to GND	-0.3V to +5.9V
SYNCIN to GND	-0.3V to +5.9V
FB1/2 to GND	-0.3V to +2.95V
EN1/2 to GND	-0.3V to +5.9V
PGOOD1/2 to GND	-0.3V to +5.9V
COMP1/2 to GND	-0.3V to +5.9V
VCC to GND Short Maximum Duration	.1s
SYNCOUT to GND	-0.3V to +5.9V
SS1/2 to GND	-0.3V to +5.9V
ESD Rating	
Human Body Model (Tested per JESD22-A114)	3kV
Charged Device Model (Tested per JESD22-C101E)	2.2kV
Machine Model (Tested per JESD22-A115)	300V
Latch-up (Tested per JESD-78A; Class 2, Level A)	100mA

Thermal Information

Thermal Resistance	θ_{JA} (°C/W)	θ_{JC} (°C/W)
QFN Package (Notes 4, 5)	38	3
Maximum Junction Temperature (Plastic Package)	+150°C	
Maximum Storage Temperature Range	-65°C to +150°C	
Ambient Temperature Range	-40°C to +85°C	
Junction Temperature Range	-55°C to +150°C	
Operating Temperature Range	-40°C to +85°C	
Pb-Free Reflow Profile	see TB493	

Recommended Operating Conditions

Temperature	-40°C to +85°C
Supply Voltage	4.5V to 28V

CAUTION: Do not operate at or near the maximum ratings listed for extended periods of time. Exposure to such conditions can adversely impact product reliability and result in failures not covered by warranty.

NOTES:

- θ_{JA} is measured in free air with the component mounted on a high-effective thermal conductivity test board with direct attach features. See [TB379](#) for details.
- For θ_{JC} , the case temperature location is the center of the exposed metal pad on the package underside.

Electrical Specifications $T_A = -40^\circ\text{C}$ to $+85^\circ\text{C}$, $V_{IN} = 4.5\text{V}$ to 28V , unless otherwise noted. Typical values are at $T_A = +25^\circ\text{C}$.
Boldface limits apply across the operating temperature range, -40°C to $+85^\circ\text{C}$

PARAMETER	SYMBOL	TEST CONDITIONS	MIN (Note 8)	TYP	MAX (Note 8)	UNITS
SUPPLY VOLTAGE						
VIN Voltage Range	VIN		4.5		28	V
VIN Quiescent Supply Current	IQ			1.2	2.2	mA
VIN Shutdown Supply Current	ISD	EN1/2 = 0V		20	45	µA
VCC Voltage	VCC	VIN = 12V; IOUT = 0mA	4.5	5.1	5.6	V
POWER-ON RESET						
VIN POR Threshold		Rising Edge		3.9	4.4	V
		Falling Edge	3.2	3.7		V
OSCILLATOR						
Nominal Switching Frequency	fSW	FS pin = VCC	420	500	580	kHz
		Resistor from FS pin to GND = 383kΩ		300		kHz
		Resistor from FS pin to GND = 40.2kΩ		2000		kHz
FS Voltage	VFS	FS = 100kΩ	780	800	820	mV
Switching Frequency		SYNCIN = 600kHz		300		kHz
		1.2MHz ≤ SYNCIN ≤ 4MHz	600		2000	kHz
Minimum Off-time	tOFF			130		ns
ERROR AMPLIFIER						
Error Amplifier Transconductance Gain	gm		125	205	285	µA/V
FB1, FB2 Leakage Current		VFB = 0.8V		10	100	nA
Current Sense Amplifier Gain	RT		0.18	0.21	0.24	V/A
Reference Voltage			0.792	0.8	0.808	V
Soft-start Ramp Time		SS1, SS2 = VDD	1.5	2.5	3.5	ms
Soft-start Charging Current	ISS		1.4	2	2.6	µA

Electrical Specifications $T_A = -40^\circ\text{C}$ to $+85^\circ\text{C}$, $V_{IN} = 4.5\text{V}$ to 28V , unless otherwise noted. Typical values are at $T_A = +25^\circ\text{C}$.
Boldface limits apply across the operating temperature range, -40°C to $+85^\circ\text{C}$ (Continued)

PARAMETER	SYMBOL	TEST CONDITIONS	MIN (Note 8)	TYP	MAX (Note 8)	UNITS
POWER-GOOD						
PG1, PG2 Trip Level PG to PGOOD1, PGOOD2		Rise		91	94	%
		Fall	82.5	85.5		%
PG1, PG2 Propagation Delay		Percentage of the soft-start time		10		%
PG1, PG2 Low Voltage		ISINK = 3mA		100	300	mV
ENABLE INPUT						
EN1, EN2 Leakage Current		EN1/2 = 0V/5V	-1		1	μA
EN1, EN2 Input Threshold Voltage		Low Level			0.8	V
		Float Level	1.0		1.4	V
		High Level	2			V
SYNC INPUT/OUTPUT						
SYNCIN Input Threshold		Falling Edge	1.1	1.4		V
		Rising Edge		1.6	1.9	V
		Hysteresis		200		mV
SYNCIN Leakage Current		SYNCIN = 0V/5V		10	1000	nA
SYNCIN Pulse Width			100			ns
SYNCOUT Phase-shift to SYNCIN		Measured from rising edge to rising edge, if duty cycle is 50%		180		Degree
SYNCOUT Frequency Range			600		4000	kHz
SYNCOUT Output Voltage High		ISYNCOUT = 3mA	V_{CC} - 0.3	V _{CC} -0.08		V
SYNCOUT Output Voltage Low					0.08	0.3
FAULT PROTECTION						
Thermal Shutdown Temperature	T _{SD}	Rising Threshold		150		$^\circ\text{C}$
	T _{HYS}	Hysteresis		20		$^\circ\text{C}$
Overcurrent Protection Threshold		(Note 7)	4.1	5.1	6.1	A
OCP Blanking Time				60		ns
POWER MOSFET						
High-side	R _{HDS}	I _{PHASE} = 100mA		75	150	m Ω
Internal BOOT1, BOOT2 Refresh Low-side	R _{LDS}	I _{PHASE} = 100mA		1		Ω
PHASE Leakage Current		EN1/2 = PHASE1/2 = 0V			300	nA
PHASE Rise Time	t _{RISE}	V _{IN} = 25V		10		ns

NOTES:

- Test Condition: $V_{IN} = 28\text{V}$, FB forced above regulation point (0.8V), no switching, and power MOSFET gate charging current not included.
- Established by both current sense amplifier gain test and current sense amplifier output test at $I_L = 0\text{A}$.
- Parameters with MIN and/or MAX limits are 100% tested at $+25^\circ\text{C}$, unless otherwise specified. Temperature limits established by characterization and are not production tested.

Typical Performance Curves

Circuit of [Figure 2](#). $V_{IN} = 12V$, $V_{OUT1} = 5V$, $V_{OUT2} = 3.3V$, $I_{OUT1} = 3A$, $I_{OUT2} = 3A$, $T_A = -40^{\circ}C$ to $+85^{\circ}C$, unless otherwise noted. Typical values are at $T_A = +25^{\circ}C$.

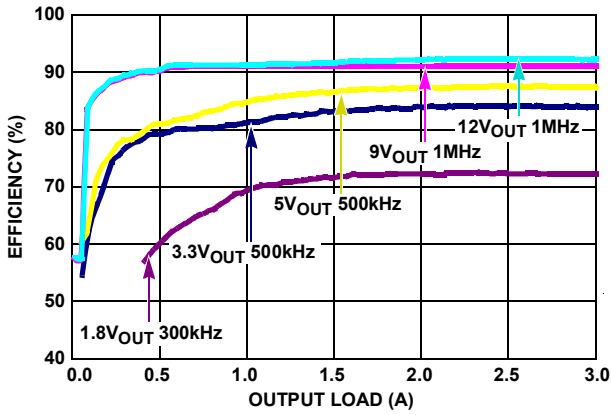


FIGURE 4. EFFICIENCY vs LOAD, $T_A = +25^{\circ}C$, $V_{IN} = 28V$

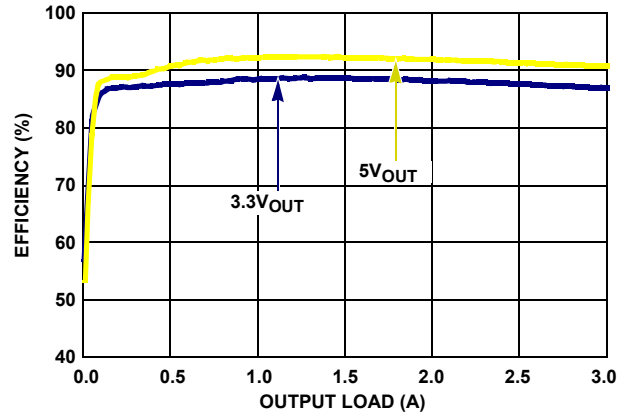


FIGURE 5. EFFICIENCY vs LOAD, $T_A = +25^{\circ}C$, $f_{SW} = 500kHz$, $V_{IN} = 12V$

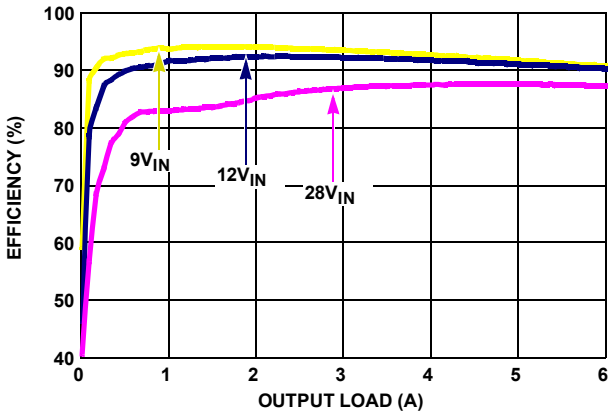


FIGURE 6. EFFICIENCY vs LOAD, $T_A = +25^{\circ}C$, CURRENT SHARING $5V_{OUT}$, $f_{SW} = 500kHz$

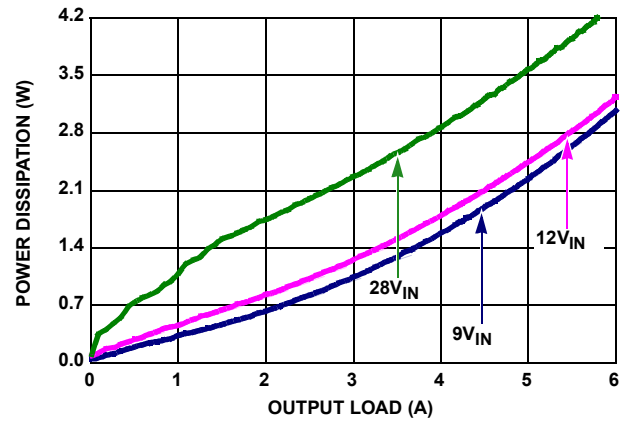


FIGURE 7. POWER DISSIPATION vs LOAD, $T_A = +25^{\circ}C$, CURRENT SHARING $5V_{OUT}$, $f_{SW} = 500kHz$

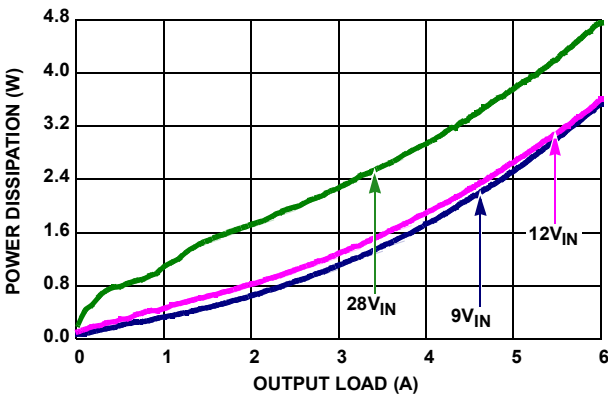


FIGURE 8. POWER DISSIPATION vs LOAD, $T_A = +85^{\circ}C$, CURRENT SHARING $5V_{OUT}$, $f_{SW} = 500kHz$

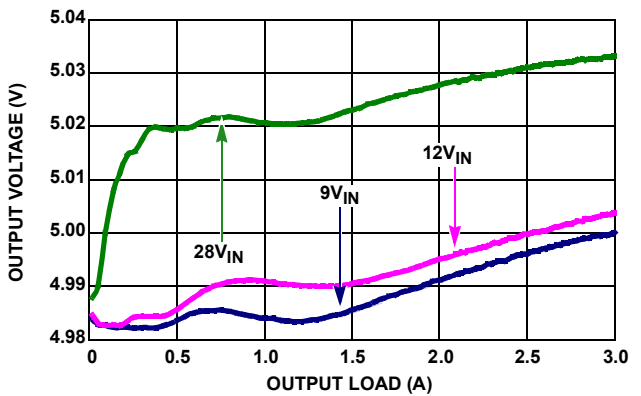


FIGURE 9. V_{OUT} REGULATION vs LOAD, CHANNEL 1, $T_A = +25^{\circ}C$, $5V_{OUT}$, $f_{SW} = 500kHz$

Typical Performance Curves

Circuit of Figure 2. $V_{IN} = 12V$, $V_{OUT1} = 5V$, $V_{OUT2} = 3.3V$, $I_{OUT1} = 3A$, $I_{OUT2} = 3A$, $T_A = -40^\circ C$ to $+85^\circ C$, unless otherwise noted. Typical values are at $T_A = +25^\circ C$. (Continued)

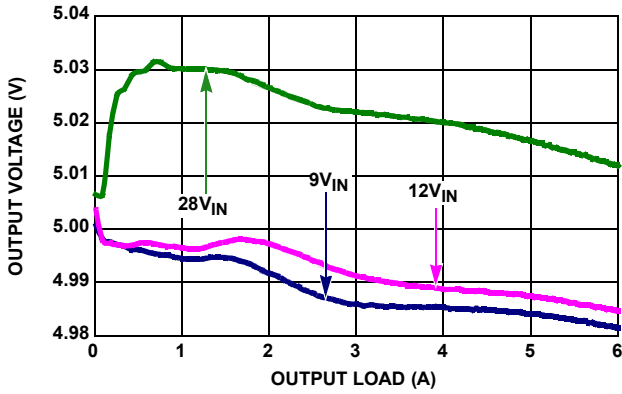


FIGURE 10. V_{OUT} REGULATION vs LOAD, CURRENT SHARING, $T_A = +25^\circ C$, $5V_{OUT}$, $f_{SW} = 500kHz$

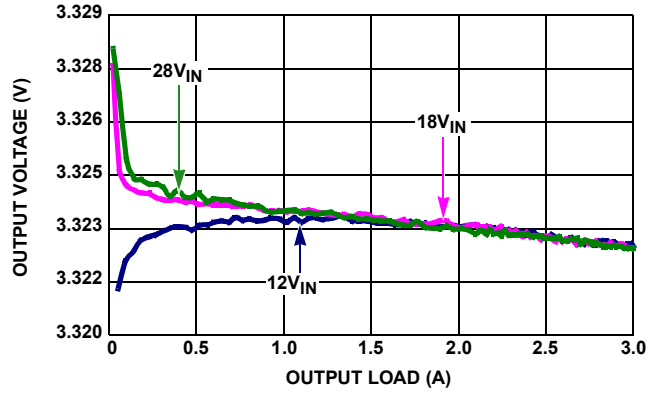


FIGURE 11. V_{OUT} REGULATION vs LOAD, CHANNEL 2, $T_A = +25^\circ C$, $3.3V_{OUT}$, $f_{SW} = 500kHz$

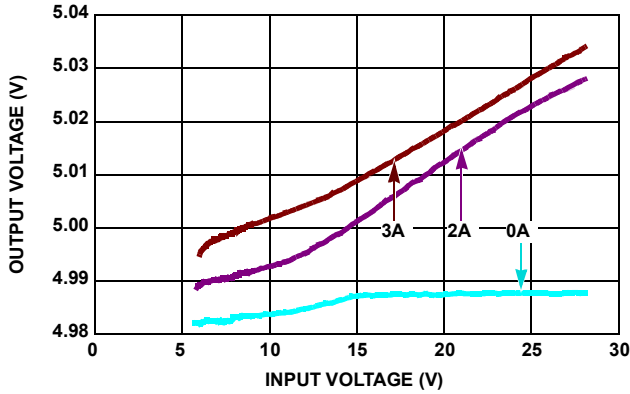


FIGURE 12. OUTPUT VOLTAGE REGULATION vs V_{IN} , CHANNEL 1, $T_A = +25^\circ C$, $5V_{OUT}$, $f_{SW} = 500kHz$

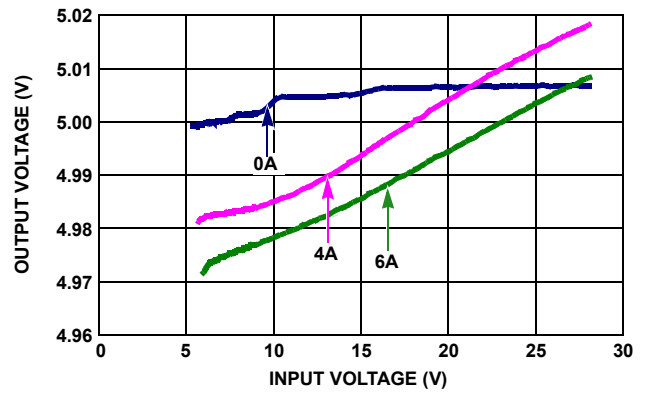


FIGURE 13. OUTPUT VOLTAGE REGULATION vs V_{IN} , CURRENT SHARING, $T_A = +25^\circ C$, $5V_{OUT}$, $f_{SW} = 500kHz$

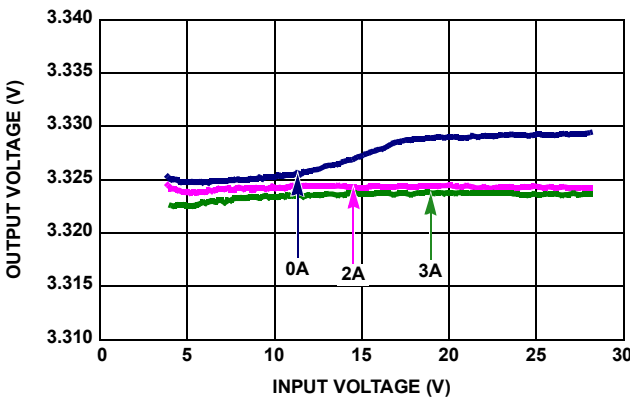


FIGURE 14. OUTPUT VOLTAGE REGULATION vs V_{IN} , CHANNEL 2, $T_A = +25^\circ C$, $3.3V_{OUT}$, $f_{SW} = 500kHz$

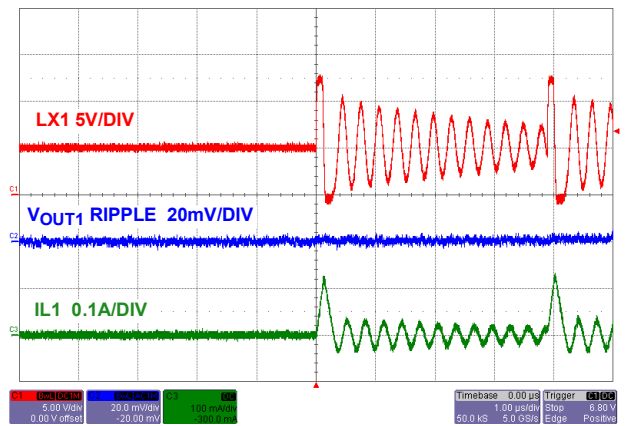


FIGURE 15. STEADY STATE OPERATION AT NO LOAD CHANNEL 1

Typical Performance Curves

Circuit of [Figure 2](#). $V_{IN} = 12V$, $V_{OUT1} = 5V$, $V_{OUT2} = 3.3V$, $I_{OUT1} = 3A$, $I_{OUT2} = 3A$, $T_A = -40^{\circ}C$ to $+85^{\circ}C$, unless otherwise noted. Typical values are at $T_A = +25^{\circ}C$. (Continued)

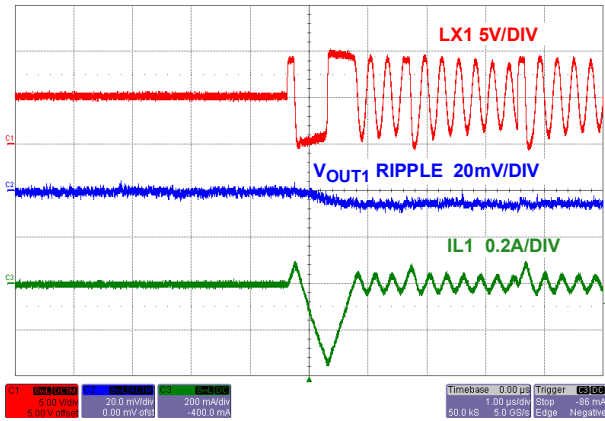


FIGURE 16. STEADY STATE OPERATION AT NO LOAD CHANNEL 1
($V_{IN} = 9V$)

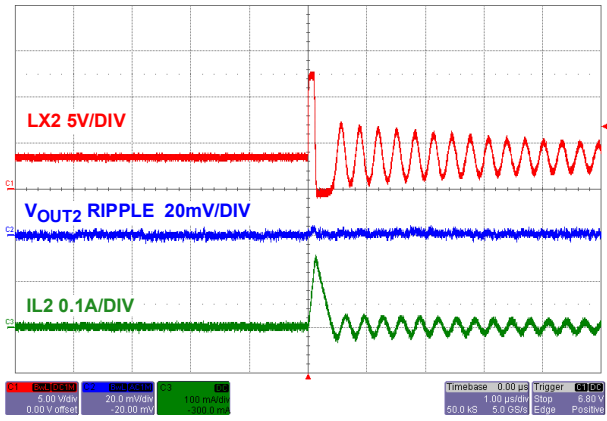


FIGURE 17. STEADY STATE OPERATION AT NO LOAD CHANNEL 2

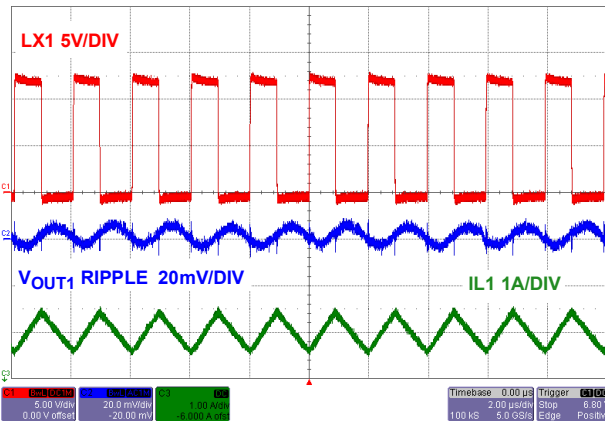


FIGURE 18. STEADY STATE OPERATION WITH FULL LOAD CHANNEL 1

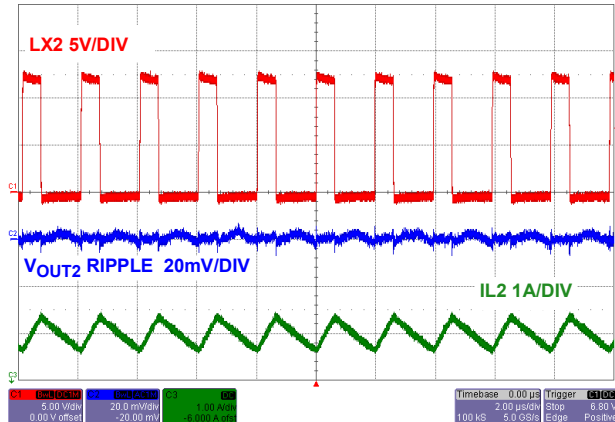


FIGURE 19. STEADY STATE OPERATION WITH FULL LOAD CHANNEL 2

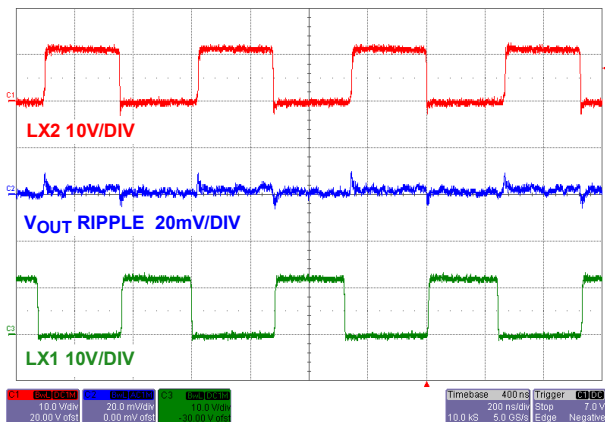


FIGURE 20. STEADY STATE OPERATION WITH FULL LOAD CURRENT SHARING

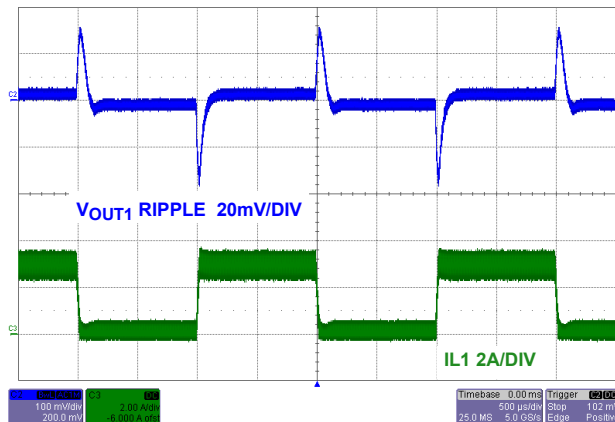


FIGURE 21. LOAD TRANSIENT CHANNEL 1

Typical Performance Curves

Circuit of [Figure 2](#). $V_{IN} = 12V$, $V_{OUT1} = 5V$, $V_{OUT2} = 3.3V$, $I_{OUT1} = 3A$, $I_{OUT2} = 3A$, $T_A = -40^{\circ}C$ to $+85^{\circ}C$, unless otherwise noted. Typical values are at $T_A = +25^{\circ}C$. (Continued)

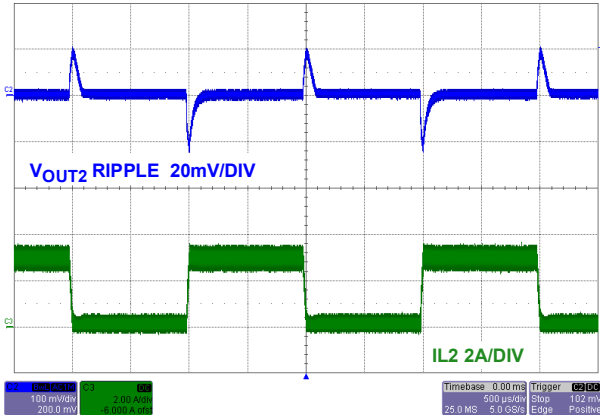


FIGURE 22. LOAD TRANSIENT CHANNEL 2

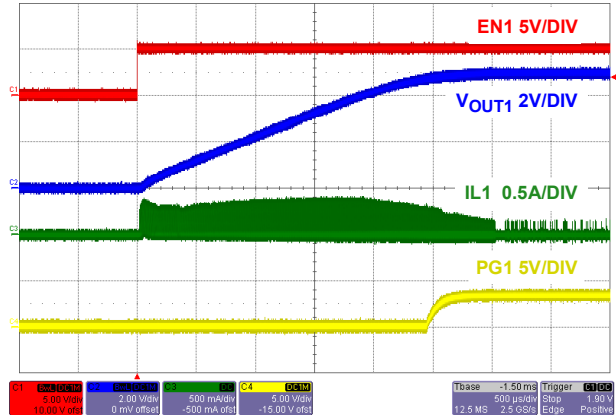


FIGURE 23. SOFT-START WITH NO LOAD CHANNEL 1

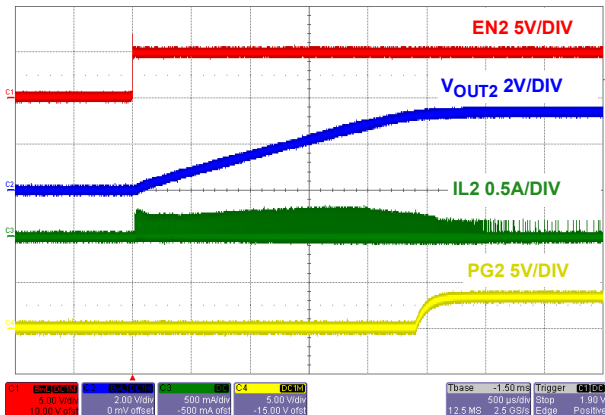


FIGURE 24. SOFT-START WITH NO LOAD CHANNEL 2

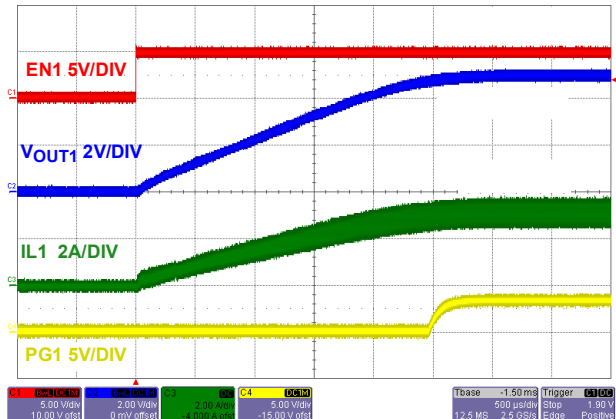


FIGURE 25. SOFT-START AT FULL LOAD CHANNEL 1

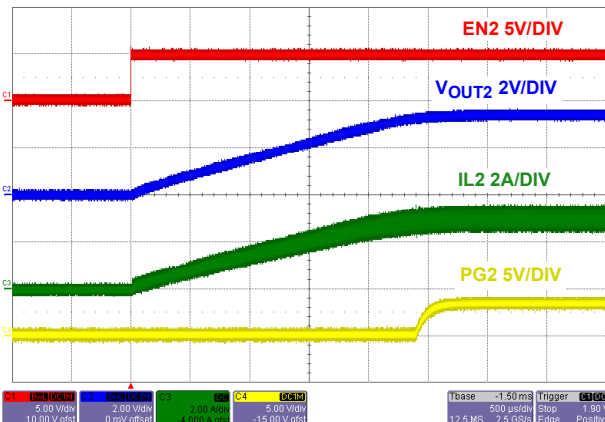


FIGURE 26. SOFT-START AT FULL LOAD CHANNEL 2

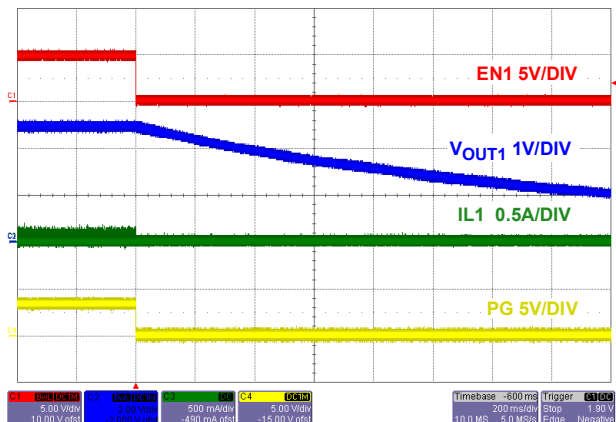


FIGURE 27. SOFT-DISCHARGE SHUTDOWN CHANNEL 1

Typical Performance Curves

Circuit of [Figure 2](#). $V_{IN} = 12V$, $V_{OUT1} = 5V$, $V_{OUT2} = 3.3V$, $I_{OUT1} = 3A$, $I_{OUT2} = 3A$, $T_A = -40^{\circ}C$ to $+85^{\circ}C$, unless otherwise noted. Typical values are at $T_A = +25^{\circ}C$. (Continued)

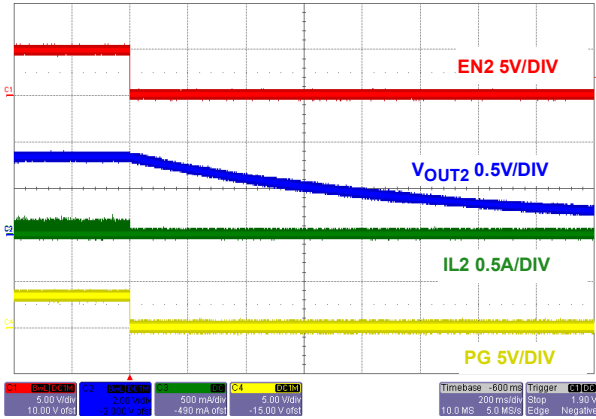


FIGURE 28. SOFT-DISCHARGE SHUTDOWN CHANNEL 2

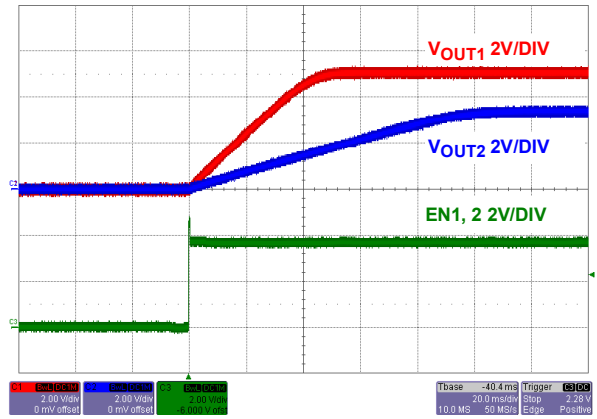


FIGURE 29. INDEPENDENT START-UP SEQUENCING AT NO LOAD

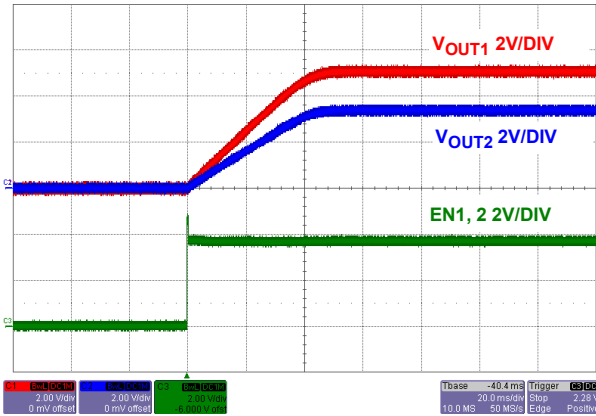


FIGURE 30. RATIOMETRIC START-UP SEQUENCING AT NO LOAD

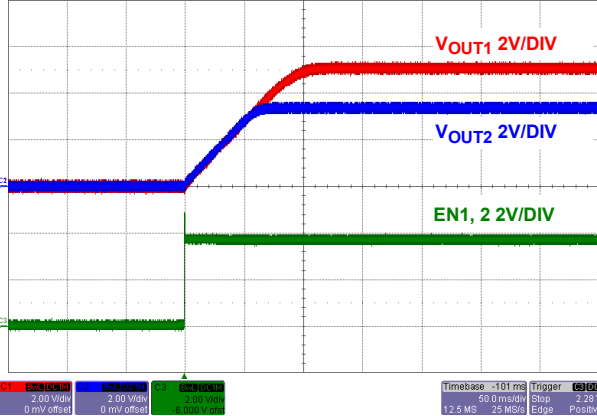


FIGURE 31. ABSOLUTE START-UP SEQUENCING AT NO LOAD

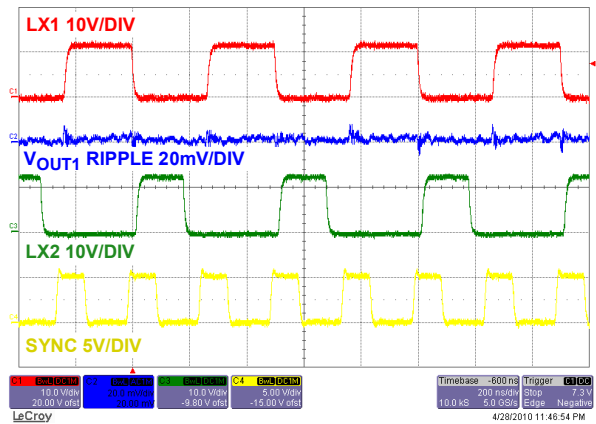


FIGURE 32. STEADY STATE OPERATION CHANNEL 1 AT FULL LOAD WITH SYNC FREQUENCY = 4MHz

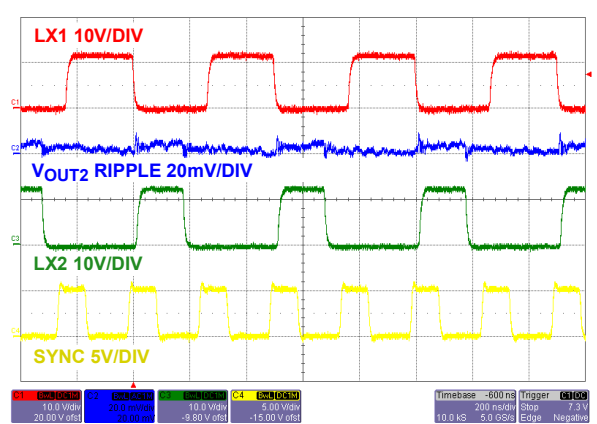


FIGURE 33. STEADY STATE OPERATION CHANNEL 2 AT FULL LOAD WITH SYNC FREQUENCY = 4MHz

Typical Performance Curves

Circuit of Figure 2. $V_{IN} = 12V$, $V_{OUT1} = 5V$, $V_{OUT2} = 3.3V$, $I_{OUT1} = 3A$, $I_{OUT2} = 3A$, $T_A = -40^{\circ}C$ to $+85^{\circ}C$, unless otherwise noted. Typical values are at $T_A = +25^{\circ}C$. (Continued)

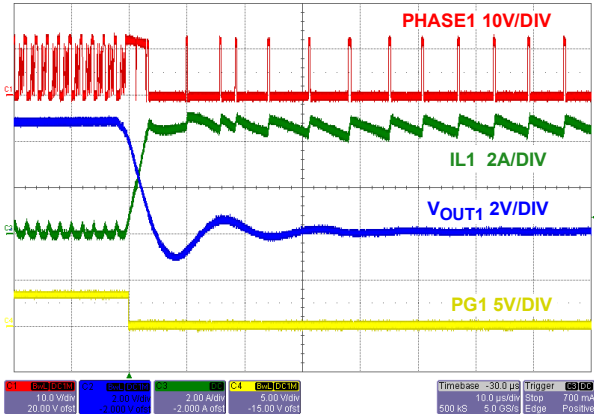


FIGURE 34. OUTPUT SHORT CIRCUIT CHANNEL 1

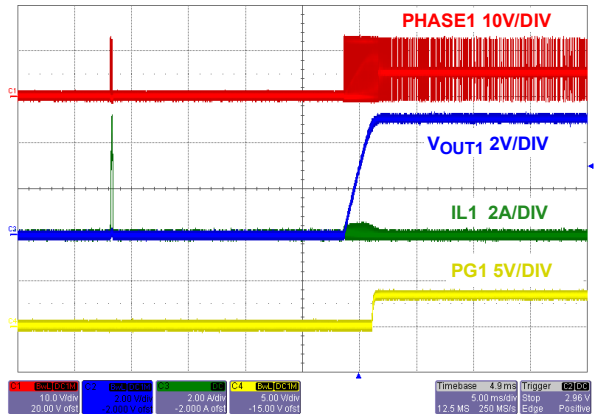


FIGURE 35. OUTPUT SHORT CIRCUIT HICCUP AND RECOVERY FOR CHANNEL 1

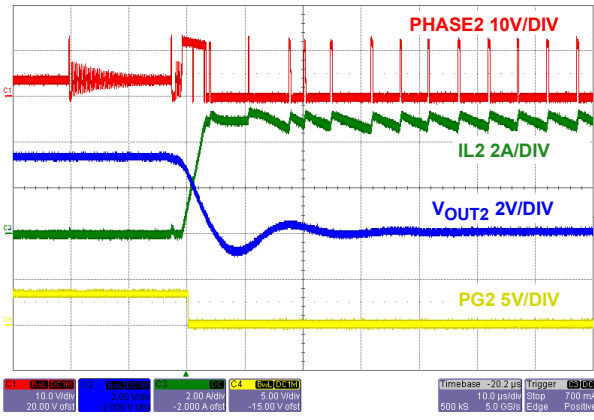


FIGURE 36. OUTPUT SHORT CIRCUIT CHANNEL 2

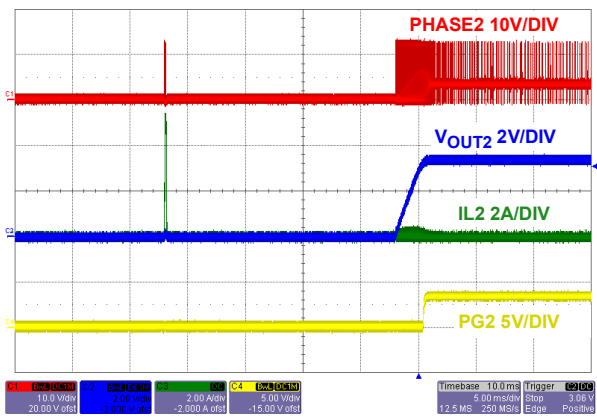


FIGURE 37. OUTPUT SHORT CIRCUIT HICCUP AND RECOVERY FOR CHANNEL 2

Detailed Description

The ISL85033 combines a standard buck PWM controller with integrated switching MOSFETs. The buck controller drives an internal N-Channel MOSFET and requires an external diode to deliver load current up to 3A. A Schottky diode is recommended for improved efficiency and performance over a standard diode. The standard buck regulator can operate from an unregulated DC source, such as a battery, with a voltage ranging from +4.5V to +28V. The converter output can be regulated to as low as 0.8V. These features make the ISL85033 ideally suited for FPGA, set-top boxes, LCD panels, DVD drives, and wireless chipset power applications.

The ISL85033 employs peak current-mode control loop, which simplifies feedback loop compensation and rejects input voltage variation. External feedback loop compensation allows flexibility in output filter component selection. The regulator switches at a default 500kHz and it can be adjusted from 300kHz to 2MHz with a resistor from FS to GND. The ISL85033 is synchronizable from 300kHz to 2MHz.

Operation Initialization

The power-on reset circuitry and enable inputs prevent false start-up of the PWM regulator output. Once all input criteria are met, the controller soft starts the output voltage to the programmed level.

Power-on Reset and Undervoltage Lockout

The ISL85033 automatically initializes upon receipt of input power supply. The power-on reset (POR) function continually monitors V_{IN1} voltage. While below the POR threshold, the controller inhibits switching of the internal power MOSFET. Once exceeded, the controller initializes the internal soft-start circuitry. If V_{IN1} supply drops below their falling POR threshold during soft-start or operation, the buck regulator is disabled until the input voltage returns.

Enable and Disable

When EN1 and EN2 are pulled low, the device enters shutdown mode and the supply current drops to a typical value of 20 μ A. All internal power devices are held in a high impedance state while in shutdown mode.

The EN pin enables the controller of the ISL85033. When the voltage on the EN pin exceeds its logic rising threshold, the controller initiates the 2ms soft-start function for the PWM regulator. If the voltage on the EN pin drops below the falling threshold, the buck regulator shuts down.

If EN1 and EN2 pins are driven by an external signal, the minimum off-time for EN1 and EN2 should be:

$$EN_T_off (\mu s) = 10\mu s \cdot C_{SS} / 2.2nF \quad (EQ. 1)$$

Where C_{SS} is the soft-start pin capacitor (nF). The ISL85033 does not have debouncing to the EN1 and EN2 external signals.

Power-good

PG is the open-drain output of a window comparator that continuously monitors the buck regulator output voltage via the FB

pin. PG is actively held low when EN is low and during the buck regulator soft-start period. After the soft-start period terminates, PG becomes high impedance as long as the output voltage (monitored on the FB pin) is above 90% of the nominal regulation voltage set by FB. When V_{OUT} drops 10% below the nominal regulation voltage, the ISL85033 pulls PG low. Any fault condition forces PG low until the fault condition is cleared by attempts to soft-start. There is an internal 5M Ω internal pull-up resistor.

Output Voltage Selection

The regulator output voltage is easily programmed using an external resistor divider to scale V_{OUT} relative to the internal reference voltage. The scaled voltage is applied to the inverting input of the error amplifier; refer to [Figure 38](#).

The output voltage programming resistor, R_2 , depends on the value chosen for the feedback resistor, R_3 , and the desired output voltage, V_{OUT} , of the regulator. [Equation 2](#) describes the relationship between V_{OUT} and resistor values. R_3 is often chosen to be in the 1k Ω to 10k Ω range.

$$R_2 = (V_{OUT} - 0.8) \cdot R_3 / 0.8 \quad (EQ. 2)$$

If the desired output voltage is 0.8V, then R_3 is left unpopulated and R_2 is 0 Ω .

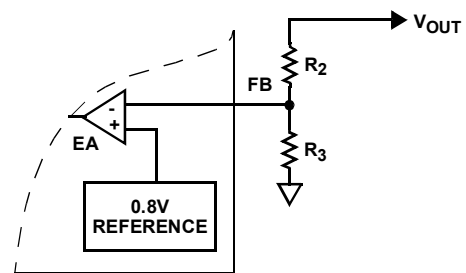


FIGURE 38. EXTERNAL RESISTOR DIVIDER

Output Tracking and Sequencing

The output tracking and sequencing between channels can be implemented by using the SS1 and SS2 pins. [Figures 39, 40](#) and [41](#) show several configurations for output tracking/sequencing for a 2.5V and 1.8V application. Independent soft-start for each channel is shown in [Figure 39](#) and measured in [Figure 29](#). The output ramp-time for each channel (t_{SS}) is set by the soft-start capacitor (C_{SS}) as shown by [Equation 3](#).

$$C_{SS}[\mu F] = 2.5 \cdot t_{SS}(s) \quad (EQ. 3)$$

The maximum C_{SS} value is recommended not to exceed 100nF.

Ratiometric tracking is achieved in [Figure 40](#) by using the same value for the soft-start capacitor on each channel; it is measured in [Figure 30](#).

By connecting a feedback network from V_{OUT1} to the SS2 pin with the same ratio that sets V_{OUT2} voltage, absolute tracking shown in [Figure 41](#) is implemented. The measurement is shown in [Figure 31](#). If the output of Channel 1 is shorted to GND, it will enter overcurrent hiccup mode, SS2 will be pulled low through the added resistor between V_{OUT1} and SS2 and this will force Channel 2 into hiccup as well. If the output of Channel 2 is

shorted to GND with V_{OUT1} in regulation, it will enter overcurrent hiccup mode with a very short hiccup waiting time. The reason is that V_{OUT1} is still in regulation and can pull up SS2 very quickly via the resistor added between V_{OUT1} and SS2.

Figure 42 illustrates output sequencing. When EN1 is high and EN2 is floating, OUT1 comes up first and OUT2 will not start until $OUT1 > 90\%$ of its regulation point. If EN1 is floating and EN2 is high, OUT2 comes up first and OUT1 will not start until $OUT2 > 90\%$ of its regulation point. If $EN1 = EN2 = \text{high}$, OUT1 and OUT2 come up at the same time. Please refer to Table 1 for conditions related to Figure 42 (Output Sequencing).

TABLE 1. OUTPUT SEQUENCING

EN1	EN2	V_{OUT1}	V_{OUT2}	NOTE
High	Floating	First	After $V_{OUT1} > 90\%$	
Floating	High	After $V_{OUT2} > 90\%$	First	
High	High	Same time as V_{OUT2}	Same time as V_{OUT1}	
Floating	Floating			Not Allowed

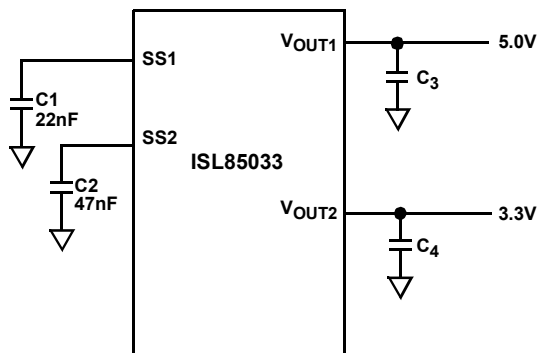


FIGURE 39. INDEPENDENT START-UP

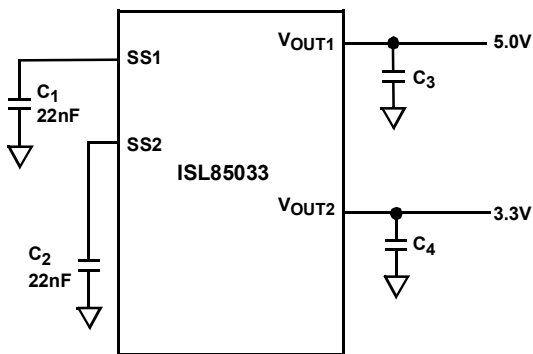


FIGURE 40. RATIOMETRIC START-UP

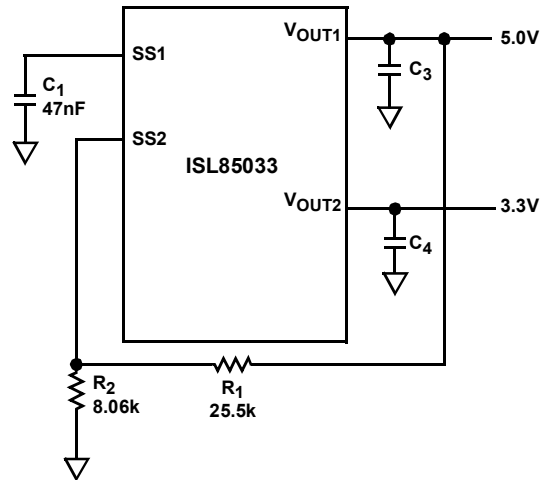


FIGURE 41. ABSOLUTE START-UP

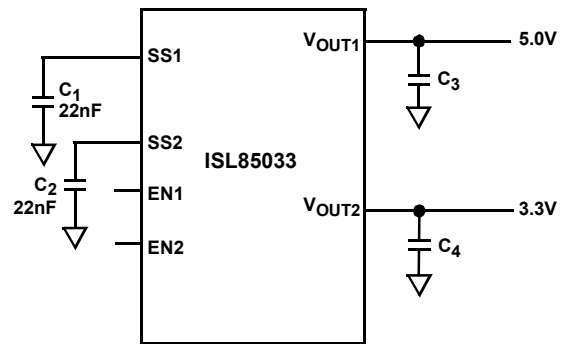


FIGURE 42. OUTPUT SEQUENCING

Protection Features

The ISL85033 limits the current in all on-chip power devices. Overcurrent protection limits the current on the two buck regulators and internal LDO for V_{CC} .

Buck Regulator Overcurrent Protection

During PWM on-time, current through the internal switching MOSFET is sampled and scaled through an internal pilot device. The sampled current is compared to a nominal 5A overcurrent limit. If the sampled current exceeds the overcurrent limit reference level, an internal overcurrent fault counter is set to 1 and an internal flag is set. The internal power MOSFET is immediately turned off and will not be turned on again until the next switching cycle.

The protection circuitry continues to monitor the current and turns off the internal MOSFET as described. If the overcurrent condition persists for 17 sequential clock cycles, the overcurrent fault counter overflows indicating an overcurrent fault condition exists. The regulator is shutdown and power-good goes low.

The buck controller attempts to recover from the overcurrent condition after waiting 8 soft-start cycles. The internal overcurrent flag and counter are reset. A normal soft-start cycle

is attempted and normal operation continues if the fault condition has cleared. If the overcurrent fault counter overflows during soft-start, the converter shuts down and this hiccup mode operation repeats.

Thermal Overload Protection

Thermal overload protection limits maximum junction temperature in the ISL85033. When the junction temperature (T_J) exceeds $+150^\circ\text{C}$, a thermal sensor sends a signal to the fault monitor.

The fault monitor commands the buck regulator to shutdown. When the junction temperature has decreased by 20°C , the regulator will attempt a normal soft-start sequence and return to normal operation. For continuous operation, the $+125^\circ\text{C}$ junction temperature rating should not be exceeded.

BOOT Undervoltage Protection

If the BOOT capacitor voltage falls below 2.5V, the BOOT undervoltage protection circuit will pull the phase pin low through a 1Ω switch for 400ns to recharge the capacitor. This operation may arise during long periods of no switching as in no load situations.

Application Guidelines

Operating Frequency

The ISL85033 operates at a default switching frequency of 500kHz if FS is tied to V_{CC} . Tie a resistor from FS to GND to program the switching frequency from 300kHz to 2MHz, as shown in Equation 4. [Minimum on-time of 150ns (typical) in conjunction with the input and output voltage should be considered when selecting the maximum operating frequency].

$$R_{FS}[\text{k}\Omega] = 122\text{k}\Omega \cdot (t - 0.17\mu\text{s}) \quad (\text{EQ. 4})$$

Where t is the switching period in μs .

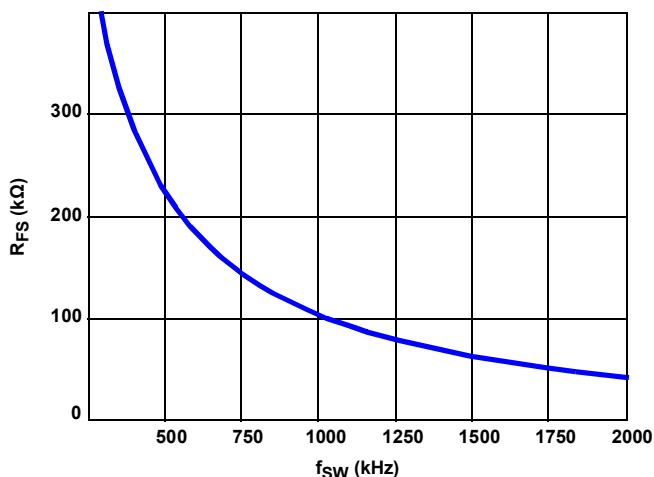


FIGURE 43. R_{FS} SELECTION vs f_{SW}

Synchronization Control

The frequency of operation can be synchronized up to 2MHz by an external signal applied to the SYNCIN pin. The falling edge on the SYNCIN triggers the rising edge of PHASE1/2. The switching frequency for each output is half of the SYNCIN frequency.

Output Inductor Selection

The inductor value determines the converter's ripple current. Choosing an inductor current requires a somewhat arbitrary choice of ripple current, ΔI . A reasonable starting point is 30% of total load current. The inductor value can then be calculated using Equation 5:

$$L = \frac{V_{IN} - V_{OUT}}{f_{SW} \times \Delta I} \times \frac{V_{OUT}}{V_{IN}} \quad (\text{EQ. 5})$$

Increasing the value of inductance reduces the ripple current and thus ripple voltage. However, the larger inductance value may reduce the converter's response time to a load transient. The inductor current rating should be such that it will not saturate in overcurrent conditions.

Buck Regulator Output Capacitor Selection

An output capacitor is required to filter the inductor current. The Output ripple voltage and transient response are 2 critical factors when considering output capacitance choice. The current mode control loop allows the usage of low ESR ceramic capacitors and thus smaller board layout. Electrolytic and polymer capacitors may also be used.

Additional consideration applies to ceramic capacitors. While they offer excellent overall performance and reliability, the actual in-circuit capacitance must be considered. Ceramic capacitors are rated using large peak-to-peak voltage swings and with no DC bias. In the DC/DC converter application, these conditions do not reflect reality. As a result, the actual capacitance may be considerably lower than the advertised value. Consult the manufacturers data sheet to determine the actual in-application capacitance. Most manufacturers publish capacitance vs DC bias so that this effect can be easily accommodated. The effects of AC voltage are not frequently published, but an assumption of ~20% further reduction will generally suffice. The result of these considerations can easily result in an effective capacitance 50% lower than the rated value. Nonetheless, they are a very good choice in many applications due to their reliability and extremely low ESR.

The following equations allow calculation of the required capacitance to meet a desired ripple voltage level. Additional capacitance may be used.

For the ceramic capacitors (low ESR):

$$V_{OUT\text{Tripple}} = \frac{\Delta I}{8 \cdot f_{SW} \cdot C_{OUT}} \quad (\text{EQ. 6})$$

Where ΔI is the inductor's peak-to-peak ripple current, f_{SW} is the switching frequency and C_{OUT} is the output capacitor.

If using electrolytic capacitors then:

$$V_{OUT\text{Tripple}} = \Delta I \cdot \text{ESR} \quad (\text{EQ. 7})$$

Regarding transient response needs, a good starting point is to determine the allowable overshoot in V_{OUT} if the load is suddenly removed. In this case, energy stored in the inductor will be transferred to C_{OUT} causing its voltage to rise. After calculating capacitance required for both ripple and transient needs, choose the larger of the calculated values. Equation 8 determines the required output capacitor value in order to achieve a desired overshoot relative to the regulated voltage.

$$C_{OUT} = \frac{I_{OUT}^2 \cdot L}{V_{OUT}^2 \cdot (V_{OUTMAX}/V_{OUT})^2 - 1} \quad (\text{EQ. 8})$$

Where V_{OUTMAX}/V_{OUT} is the relative maximum overshoot allowed during the removal of the load. For an overshoot of 5%, the equation becomes Equation 9:

$$C_{OUT} = \frac{I_{OUT}^2 \cdot L}{V_{OUT}^2 \cdot (1.05^2 - 1)} \quad (\text{EQ. 9})$$

Figure 44 shows the relationship of C_{OUT} and % overshoot at three different output voltages. L is assumed to be $7\mu\text{H}$ and I_{OUT} is 3A.

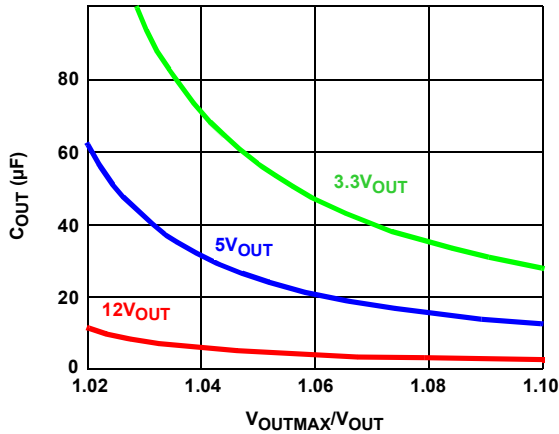


FIGURE 44. C_{OUT} vs OVERSHOOT V_{OUTMAX}/V_{OUT}

Current Sharing Configuration

In current sharing configuration, FB1 is connected to FB2, EN1 to EN2, COMP1 to COMP2 and V_{OUT1} to V_{OUT2} as shown in Figure 3 on page 5. As a result, the equivalent g_m doubles its single channel value. Since the two channels are out-of-phase, the frequency will be 2x the channel switching frequency. Ripple current cancellation will reduce the ripple current seen by the output capacitors and thus lower the ripple voltage. This results in the ability to use less capacitance than would be required by a single phase design of similar rating. Ripple current cancellation also reduces the ripple current seen at the input capacitors.

Input Capacitor Selection

To reduce the resulting input voltage ripple and to minimize EMI by forcing the very high frequency switching current into a tight local loop, an input capacitor is required. The input capacitor must have adequate ripple current rating, which can be approximated by Equation 10. If capacitors other than MLCC are used, attention must be paid to ripple and surge current ratings.

$$\frac{I_{RMS}}{I_o} = \sqrt{D - D^2} \quad (\text{EQ. 10})$$

Where $D = V_O/V_{IN}$

The input ripple current is graphically represented in Figure 45.

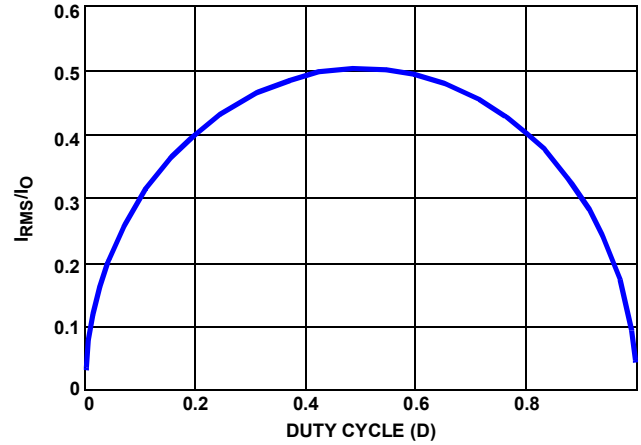


FIGURE 45. I_{RMS}/I_o vs DUTY CYCLE

A minimum of $10\mu\text{F}$ ceramic capacitance is required on each V_{IN} pin. The capacitors must be as close to the IC as physically possible. Additional capacitance may be used.

Loop Compensation Design

The ISL85033 uses a constant frequency current mode control architecture to achieve simplified loop compensation and fast loop transient response.

The compensator schematic is shown in Figure 47. As mentioned in the C_{OUT} selection, ISL85033 allows the usage of low ESR output capacitor. Choice of the loop bandwidth f_c is somewhat arbitrary but should not exceed $1/4$ of the switching frequency. As a starting point, the lower of 100kHz or $1/6$ of the switching frequency is reasonable. The following equations determine initial component values for the compensation, allowing the designer to make the selection with minimal effort. Further detail is provided in "Theory of Compensation" on page 20 to allow fine tuning of the compensator.

Compensation resistor R_1 is given by Equation 11:

$$R_1 = \frac{2\pi f_c V_o C_o R_T}{g_m V_{FB}} \quad (\text{EQ. 11})$$

Which, when applied to the ISL85033 becomes:

$$R_1 [\text{k}\Omega] = 0.008041 * f_c * V_o * C_o \quad (\text{EQ. 12})$$

Where C_o is the output capacitor value [μF], f_c = loop bandwidth [kHz] and V_o is the output voltage [V].

Compensation capacitors C_1 [nF], C_2 [pF] are given by Equation 13:

$$C_1 = \frac{C_o \times V_o \times (10)^3}{I_o \times R_1}, C_2 = \frac{C_o \times R_c \times (10)^6}{R_1} \quad (\text{EQ. 13})$$

Where I_o [A] is the output load current, R_1 (Ω) and R_c (Ω) is the ESR of the output capacitor C_o .

Example: $V_o = 5V$, $I_o = 3A$, $f_{SW} = 500kHz$, $f_c = 50kHz$,
 $C_o = 47\mu F/R_c = 5m\Omega$, then the compensation resistance
 $R_1 = 96k\Omega$.

The compensation capacitors are:

$C_1 = 815pF$, $C_2 = 2.5pF$ (There is approximately 3pF parasitic capacitance from V_{COMP} to GND; therefore, C_2 is optional).

Theory of Compensation

The sensed current signal is injected into the voltage loop to achieve current mode control to simplify the loop compensation design. The inductor is not considered as a state variable for current mode control and the system becomes a single order system. It is much easier to design a compensator to stabilize the voltage loop than voltage mode control. Figure 46 shows the small signal model of the synchronous buck regulator.

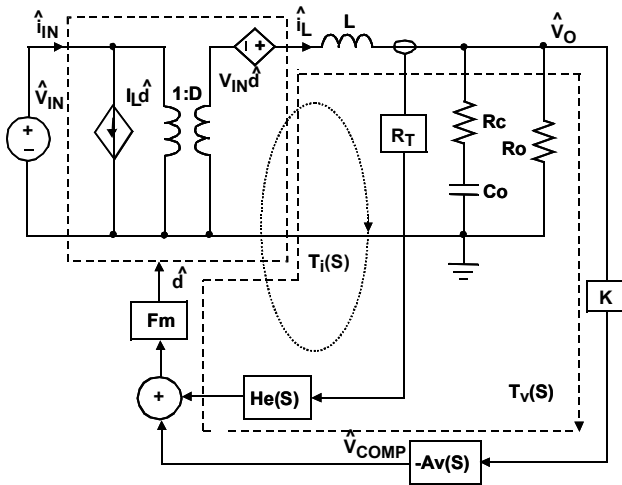


FIGURE 46. SMALL SIGNAL MODEL OF SYNCHRONOUS BUCK REGULATOR

PWM Comparator Gain F_m

The PWM comparator gain F_m for peak current mode control is given by Equation 14:

$$F_m = \frac{\hat{d}}{\hat{V}_{COMP}} = \frac{1}{(S_e + S_n)T_s} \quad (\text{EQ. 14})$$

Where S_e is the slew rate of the slope compensation and S_n is given by Equation 15:

$$S_n = R_T \frac{V_{IN} - V_o}{L} \quad (\text{EQ. 15})$$

Where R_T is transresistance and is the product of the current sensing resistance and gain of the current amplifier in current loop.

CURRENT SAMPLING TRANSFER FUNCTION $H_e(S)$

In current loop, the current signal is sampled every switching cycle. Equation 16 shows the transfer function:

$$H_e(S) = \frac{S^2}{\omega_n^2} + \frac{S}{\omega_n Q_n} + 1 \quad (\text{EQ. 16})$$

Where Q_n and ω_n are given by $Q_n = \frac{2}{\pi}$, $\omega_n = \pi f_s$.

Power Stage Transfer Functions

Transfer function $F_1(S)$ from control to output voltage is calculated in Equation 17:

$$F_1(S) = \frac{\hat{V}_o}{\hat{d}} = V_{IN} \frac{1 + \frac{S}{\omega_{esr}}}{\frac{S^2}{\omega_o^2} + \frac{S}{\omega_o Q_p} + 1} \quad (\text{EQ. 17})$$

Where $\omega_{esr} = \frac{1}{R_c C_o}$, $Q_p \approx R_o \sqrt{\frac{C_o}{L}}$, $\omega_o = \frac{1}{\sqrt{LC_o}}$

Transfer function $F_2(S)$ from control to inductor current is given by Equation 18:

$$F_2(S) = \frac{\hat{I}_o}{\hat{d}} = \frac{V_{IN}}{R_o + R_L} \frac{1 + \frac{S}{\omega_z}}{\frac{S^2}{\omega_o^2} + \frac{S}{\omega_o Q_p} + 1} \quad (\text{EQ. 18})$$

Where $\omega_z = \frac{1}{R_o C_o}$

Current loop gain $T_i(S)$ is expressed as Equation 19:

$$T_i(S) = R_T F_m F_2(S) H_e(S) \quad (\text{EQ. 19})$$

The voltage loop gain with open current loop is calculated in Equation 20:

$$T_v(S) = K F_m F_1(S) A_v(S) \quad (\text{EQ. 20})$$

The voltage loop gain with current loop closed is given by Equation 21:

$$L_v(S) = \frac{T_v(S)}{1 + T_i(S)} \quad (\text{EQ. 21})$$

Where $K = \frac{V_{FB}}{V_o}$, V_{FB} is the feedback voltage of the voltage error amplifier. If $T_i(S) \gg 1$, then Equation 21 can be simplified as shown in Equation 22:

$$L_v(S) = \frac{V_{FB} R_o + R_L}{V_o R_T} \frac{1 + \frac{S}{\omega_{esr}} A_v(S)}{1 + \frac{S}{\omega_p} H_e(S)}, \quad \omega_p \approx \frac{1}{R_o C_o} \quad (\text{EQ. 22})$$

Equation 22 shows that the system is a single order system, which has a single pole located at ω_p before the half switching frequency. Therefore, a simple type II compensator can be easily used to stabilize the system.

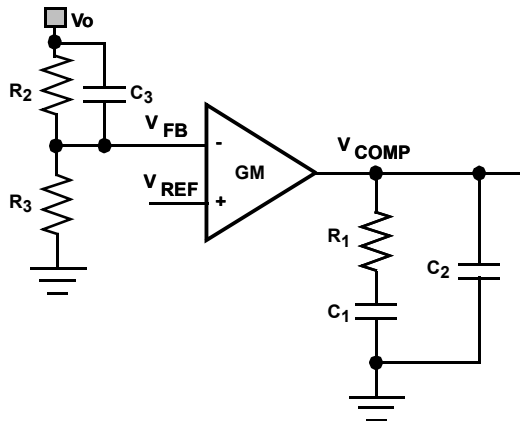


FIGURE 47. TYPE II COMPENSATOR

Figure 47 shows the type II compensator and its transfer function is expressed as Equation 23:

$$A_V(S) = \frac{\hat{v}_{COMP}}{\hat{v}_{FB}} = \frac{g_m}{C_1 + C_2} \frac{\left(1 + \frac{S}{\omega_{cz1}}\right) \left(1 + \frac{S}{\omega_{cz2}}\right)}{S \left(1 + \frac{S}{\omega_{cp}}\right)} \quad (\text{EQ. 23})$$

Where:

$$\omega_{cz1} = \frac{1}{R_1 C_1}, \quad \omega_{cz2} = \frac{1}{R_2 C_3}, \quad \omega_{cp} = \frac{C_1 + C_2}{R_1 C_1 C_2} \quad (\text{EQ. 24})$$

The compensator design goal is:

High DC gain

Loop bandwidth f_c : $\left(\frac{1}{4} \text{ to } \frac{1}{10}\right) f_{SW}$

Gain margin: >10dB

Phase margin: 40°

The compensator design procedure is shown in Equation 25:

$$\text{Put compensator zero } \omega_{cz1} = (1 \text{ to } 3) \frac{1}{R_o C_o} \quad (\text{EQ. 25})$$

Put one compensator pole at zero frequency to achieve high DC gain, and put another compensator pole at either ESR zero frequency or half switching frequency, whichever is lower.

The loop gain $T_V(S)$ at crossover frequency of f_c has unity gain.

Therefore, the compensator resistance R_1 is determined by

$$R_1 = \frac{2\pi f_c V_o C_o R_T}{g_m V_{FB}} \quad (\text{EQ. 26})$$

Where g_m is the transconductance of the voltage error amplifier, typically 200 μ A/V. Compensator capacitor C_1 is then given by Equation 27:

$$C_1 = \frac{1}{R_1 \omega_{cz}}, \quad C_2 = \frac{1}{2\pi R_1 f_{ESR}} \quad (\text{EQ. 27})$$

Example: $V_{IN} = 12V$, $V_o = 5V$, $I_o = 3A$, $f_{SW} = 500kHz$, $C_o = 22\mu F$ (derated value over voltage, temperature)/5m Ω , $L = 5.6\mu H$, $g_m = 200\mu s$, $R_T = 0.21$, $V_{FB} = 0.8V$, $S_e = 1.1 \times 10^5 V/s$, $S_n = 3.4 \times 10^5 V/s$, $f_c = 80kHz$, then compensator resistance $R_1 = 72k\Omega$.

Put the compensator zero at 6.6kHz ($\sim 1.5 \times C_o R_o$), and put the compensator pole at ESR zero, which is 1.45MHz. The compensator capacitors are:

$C_1 = 470pF$, $C_2 = 3pF$ (There is approximately 3pF parasitic capacitance from V_{COMP} to GND; therefore, C_2 is optional).

Figure 48A shows the simulated voltage loop gain. It is shown that it has 80kHz loop bandwidth with 69° phase margin and 15dB gain margin. Optional addition phase boost can be added to the overall loop response by using C_3 .

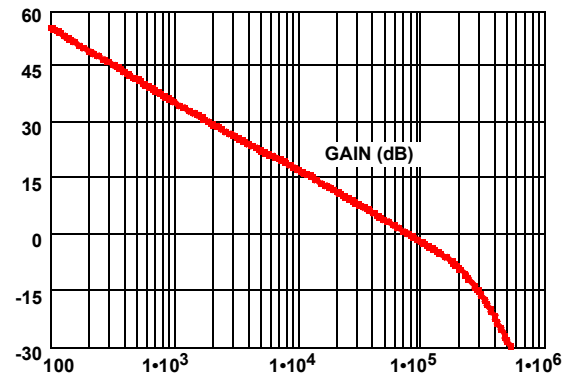


FIGURE 48A.

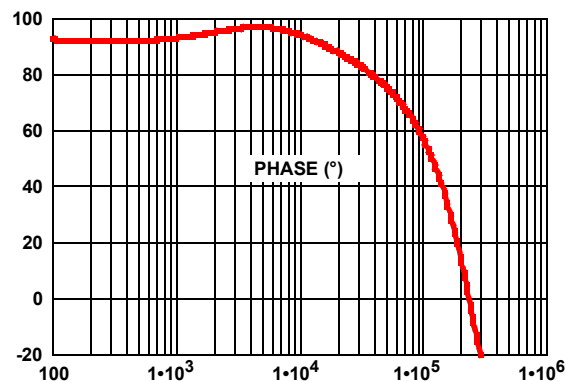


FIGURE 48B.

Rectifier Selection

Current circulates from ground to the junction of the external Schottky diode and the inductor when the high-side switch is off. As a consequence, the polarity of the switching node is negative with respect to ground. This voltage is approximately -0.5V (a Schottky diode drop) during the off-time. The rectifier's rated reverse breakdown voltage must be at least equal to the maximum input voltage, preferably with a 20% derating factor. The power dissipation when the Schottky diode conducts is expressed in Equation 28:

$$P_D [W] = I_{OUT} \cdot V_D \cdot \left(1 - \frac{V_{OUT}}{V_{IN}}\right) \quad (\text{EQ. 28})$$

Where:

The V_D is the voltage drop of the Schottky diode. Selection of the Schottky diode is critical in terms of the high temperature reverse bias leakage current, which is very dependent on V_{IN} and exponentially increasing with temperature. Due to the nature of

reverse bias leakage vs temperature, the diode should be carefully selected to operate in the worst case circuit conditions. Catastrophic failure is possible if the diode chosen experiences thermal runaway at elevated temperatures. See [AN1574](#), [AN1605](#), and [AN1584](#) for diode selection on the application circuit on [page 5](#).

Power Derating Characteristics

To prevent the ISL85033 from exceeding the maximum junction temperature, some thermal analysis is required. The temperature rise is given by [Equation 29](#):

$$T_{RISE} = (PD)(\theta_{JA}) \quad (\text{EQ. 29})$$

Where PD is the power dissipated by the regulator and θ_{JA} is the thermal resistance from the junction of the die to the ambient temperature. The junction temperature, T_J , is given by [Equation 30](#):

$$T_J = (T_A + T_{RISE}) \quad (\text{EQ. 30})$$

Where T_A is the ambient temperature. For the QFN package, the θ_{JA} is +38°C/W.

The actual junction temperature should not exceed the absolute maximum junction temperature of +125°C. When considering the thermal design, (consider the thermal needs of the rectifier diode).

The ISL85033 delivers full current at ambient temperatures up to +85°C if the thermal impedance from the thermal pad maintains the junction temperature below the thermal shutdown level, depending on the Input Voltage/Output Voltage combination and the switching frequency. The device power dissipation must be reduced to maintain the junction temperature at or below the thermal shutdown level. [Figure 49](#) illustrates the power derating versus ambient temperature for the ISL85033 evaluation kit. Note that the evaluation kit derating curve is based on total circuit dissipation, not IC dissipation alone.

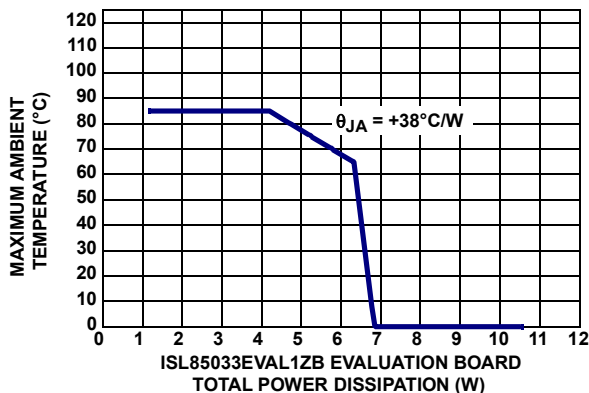


FIGURE 49. POWER DERATING CURVE

Layout Considerations

Layout is very important in high frequency switching converter designs. With power devices switching efficiently between 100kHz and 600kHz, the resulting current transitions from one device to another cause voltage spikes across the interconnecting impedances and parasitic circuit elements. These voltage spikes can degrade efficiency, radiate noise into the circuit, and lead to device overvoltage stress. Careful component layout and printed circuit board design minimizes these voltage spikes.

As an example, consider the turn-off transition of the upper MOSFET. Prior to turn-off, the MOSFET is carrying the full load current. During turn-off, current stops flowing in the MOSFET and is picked up by the Schottky diode. Any parasitic inductance in the switched current path generates a large voltage spike during the switching interval. Careful component selection, tight layout of the critical components and short, wide traces minimizes the magnitude of voltage spikes.

There are two sets of critical components in the ISL85033 switching converter. The switching components are the most critical because they switch large amounts of energy and therefore tend to generate large amounts of noise. Next are the small signal components which connect to sensitive nodes or supply critical bypass current and signal coupling.

A multilayer printed circuit board is recommended. [Figure 50](#) shows the connections of the critical components in the converter. Note that capacitors C_{IN} and C_{OUT} could each represent numerous physical capacitors. Dedicate one solid layer, (usually a middle layer of the PC board) for a ground plane and make all critical component ground connections with vias to this layer. Dedicate another solid layer as a power plane and break this plane into smaller islands of common voltage levels. Keep the metal runs from the PHASE terminals to the output inductor short. The power plane should support the input power and output power nodes. Use copper filled polygons on the top and bottom circuit layers for the phase nodes. Use the remaining printed circuit layers for small signal wiring.

In order to dissipate heat generated by the internal LDO and MOSFET, the ground pad should be connected to the internal ground plane through at least four vias. This allows the heat to move away from the IC and also ties the pad to the ground plane through a low impedance path.

The switching components should be placed close to the ISL85033 first. Minimize the length of the connections between the input capacitors, C_{IN} , and the power switches by placing them nearby. Position both the ceramic and bulk input capacitors as close to the upper MOSFET drain as possible. Position the output inductor and output capacitors between the upper and Schottky diode and the load.

The critical small signal components include any bypass capacitors, feedback components, and compensation components. Place the PWM converter compensation components close to the FB and COMP pins. The feedback resistors should be located as close as possible to the FB pin with vias tied straight to the ground plane as required.

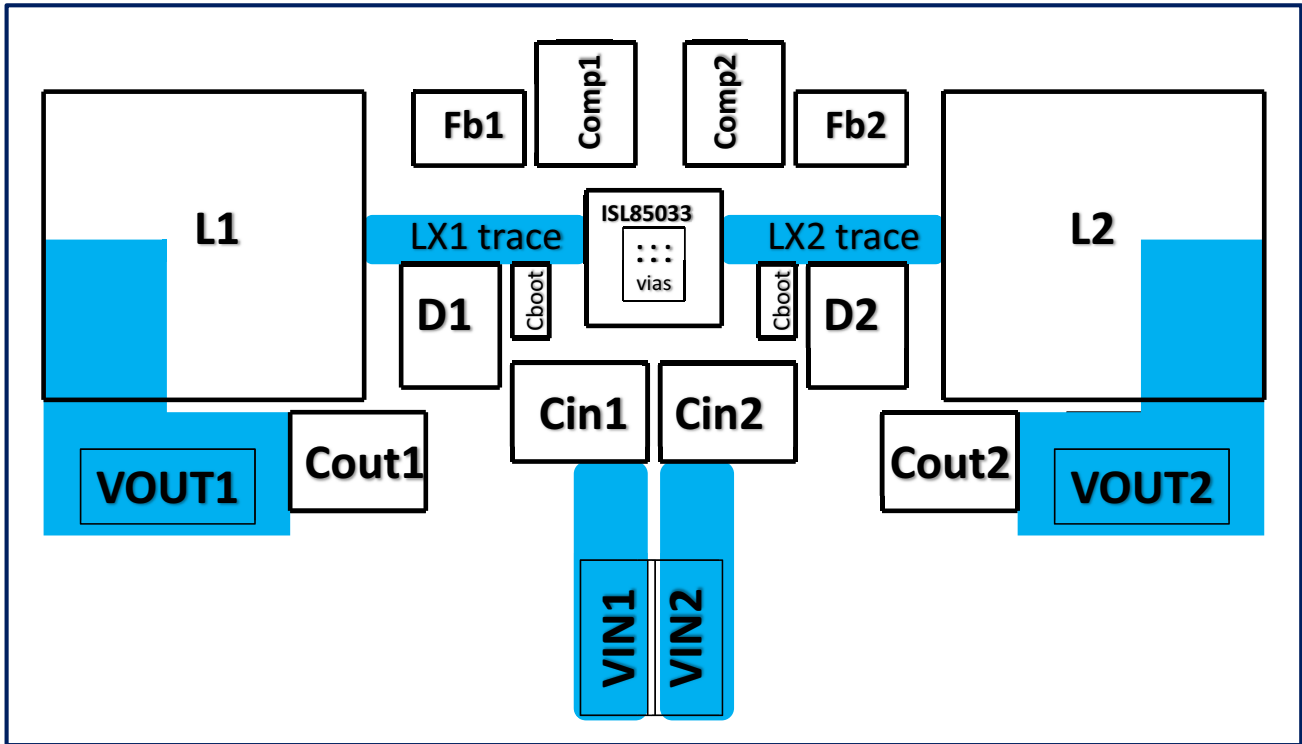


FIGURE 50. PRINTED CIRCUIT BOARD POWER PLANES AND ISLANDS

Revision History

The revision history provided is for informational purposes only and is believed to be accurate, but not warranted. Please go to web to make sure you have the latest Rev.

DATE	REVISION	CHANGE
Dec 14, 2023	8.02	Removed Related Literature section. Corrected Equation 12.
May 19, 2020	8.01	Updated Related Literature section. Updated Links throughout. Updated Ordering Information table. Removed About Intersil section. Updated disclaimer. Updated POD to the latest version, changes are as follows: -Added ± 0.05 tolerances to each dimension in Top View and Bottom View. -Added 2 degrees to Bottom view pin 1 index area dimension
Feb 17, 2015	8.00	Page 21, paragraph below Equation 27, changed "Co = 220 μ F/5m Ω ..." to "Co = 22 μ F (derated value over voltage, temperature)/5m Ω ..."
Apr 17, 2014	7.00	On page 16 in the "Output Tracking and Sequencing" changed the sentence "Maximum CSS value is 50nF" to "The maximum CSS value is recommended not to exceed 100nF". Figure 39 on page 17, changed C1 from 0.1 μ F to 22nF and C2 from 0.2 μ F to 47nF. Figure 40 on page 17, changed the value of both C1 and C2 to 22nF each. Figure 41 on page 17, changed C1 value to 47nF. Figure 42 on page 17, changed C1 and C2 value to 22nF each. On page 18 in the Operating Frequency chapter, after the sentence "Tie a resistor from FS to GND to program the switching frequency from 300kHz to 2MHz, as shown in Equation 4." Added : "Minimum on-time of 150ns (typical) in conjunction with input and output voltage should be considered when selecting the maximum operating frequency".

The revision history provided is for informational purposes only and is believed to be accurate, but not warranted. Please go to web to make sure you have the latest Rev. (Continued)

DATE	REVISION	CHANGE
Nov 2, 2011	6.00	In the "Pin Descriptions" on page 3, added the following to end of EN1, EN2 description: "If EN1, EN2 pins are driven by an external signal, the minimum off-time for EN1, EN2 should be: $EN_T_off (\mu s) = 10\mu s \cdot C_{SS} / 2.2nF$ where CSS is the soft-start pin capacitor (nF). ISL85033 does not have debouncing to EN1, EN2 external signals." In "Enable and Disable" on page 16, adding the following: "If EN1, EN2 pins are driven by an external signal, the minimum off-time for EN1, EN2 should be: $EN_T_off (\mu s) = 10\mu s \cdot C_{SS} / 2.2nF$ where CSS is the soft-start pin capacitor (nF). ISL85033 does not have debouncing to EN1, EN2 external signals." Adding the following after Equation 3 on page 16: "Maximum C _{SS} value is 50nF". In the "Pin Descriptions" on page 3, added the following to the end of SS1, SS2 description: "Maximum C _{SS} value is 50nF".
Oct 7, 2011	5.00	In "Absolute Maximum Ratings" on page 8, changed: PHASE1/2 to GND -0.3V to +33V to: PHASE1/2 to GND -7V (<10ns) / -0.3V (DC) to +33V
Sep 14, 2011	4.00	In the "Pin Descriptions" on page 4, for "SYNCIN", replaced "Set the internal switching frequency 20% lower than the external SYNC frequency applied to the SYNCIN pin" with "External SYNC frequency applied to the SYNCIN pin should be at least 2.4 times the internal switching frequency setting" On page 8, changed parameter name from "Synchronization Frequency" to "Switching Frequency".
Apr 5, 2011	3.00	Converted to new template Updated Intersil Trademark statement at bottom of page 1 per directive from Legal. Page 2 in the pin table definition, please add the following sentence to the Pin 11 (VCC) description after "Output of the internal 5V linear regulator. Decouple to PGND with a minimum of 4.7μF ceramic capacitor." "This pin is provided only for internal bias of ISL85033 (not to be loaded with current over 10mA)." Page 8 all Absolute Max Ratings that are "5.5" should be changed to "5.9"
Oct 15, 2010	2.00	Added the following sentence to the "SYNCIN" description in the "Pin Descriptions" table on page 4: "Set the internal switching frequency 20% lower than the external SYNC frequency applied to the SYNCIN pin." Added the following sentence to "Synchronization Control" on page 18: "The switching frequency for each output is half of the SYNCIN frequency." Revised tape and reel note in "Ordering Information" on page 7 from: "Add "-T" suffix for Tape and Reel. Please refer to TB347 for details on reel specifications" to: "Add "-T*" suffix for Tape and Reel. Please refer to TB347 for details on reel specifications" This is in order to delineate all tape and reel options. Corrected Eq. 2 on page 16 from: $R_3 = \frac{R_2 \times 0.8V}{V_{OUT} - 0.8V}$ to: $R_2 = (V_{OUT} - 0.8) \cdot R_3 / 0.8$ Revised preceding paragraph from: "The output voltage programming resistor, R ₃ , depends on the value chosen for the feedback resistor, R ₂ , and the desired output voltage, V _{OUT} , of the regulator. Equation 2 describes the relationship between V _{OUT} and resistor values. R ₂ is often chosen to be in the 1kΩ to 10kΩ range." to: "The output voltage programming resistor, R ₂ , depends on the value chosen for the feedback resistor, R ₃ , and the desired output voltage, V _{OUT} , of the regulator. Equation 2 describes the relationship between V _{OUT} and resistor values. R ₃ is often chosen to be in the 1kΩ to 10kΩ range."
Jul 21, 2010	1.00	Changed MIN/MAX for "Soft-start Charging Current" on page 8 from 1.5/2.5μA to 1.4/2.6μA
Jul 18, 2010	0.00	Initial Release.

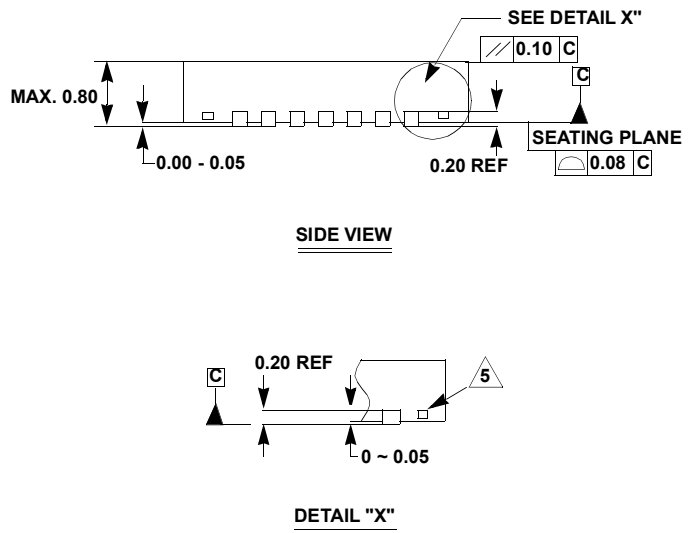
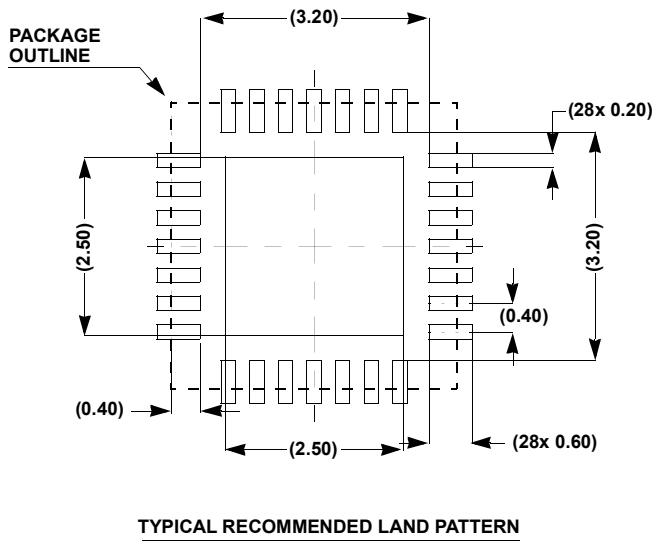
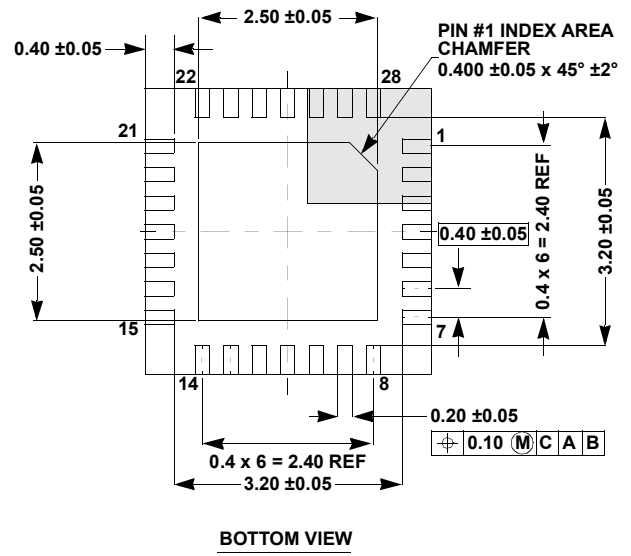
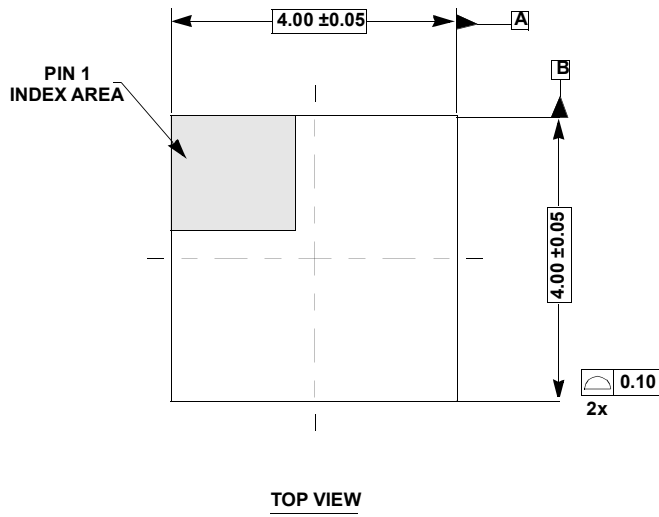
Package Outline Drawing

For the most recent package outline drawing, see [L28.4x4](#).

L28.4x4

28 Lead Thin Quad Flat No-Lead Plastic Package

Rev 1, 6/15



NOTES:

- Controlling dimensions are in mm.
Dimensions in () are for reference only.
- Unless otherwise specified, tolerance : Decimal ± 0.05
Angular $\pm 2^\circ$
- Dimensioning and tolerancing conform to AMSE Y14.5M-1994.
- Bottom side Pin#1 ID is diepad chamfer as shown.
- Tiebar shown (if present) is a non-functional feature.

IMPORTANT NOTICE AND DISCLAIMER

RENESAS ELECTRONICS CORPORATION AND ITS SUBSIDIARIES (“RENESAS”) PROVIDES TECHNICAL SPECIFICATIONS AND RELIABILITY DATA (INCLUDING DATASHEETS), DESIGN RESOURCES (INCLUDING REFERENCE DESIGNS), APPLICATION OR OTHER DESIGN ADVICE, WEB TOOLS, SAFETY INFORMATION, AND OTHER RESOURCES “AS IS” AND WITH ALL FAULTS, AND DISCLAIMS ALL WARRANTIES, EXPRESS OR IMPLIED, INCLUDING, WITHOUT LIMITATION, ANY IMPLIED WARRANTIES OF MERCHANTABILITY, FITNESS FOR A PARTICULAR PURPOSE, OR NON-INFRINGEMENT OF THIRD PARTY INTELLECTUAL PROPERTY RIGHTS.

These resources are intended for developers skilled in the art designing with Renesas products. You are solely responsible for (1) selecting the appropriate products for your application, (2) designing, validating, and testing your application, and (3) ensuring your application meets applicable standards, and any other safety, security, or other requirements. These resources are subject to change without notice. Renesas grants you permission to use these resources only for development of an application that uses Renesas products. Other reproduction or use of these resources is strictly prohibited. No license is granted to any other Renesas intellectual property or to any third party intellectual property. Renesas disclaims responsibility for, and you will fully indemnify Renesas and its representatives against, any claims, damages, costs, losses, or liabilities arising out of your use of these resources. Renesas' products are provided only subject to Renesas' Terms and Conditions of Sale or other applicable terms agreed to in writing. No use of any Renesas resources expands or otherwise alters any applicable warranties or warranty disclaimers for these products.

(Disclaimer Rev.1.0 Mar 2020)

Corporate Headquarters

TOYOSU FORESIA, 3-2-24 Toyosu,
Koto-ku, Tokyo 135-0061, Japan
www.renesas.com

Contact Information

For further information on a product, technology, the most up-to-date version of a document, or your nearest sales office, please visit:
www.renesas.com/contact/

Trademarks

Renesas and the Renesas logo are trademarks of Renesas Electronics Corporation. All trademarks and registered trademarks are the property of their respective owners.