

RRH47000

NDIR CO₂ Sensor

Description

The RRH47000 sensor module uses non-dispersive infrared (NDIR) technology to accurately measure CO₂ in a compact package size while ensuring competitive pricing.

An integrated relative humidity and temperature sensor enables calibration and compensation of the NDIR sensor for precise operation in different environments. The integrated sensor signal conditioning and an MCU allow algorithms to use the correlation between all built-in sensing elements to improve the accuracy of each measurement.

CO₂ level is a key parameter for indoor air quality. The sensor module enables active, real-time monitoring of CO₂ along with humidity and temperature, allowing automated demand-controlled ventilation and environment control for better air quality, energy efficiency, and wellbeing of occupants.

RRH47000 is configurable with selectable UART or I²C interface, with a 40.8 × 19.7 × 9.1 mm package.

Features

- Best-in-class NDIR CO₂ sensor technology
- Integrated temperature and humidity sensor
- CO₂ measurement range: 0 ppm to 5000 ppm
- CO₂ Accuracy: typical ±75ppm
- Current consumption: < 50mA at 1s sample time
- I²C and UART interface
- Package: 40.8 × 19.7 × 9.1 mm pin type
- Long term stability and long lifetime >15 years
- Supply Voltage: 4.5V to 5.5V
- Compliant with RESET[®], California Title 24, UBA and WELL Building Standard[™]

Applications

- HVAC / industrial automation / building control
- Air quality monitors
- Home appliances / air purifiers
- IoT devices
- Agriculture / greenhouses



Figure 1. Sensor Module

Contents

1. Overview	4
1.1 Functional Overview	4
1.2 Block Diagram	5
2. Pin Information	6
2.1 Pin Assignments	6
2.2 Pin Descriptions	6
3. Specifications	7
3.1 Absolute Maximum Ratings	7
3.2 Recommended Operating Conditions	7
4. Sensor Module Specifications	8
4.1 CO ₂ Sensor Specifications	8
4.2 Humidity and Temperature Sensor Specifications	8
5. Sensor Placement	9
6. Sensor Correction	10
6.1 Automatic Baseline Correction (ABC)	10
6.2 Manual Baseline Correction	10
7. Functional Description	11
7.1 UART Interface	11
7.1.1 Typical Application Circuit for UART Interface	11
7.1.2 UART Transmission Characteristics	11
7.1.3 Basic Data Transmission Format UART	12
7.1.4 UART Command Description	12
7.2 I ² C Interface	16
7.2.1 Typical Application Circuit for I ² C Interface	16
7.2.2 I ² C Transmission Characteristics	17
7.2.3 I ² C Features and Timing	17
7.2.4 Basic Data Transmission Format I ² C	18
7.2.5 I ² C Command Description	18
7.3 Calculating CO ₂ , Temperature, and Relative Humidity Output	21
7.4 Checksum Calculation	22
8. Storage and Handling	22
9. Marking Diagram	23
10. Quality and Reliability	23
11. Package Outline Drawings	23
12. Ordering Information	23
13. Revision History	24

Figures

Figure 1. Sensor Module	1
Figure 2. Functional Overview of RRH47000	4
Figure 3. Functional Block Diagram of RRH47000	5
Figure 4. Pin Assignments – Top View	6
Figure 5. Sensor Placement Recommendation	9
Figure 6. Application Circuit for UART Communication	11
Figure 7. Data Transmission Format UART Communication	12
Figure 8. Application Circuit for I ² C Communication	16
Figure 9. I ² C Timing Diagram	17
Figure 10. Data Transmission Format I ² C Communication	18
Figure 11. Sticker Label RRH47000	23

Tables

Table 1. Pin Descriptions	6
Table 2. Absolute Maximum Ratings	7
Table 3. Electrical Specifications	7
Table 4. CO ₂ Sensor Specifications	8
Table 5. Humidity and Temperature Sensor Specifications, T _A = +25°C, V _{DD} = 1.71V to 3.6V	8
Table 6. UART Protocol Format Description	12
Table 7. Overview of Available UART Commands	12
Table 8. Example Request to Disable “Automatic Baseline Correction”	14
Table 9. Example Request to Open ABC and Set Correction Cycle	14
Table 10. Example Request to Change Correction Cycle	14
Table 11. I ² C Transmission Characteristics	17
Table 12. I ² C Timing Parameters	17
Table 13. Overview of Available I ² C Commands	18
Table 14. Equations to Calculate the Measurement Outputs	21
Table 15. Calculation Example for Measurement Outputs	21
Table 16. Example Checksum Calculation for UART	22
Table 17. Example Checksum Calculation for I ² C	22

1. Overview

1.1 Functional Overview

This CO₂ sensor uses a non-dispersive infrared (NDIR) detection method. The sensor consists of four main components:

1. **Infrared Source:** Emits a beam of infrared light.
2. **Sample Chamber:** A chamber where the gas sample is introduced.
3. **Optical Filter:** An IR filter positioned in front of the detector, allowing only specific wavelengths of infrared light to pass through. This ensures that only the light absorbed by CO₂ reaches the detector.
4. **Infrared Detector:** Measures the intensity of the infrared light that passes through the filter and sample chamber

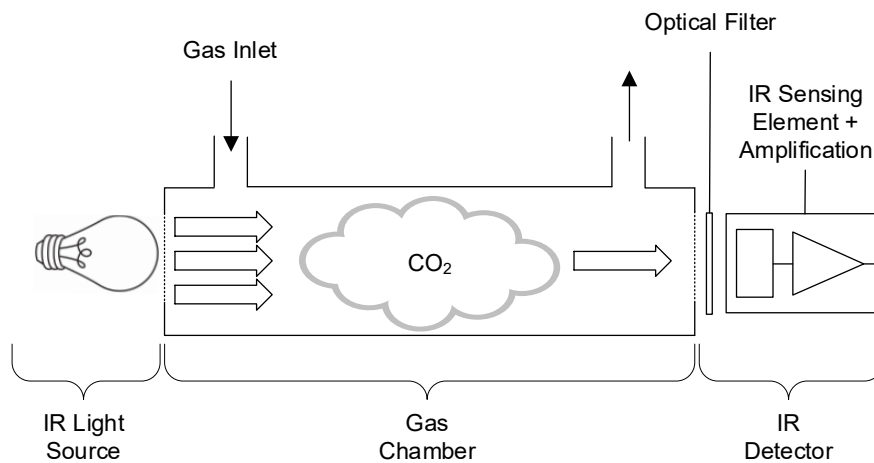


Figure 2. Functional Overview of RRH47000

Inside the sensor, an infrared light source emits a specific wavelength, in this case 4.26μm, that is absorbed by CO₂ molecules. A filter blocks all other wavelengths of light. The remaining light passes through the gas chamber and the sensor measures the intensity of light that reaches it. As CO₂ concentration increases, more light is absorbed, and the sensor output signal changes accordingly. This relationship between light absorption and gas concentration is described by the Lambert-Beer Law.

The Lambert-Beer Law, also known as Beer's Law, quantifies the relationship between the concentration of a gas and the absorption of light. The law is mathematically expressed as:

$$A = \varepsilon \cdot c \cdot l$$

where:

- (A) is the absorbance (no units)
- (ε) is the molar absorptivity or extinction coefficient ($L \cdot mol^{-1} \cdot cm^{-1}$)
- (c) is the concentration of the absorbing species in the sample ($mol \cdot L^{-1}$)
- (l) is the path length through which the light passes in the sample (cm)

This law illustrates that absorbance is directly proportional to the concentration of the absorbing species and the path length the light travels through the sample.

1.2 Block Diagram

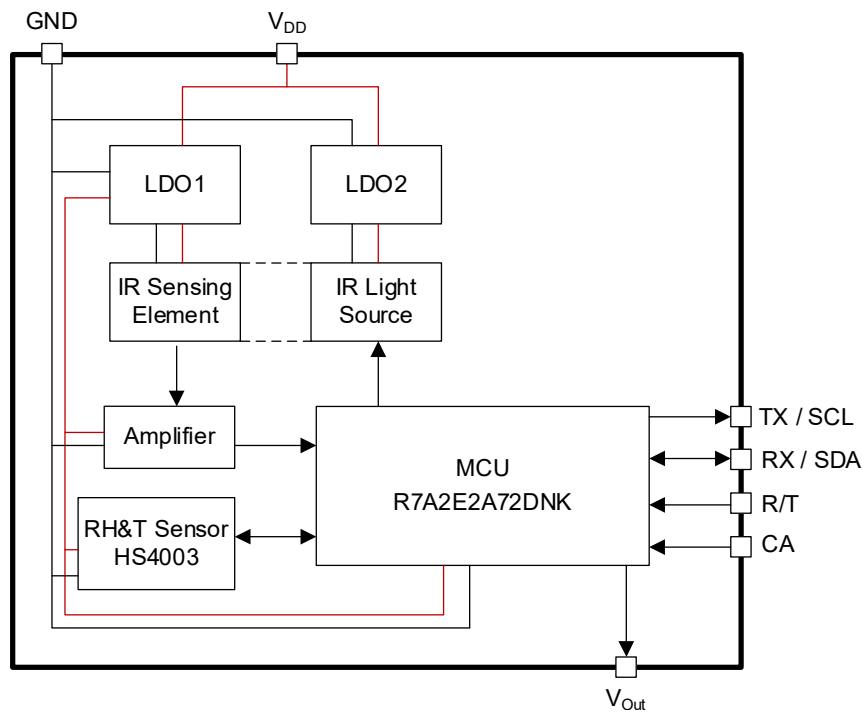


Figure 3. Functional Block Diagram of RRH47000

2. Pin Information

2.1 Pin Assignments

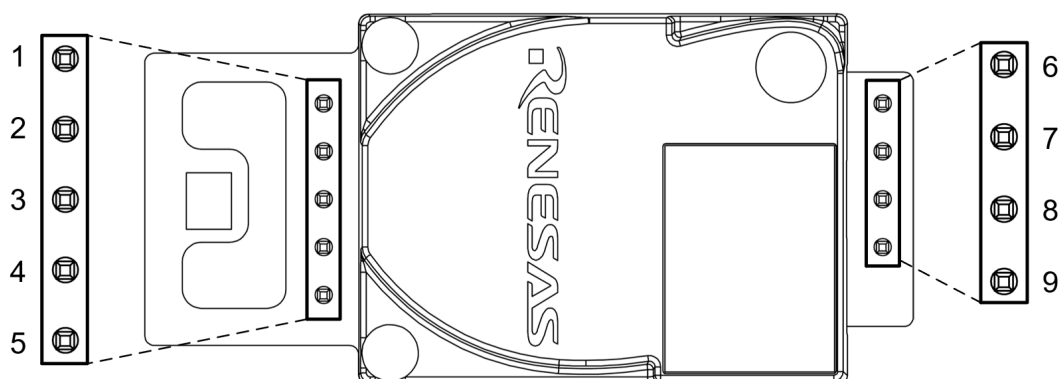


Figure 4. Pin Assignments – Top View

2.2 Pin Descriptions

Table 1. Pin Descriptions

Pin Number	Pin Name	Description
1	V _{Out}	Power output (+3.3V/100mA).
2	RX	UART-RX (Receiving).
	SDA	I ² C data (slave address 0x31).
3	TX	UART-TX (Sending).
	SCL	I ² C clock.
4	R/T	Output mode selection, high level or floating for UART, low level for I ² C.
5	CA	Manual Correction.
6	V _{DD}	Power supply input (+4.5V to +5.5V).
7	GND	Ground.
8	DNC	Do not connect. Leave floating.
9	DNC	Do not connect. Leave floating.

3. Specifications

3.1 Absolute Maximum Ratings

Caution: Do not operate at or near the maximum ratings listed for extended periods of time. Exposure to such conditions can adversely impact product reliability and result in failures not covered by warranty.

Table 2. Absolute Maximum Ratings

Parameter	Minimum	Maximum	Unit
Supply Voltage	3.7	6	V
Storage Temperature Range	-40	85	°C

3.2 Recommended Operating Conditions

Table 3. Electrical Specifications

Parameter	Condition	Minimum	Typical	Maximum	Unit
Operating Supply Voltage	-	4.5	5	5.5	V
Operating/Storage Humidity Range	Non-condensing	0	-	95	%RH
Operating Temperature Range	-	-10	-	50	°C
Storage Temperature Range	-	-30	-	70	°C
Sleep Current	-	-	5	-	mA
Average Current	1s sample time	-	10	-	mA
Peak Current ^[1]	1s sample time	-	-	220	mA
Sampling Interval	-	-	1	-	s
Preheating time	-	30	-	-	s
Startup Time for Communication	UART	0.5	-	-	s
	I ² C	3	-	-	s
Signal Output Voltage Level	UART/I ² C	-	3.3	-	V

1. Describes the peak current when emitter is switched on.

4. Sensor Module Specifications

4.1 CO₂ Sensor Specifications

This sensor module is fully compliant with several well-established standards, ensuring its reliability and accuracy in various applications. It meets the requirements set by UBA¹ (Umweltbundesamt), WELL™ Building Standard², RESET® Air Standard³, and California Title 24⁴. This allows the sensors to be used in residential, commercial, and industrial environments.

Table 4. CO₂ Sensor Specifications

Parameter	Conditions	Minimum	Typical	Maximum	Unit
CO ₂ Measurement range, default ^[1]	Fast ABC turned on	400	-	5000	ppm
CO ₂ Measurement range, extended	Fast ABC turned off	0	-	5000	ppm
Operating Temperature Range	-	-10	-	50	°C
Accuracy ^{[2][3]}	0 to 5000 ppm, -10°C~50°C and 0-85%RH	-	±75	± (30+ 3% of reading)	ppm
Accuracy Drift	Without regular ABC	-	3	-	ppm/day
Life span	-	15	-	-	years
Response time	$T_{90\%}$	-	80	-	s

1. Sensor is designed to measure in the range 0~5000ppm; nevertheless, exposure to concentrations below 400ppm may result in incorrect operation of ABC algorithm and should be avoided for model with auto baseline correction (ABC) ON.
2. In normal IAQ applications, accuracy is defined after minimum three (3) ABC (automatic baseline correction) periods of continuous operation with ABC on.
3. Specification is referenced to certified calibration mixtures. Uncertainty of calibration gas mixtures (vendor dependent, typical ±2%) have to be added to the specified accuracy for absolute measurement.

4.2 Humidity and Temperature Sensor Specifications

Table 5. Humidity and Temperature Sensor Specifications, T_A = +25°C, V_{DD} = 1.71V to 3.6V

Parameter	Condition	Minimum	Typical	Maximum	Unit
Humidity Sensor					
Range	-	0	-	100	%RH
Accuracy ^[1]	20% to 80%RH	-	±3.5	-	%RH
Resolution	14-bit	-	0.04	-	%RH
Hysteresis	-	-	-	±1.0	%RH

¹ Umweltbundesamt, Gesundheitliche Bewertung von Kohlendioxid in der Innenraumluft, (Bundesgesundheitsblatt - Gesundheitsforschung - Gesundheitsschutz, 2008).

² WELL v2 pilot, Q4 2022.

³ RESET Air Standard v2.0 Grade B, 2018.

⁴ California Building Energy Efficiency Standards for Residential and Nonresidential Buildings, 2022.

Parameter	Condition	Minimum	Typical	Maximum	Unit
Non-linearity from Response Curve	20% to 80% RH	-	±0.15	±0.25	%RH
Long-Term Stability	-	-	±0.1	-	%RH/Yr
Response Time Constant ^[2] (τ_H)	20% to 80% RH Still Air	3.0	4.0	6.0	s
Temperature Sensor					
Range	-	-40	-	125	°C
Accuracy	-	-	±0.5	-	°C
Resolution	14-bit	-	0.01	-	°C
Response Time Constant ^[3] (τ_T)	-	-	>2.0	-	s
Long-Term Stability	-	-	-	0.03	°C/Yr

1. Monotonic increases from 20 to 80% RH after sensor has been stabilized at 50% RH.
2. Initial value to 63% of total variation. Response time depends on system airflow.
3. Initial value to 63% of total variation. Response time depends on system thermal mass and air flow.

5. Sensor Placement

To ensure a proper airflow to the CO₂ sensing path, a minimum distance of 1.5mm between the area of the waterproof filter and the other components must be considered. Not keeping the minimum distance will result in a slower sensor response time to environmental changes.

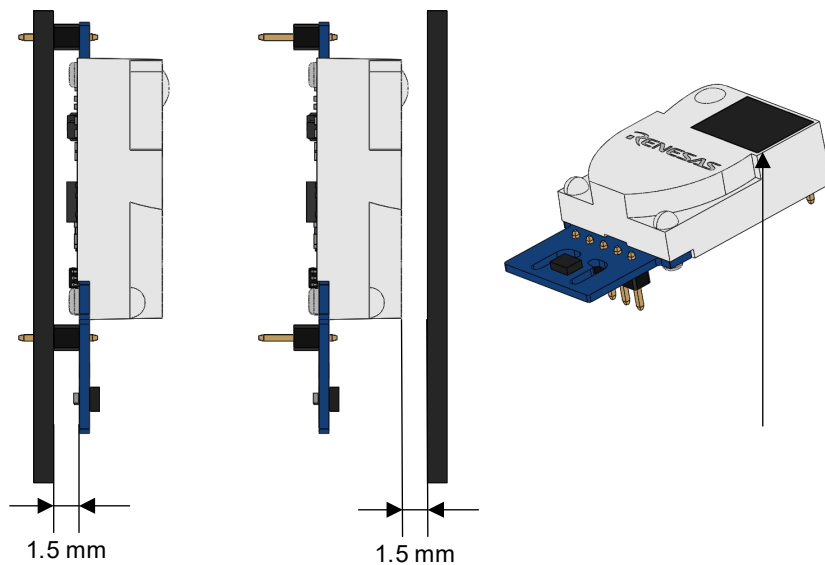


Figure 5. Sensor Placement Recommendation

6. Sensor Correction

6.1 Automatic Baseline Correction (ABC)

To ensure optimal performance, handle the CO₂ sensor with care during transport and installation. Rough handling, sensor aging, and drastic environmental changes may cause a reduction in accuracy.

The sensor incorporates an auto-baseline correction (ABC) feature to automatically compensate for drift. This feature operates as follows:

- **Initial Baseline Correction:** After the sensor is powered on, it continuously monitors the CO₂ levels for 24 hours. The lowest measured concentration during this period is established as the new baseline.
- **Periodic Baseline Correction:** Following the initial 24-hour period, the sensor automatically performs baseline correction every 7 days. The time interval for the periodic baseline correction can be adjusted.

For the ABC feature to function correctly, the sensor must be exposed to fresh air (approximately 400ppm CO₂) during both the initial 24-hour period and subsequent 7-day correction cycles. Ensure the sensor's locations allows for such exposure.

6.2 Manual Baseline Correction

To quickly restore sensor accuracy after installation or some special event, perform a manual baseline correction. To do this, place the sensor in an environment with a stable CO₂ concentration of approximately fresh, clean air (400 ppm). Connect the CA pin of the sensor to GND for at least 3 seconds. The total duration of the manual baseline correction is determined by the distance in ppm between the current ppm level and the set baseline level. The sensor requires 1 additional second for every 25 ppm.

Example calculation for a 400ppm baseline and 500ppm current CO₂ reading:

3s (trigger) + 1s (calc/storage) + 4s ((500ppm – 400ppm) / 25ppm) = 8s (total)

Manual correction can also be performed by sending a command to the sensor. Refer to the communication protocol documentation ([7.1.4.7](#) and [7.2.5.4](#)) for details on how to send this command.

7. Functional Description

7.1 UART Interface

7.1.1 Typical Application Circuit for UART Interface

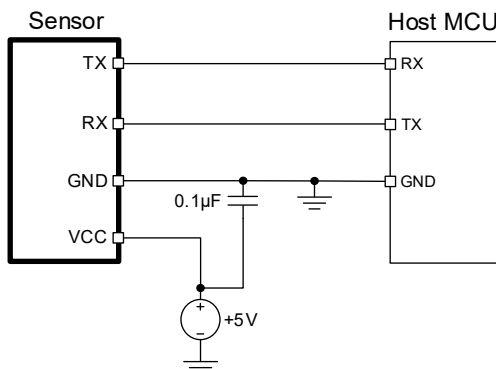


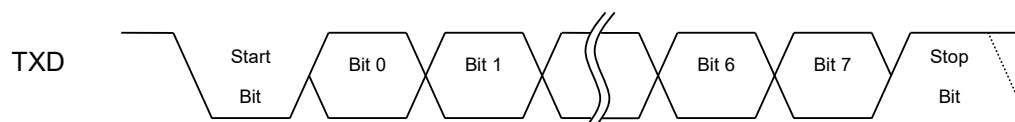
Figure 6. Application Circuit for UART Communication

7.1.2 UART Transmission Characteristics

Each data frame consists of a start bit, data, and stop bit. Data is sent asynchronously within each data frame. The data is all hexadecimal data (for example: "46" for decimal [70]). After power-on, the sensor needs at least 0.5s to start communication via UART.

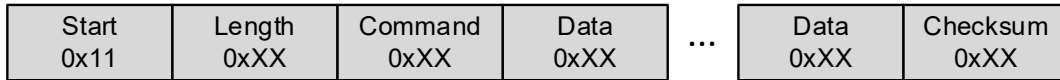
[x x] is for single-byte data (unsigned, 0-255); for double data, high byte is in front of low byte.

Parameter	Value
Baud Rate	9600 bps
Data Bite Size	8-bit
Stop Bit Size	1-bit
Parity	No
Flow Control	No



7.1.3 Basic Data Transmission Format UART

Command Request



Command Response

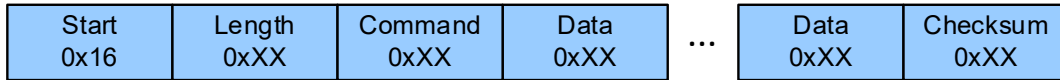


Figure 7. Data Transmission Format UART Communication

Table 6. UART Protocol Format Description

Protocol Format	Description
Start	Master to slave is fixed to [0x11], slave to master is fixed to [0x16].
Length	Length of frame bytes = data length +1 (including Command + Data).
Command	See Table 7 .
Data	Data of writing or reading, length is not fixed.
Check Sum	See Checksum Calculation .

7.1.4 UART Command Description

7.1.4.1 Overview of UART Commands

Table 7. Overview of Available UART Commands

Code	Action	Request Bytes	Response Bytes
0x0B	Set Measurement Range.	5	4
	Get Measurement Range.	4	5
0x31	Get Measurement Results.	4	12
0x10	Set ABC Parameters.	10	4
0x0F	Get ABC Parameters.	4	10
0x03	Set CO ₂ Baseline Manually.	6	4
0x1F	Get Serial Number.	4	20
0x1E	Get Firmware Version Number.	4	15

7.1.4.2 Set Measurement Range

Read the current measurement range setting.

	Value	Bytes [Hex]	Description
Command	0x0B	-	-
Request bytes	5	[0x11] [0x02] [0x0B] [D1] [CS]	-
Response bytes	4	[0x16] [0x02] [0x0B] [DE]	[D1]: 0 = 0 – 5000 ppm 1 = 400 – 5000 ppm

7.1.4.3 Get Measurement Range

Read the current measurement range setting.

	Value	Bytes [Hex]	Description
Command	0x0B	-	-
Request bytes	4	[0x11] [0x01] [0x0B] [0xE3]	-
Response bytes	5	[0x16] [0x02] [0x0B] [D1] [CS]	[D1]: 0 = 0 – 5000 ppm 1 = 400 – 5000 ppm

7.1.4.4 Get Measurement Results

Read all measurement results of the RRH47000. Returns CO₂ (ppm), temperature (°C), and humidity (%RH) bytes. For more information on how to convert these bytes into the respective measure, see section 7.3.

	Value	Bytes [Hex]	Description
Command	0x31	-	-
Request bytes	4	[0x11] [0x01] [0x31] [0xBD]	-
Response bytes	12	[0x16] [0x09] [0x31] [D1] ... [D8] [CS]	[D1] and [D2]: CO ₂ Results [D3] and [D4]: Reserved [D5] and [D6]: Temperature Results [D7] and [D8]: Humidity Results

7.1.4.5 Set ABC parameters

This function is used to set the automatic baseline correction (ABC) parameters. The ABC function is crucial for maintaining the accuracy and reliability of the sensor's long-term CO₂ measurements. By periodically recalibrating the sensor to a baseline CO₂ concentration, typically representing fresh outdoor air, the ABC function compensates for sensor drift and ensures consistent performance.

A fast automatic baseline correction (fast ABC) occurs when the sensor undergoes a correction process outside the set correction period (default 24 h/7 days). This correction is typically triggered during periods of exceptionally low CO₂ concentrations that are unrealistic for fresh air (below 400ppm). The fast ABC ensures that the sensor quickly adapts to new baseline CO₂ concentrations, thereby maintaining its accuracy and reliability in dynamic conditions.

The CO₂ baseline value is used to set the lowest expected CO₂ concentrations to what the ABC references. This feature can be utilized to ensure accuracy in environments where fresh air is higher or lower than 400ppm, ensuring accuracy in different environments.

	Value	Bytes [Hex]	Description
Command	0x10	-	-
Request bytes	10	[0x11] [0x07] [0x10] [D1] ... [D6] [CS]	[D1]: Reserved, default 0x64 [D2]: Enable/disable auto correction (0: enable all (default), 1: enable only ABC, 2: enable only fast ABC, 3: disable all) [D3]: Correction cycle period (1-30 days, default is 7 days) [D4]: High byte CO ₂ baseline value, default 0x01 (400) [D5]: Low byte CO ₂ baseline value , default 0x90 (400) [D6]: Reserved, default 0x64
Response bytes	4	[0x16] [0x01] [0x10] [0xD9]	-

7.1.4.5.1 Disable all ABC

The automatic baseline correction functions are enabled by default. To disable this function, set [2] = 3.

Table 8. Example Request to Disable “Automatic Baseline Correction”

	Value	Bytes [Hex]
Request bytes	10	[0x11] [0x07] [0x10] [0x64] [0x03] [0x07] [0x01] [0x90] [0x64] [0x76]
Response bytes	4	[0x16] [0x01] [0x10] [0xD9]

7.1.4.5.2 Enable ABC and Set Correction Cycle

To turn the automatic baseline correction (ABC) function back on after disabling it, set [D2] to 0. Additionally, set the correction cycle period to 7 days.

Table 9. Example Request to Open ABC and Set Correction Cycle

	Value	Bytes [Hex]
Request bytes	10	[0x11] [0x07] [0x10] [0x64] [0x00] [0x07] [0x01] [0x90] [0x64] [0x78]
Response bytes	4	[0x16] [0x01] [0x10] [0xD9]

7.1.4.5.3 Change the Correction Cycle Period

The correction cycle is 7 days by default. For example, if want to change the correction cycle to 10 days, the user should set the [D3] = 0A.

Table 10. Example Request to Change Correction Cycle

	Value	Bytes [Hex]
Request bytes	10	[0x11] [0x07] [0x10] [0x64] [0x00] [0x0A] [0x01] [0x90] [0x64] [0x75]
Response bytes	4	[0x16] [0x01] [0x10] [0xD9]

7.1.4.6 Get ABC Parameters

Read the current ABC parameter set.

	Value	Bytes [Hex]	Description
Command	0x0F	-	-
Request bytes	4	[0x11] [0x01] [0x0F] [0xDF]	-
Response bytes	10	[0x16] [0x07] [0x0F] [D1] ... [D6] [CS]	[D1]: Reserved, default 0x64 [D2]: Enabled/disabled auto correction (0: enabled all (default), 1: enabled only ABC, 2: enabled only fast ABC, 3: disabled all) [D3]: Correction cycle period (1-30 days optional, default is 7 days) [D4]: High byte CO ₂ baseline value, default 0x01 (400) [D5]: Low byte CO ₂ baseline value , [D6]: Reserved, default 0x64

7.1.4.7 Set CO₂ Baseline Manually

Correct current CO₂ reading to a target concentration. Use the following equation to calculate D1 and D2. The correction range is 400 to 1500 ppm. Convert the decimal values to hexadecimal before writing them to the sensor.

$$CO_2 = [D1] \cdot 256 + [D2]$$

Before correction, make sure that the CO₂ concentration in the current environment is in the correction target range. Let the RRH47000 stabilize in the environment for at least 2 minutes before beginning the correction.

	Value	Bytes [Hex]	Description
Command	0x03	-	-
Request bytes	6	[0x11] [0x03] [0x03] [D1] [D2] [CS]	[D1] and [D2]: CO ₂ concentration in ppm
Response bytes	4	[0x16] [0x01] [0x03] [0xE6]	-

Example:

For a CO₂ concentration of 600ppm, the bytes D1 and D2 need to represent this value in hexadecimal form. The value 600 in decimal is 0x258 in hexadecimal. Therefore, D1 would be 0x02 and D2 would be 0x58.

7.1.4.8 Get Serial Number

Returns the serial number of the sensor. The serial number received needs to be converted to ASCII.

	Value	Bytes [Hex]	Description
Command	0x1F	-	-
Request bytes	4	[0x11] [0x01] [0x1F] [0xCF]	-
Response bytes	20	[0x16] [0x11] [0x1F] [D1] ... [D16] [CS]	[D1] to [D16]: Serial number as hexadecimal

Example:

Serial number in hex: 35 31 39 32 34 31 30 44 30 31 31 31 30 38 36 39

Corresponding serial number in ASCII: 5192410D01110869

7.1.4.9 Get Firmware Version Number

Returns the firmware version of the RRH47000. The received firmware version number needs to be converted to ASCII.

	Value	Bytes [Hex]	Description
Command	0x1E	-	-
Request bytes	4	[0x11] [0x01] [0x1E] [0xD0]	-
Response bytes	15	[0x16] [0x0C] [0x1E] [D1] ... [D11] [CS]	[D1] to [D11]: Firmware version number as hexadecimal

Example:

Serial number in hex: 56 35 2E 30 35 5F 36 42 52 30 32

Corresponding serial number in ASCII: V5.05_6BR02

Note: ASCII code 20 represents a blank space.

7.2 I²C Interface

This protocol follows the standard I²C timing sequence, with a clock frequency ranging from 10kHz to 100kHz. Communication utilizes the big-endian format, where the most significant bit is transmitted first. After power-on, the sensor requires a minimum of 3 seconds to initiate communication via I²C.

7.2.1 Typical Application Circuit for I²C Interface

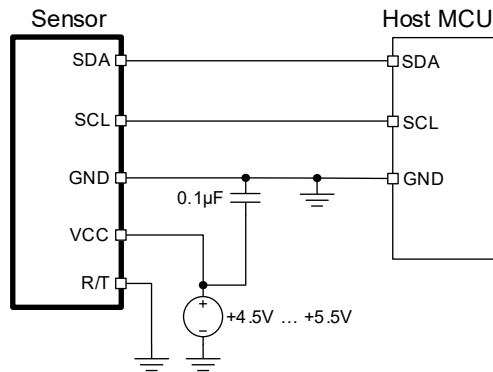


Figure 8. Application Circuit for I²C Communication

7.2.2 I²C Transmission Characteristics

Table 11. I²C Transmission Characteristics

Slave Address	0x31
Clock Frequency	Typical 100kHz
General Call Address	Unsupported
Logic Voltage Level High	> 2.64V (0.8 * 3.3V)
Logic Voltage Level Low	< 0.66V (0.2 * 3.3V)

7.2.3 I²C Features and Timing

Table 12. I²C Timing Parameters

Parameter	Symbol	Minimum	Typical	Maximum	Unit
SCL clock frequency	f_{SCL}	10	-	100	kHz
Hold time START condition	$t_{HD,STA}$	-	0.6	-	μ s
Setup time START condition	$t_{SU,STA}$	-	0.6	-	μ s
Data setup time	$t_{SU,DAT}$	-	250	-	ns
Data hold time	$t_{HD,DAT}$	-	0	-	μ s
Setup time for STOP condition	$t_{SU,STO}$	-	4	-	μ s

Note: SCL clock frequency is generated by the master device with the range 10kHz to 100kHz.

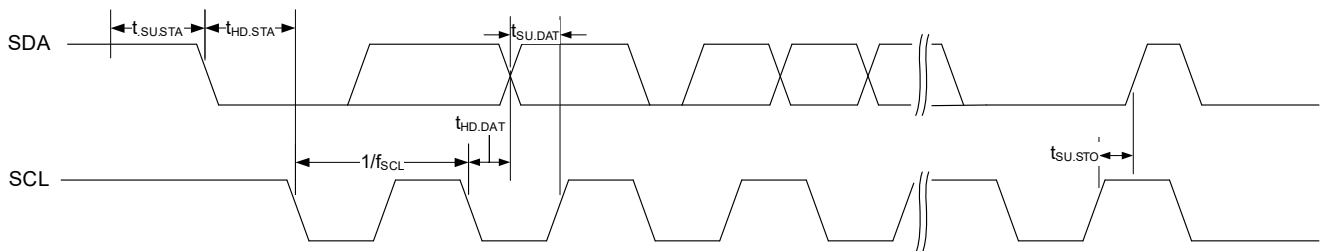


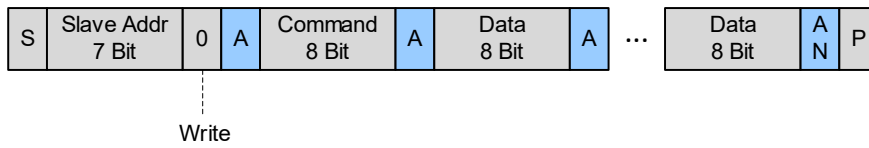
Figure 9. I²C Timing Diagram

If an I/O port is used to simulate an I²C master device, it is suggested to reserve a period before and after ACK signal (such as 100 μ s), after sending every byte (8 bit) to leave enough time for the MCU to process the data. Within requirements of speed, it is recommended to lower the reading speed as much as possible.

Using a delay of 300ms between request and response is recommended. Always verify the checksum to ensure data integrity.

7.2.4 Basic Data Transmission Format I²C

Command Request



Command Response

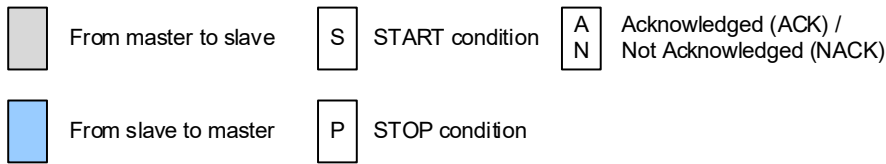
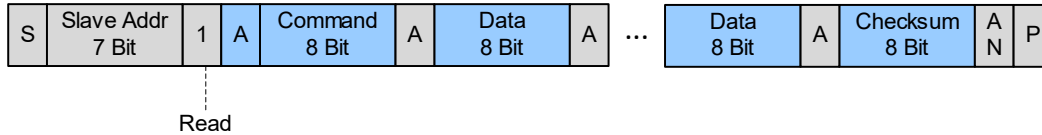


Figure 10. Data Transmission Format I²C Communication

7.2.5 I²C Command Description

7.2.5.1 Overview of I²C Commands

The slave address is 0x31; the data command of the slave device is listed in the following table.

Table 13. Overview of Available I²C Commands

Code	Action	Request bytes	Response Bytes
0x31	Get Measurement Results.	1	10
0x10	Set ABC Parameters.	7	8
0x03	Set CO ₂ Baseline Manually.	3	4
0x1F	Get Serial Number.	1	18
0x1E	Get Firmware Version Number.	1	13

Every response includes a request command as a first byte and the checksum as last byte.

7.2.5.2 Get Measurement Results

Returns the measurement results for CO₂, temperature, and relative humidity. For more information on how to calculate the output values, see section 7.3.

	Value	Bytes [Hex]	Description
Command	0x31	-	-
Request bytes	1	[0x31]	-
Response bytes	10	[0x31] [D1] ... [D8] [CS]	[D1] and [D2]: CO ₂ Results [D3] and [D4]: Reserved [D5] and [D6]: Temperature Results [D7] and [D8]: Humidity Results

7.2.5.3 Set ABC Parameters

This function is used to set the automatic baseline correction (ABC) parameters. The ABC function is crucial for maintaining the accuracy and reliability of the sensor's long-term CO₂ measurements. By periodically recalibrating the sensor to a baseline CO₂ concentration, typically representing fresh outdoor air, the ABC function compensates for sensor drift and ensures consistent performance.

A fast automatic baseline correction (fast ABC) occurs when the sensor undergoes a correction process outside the set correction period (default 24 h/7 days). This correction is typically triggered during periods of exceptionally low CO₂ concentrations that are unrealistic for fresh air (below 400ppm). The fast ABC ensures that the sensor quickly adapts to new baseline CO₂ concentrations, thereby maintaining its accuracy and reliability in dynamic conditions.

The CO₂ baseline value is used to set the lowest expected CO₂ concentrations to what the ABC references. This feature can be utilized to ensure accuracy in environments where fresh air is higher or lower than 400ppm, ensuring accuracy in different environments.

	Value	Bytes [Hex]	Description
Command	0x10	-	-
Request bytes	7	[0x10] [D1] ... [D6]	[D1]: Reserved, default 0x64 [D2]: Enable/disable auto correction (0: enable all (default), 1: enable only ABC, 2: enable only fast ABC, 3: disable all) [D3]: Correction cycle period (1-30 days, default is 7 days) [D4]: High byte CO ₂ baseline value, default 0x01 (400) [D5]: Low byte CO ₂ baseline value , [D6]: Reserved, default 0x64
Response bytes	8	[0x10] [D1] ... [D6] [CS]	[D1]: Reserved, default 0x64 [D2]: Enabled/disabled auto correction (0: enabled all (default), 1: enabled only ABC, 2: enabled only fast ABC, 3: disabled all) [D3]: Correction cycle period (1-30 days optional, default is 7 days) [D4]: High byte CO ₂ baseline value, default 0x01 (400) [D5]: Low byte CO ₂ baseline value , [D6]: Reserved, default 0x64

7.2.5.4 Set CO₂ Baseline Manually

Correct current CO₂ reading to a target concentration. Use the following equation to calculate D1 and D2. The correction range is 400 to 1500 ppm. Convert the decimal values to hexadecimal before writing them to the sensor.

$$CO_2 = [D1] \cdot 256 + [D2]$$

Before correction, make sure that the CO₂ concentration in the current environment is in the correction target range. Let the RRH47000 stabilize in the environment for at least 2 minutes before beginning the correction.

	Value	Bytes [Hex]	Description
Command	0x03	-	-
Request bytes	3	[0x3] [D1] [D2]	[D1] and [D2]: CO ₂ concentration in ppm
Response bytes	4	[0x03] [D1] [D2] [CS]	[D1] and [D2]: CO ₂ concentration in ppm

Example:

For a CO₂ concentration of 600 ppm, the bytes D1 and D2 need to represent this value in hexadecimal form. The value 600 in decimal is 0x258 in hexadecimal. Therefore, D1 would be 0x02 and D2 would be 0x58.

7.2.5.5 Get Serial Number

Returns the serial number of the sensor. The serial number received needs to be converted to ASCII.

Note: Use a 160ms delay between making the request and reading the response.

	Value	Bytes [Hex]	Description
Command	0x1F	-	-
Request bytes	1	[0x1F]	-
Response bytes	18	[0x1F] [D1] to [D16] [CS]	[D1] to [D16]: Serial number in hexadecimal

Example:

Serial number in hex: 35 31 39 32 34 31 30 44 30 31 31 31 30 38 36 39

Corresponding serial number in ASCII: 5192410D01110869

7.2.5.6 Get Firmware Version Number

Returns the firmware version of the RRH47000. The received firmware version number needs to be converted to ASCII.

	Value	Bytes [Hex]	Description
Command	0x1E	-	-
Request bytes	1	[0x1E]	-
Response bytes	13	[0x1E] [D1] [D11] [CS]	[D1] to [D11]: Firmware version number as hexadecimal

Example:

Serial number in hex: 56 35 2E 30 35 5F 36 42 52 30 32

Corresponding serial number in ASCII: V5.05_6BR02

Note: ASCII code 20 represents a blank space.

7.3 Calculating CO₂, Temperature, and Relative Humidity Output

The following table contains all the necessary equations to calculate CO₂ levels, temperature, and relative humidity from the sensor output bytes. To calculate the measurement results of the RRH47000, the hexadecimal values must be transformed into decimal first. Use the decimal values in the equations of [Table 14](#) to calculate the corresponding measurement outputs.

Table 14. Equations to Calculate the Measurement Outputs

	Condition	Equation	Unit
CO ₂	-	$CO_2 = [D1] \cdot 256 + [D2]$	ppm
Temperature	$\{[D5] \cdot 256 + [D6]\} < 32768$	$T = \frac{[D5] \cdot 256 + [D6]}{100}$	°C
	$\{[D5] \cdot 256 + [D6]\} \geq 32768$	$T = \frac{[D5] \cdot 256 + [D6] - 65536}{100}$	
Relative Humidity	-	$RH = \frac{[D7] \cdot 256 + [D8]}{100}$	%RH

The following is an example of how to calculate output for the RRH47000.

Table 15. Calculation Example for Measurement Outputs

	CO ₂		Ignore		Temperature		Rel. Humidity	
Data Byte	1	2	3	4	5	6	7	8
Hexadecimal	0x02	0x29	0x00	0xF7	0x0B	0x72	0x12	0xAD
Decimal	2	41	Ignore		11	114	18	173
Equation ^[1]	$02 \cdot 256 + 41$				$\frac{11 \cdot 256 + 114}{100}$		$\frac{18 \cdot 256 + 173}{100}$	
Result	553ppm				29.3°C		47.81%RH	

1. The equations can be found in [Table 14](#).

7.4 Checksum Calculation

To calculate the checksum, use the following equation:

$$CS = 256 - \sum Bytes \% 256$$

Table 16 provides an example of a checksum calculation. The bytes and hexadecimal values have been taken from Table 9.

Table 16. Example Checksum Calculation for UART

Byte	1	2	3	4	5	6	7	8	9
Byte Description	Start	Length	Command	Data	Data	Data	Data	Data	Data
Hexadecimal Value	0x11	0x07	0x10	0x64	0x00	0x07	0x01	0x90	0x64
Decimal Value	17	7	16	100	0	7	1	144	100
Equation	$CS = 256 - (17 + 7 + 16 + 100 + 0 + 7 + 1 + 144 + 100)\%256$								
Result	$CS = 256 - 392\%256 = 256 - 136 = 120 = \mathbf{0x78}$								

Table 17. Example Checksum Calculation for I²C

Byte	1	2	3	4	5	6	7	8	9
Byte Description	Command	Data	Data	Data	Data	Data	Data	Data	Data
Hexadecimal Value	0x31	0x02	0x29	0x00	0xF7	0x0B	0x72	0x12	0xAD
Decimal Value	49	2	41	0	247	11	114	18	173
Equation	$CS = 256 - (49 + 2 + 41 + 0 + 247 + 11 + 114 + 18 + 173)\%256$								
Result	$CS = 256 - 655\%256 = 256 - 143 = 113 = \mathbf{0x71}$								

8. Storage and Handling

Recommendation: Once the sensors are removed from their original packaging, store them in metal-in antistatic bags.

Avoid using polyethylene antistatic bags as they may affect the RHT sensors accuracy.

The nominal storage conditions are 10°C to 50°C and humidity levels within 20% to 60%RH. If stored outside of these conditions for extended periods of time, the RHT sensor readings may exhibit an offset. The RHT sensor can be reconditioned and returned to its calibration state by applying the following recondition procedure:

1. Bake at a temperature of 85°C with a humidity < 10% RH for 24 hours.
2. Rehydrate the sensor at a humidity of 75% RH and a temperature between 20°C to 30°C for 12 to 14 hours.

9. Marking Diagram



Figure 11. Sticker Label RRH47000

Code Component	Description	Example
Product Code (Char 1 – 3)	Code representing the product	'519'
Date Code (Char 4 – 7)	Production date in the format YYWW\$ (where \$ = location code)	'2410'
Location Code (Char 8)	Code indicating the site of production	'D'
Lot# in Production Week (Char 9 – 10)	Number indicating the lot produced within the production week (ranges from 01 to 99)	'01'
Internal Traceability Number (Char 11 – 16)	Internal tracking number for traceability	'110869'

10. Quality and Reliability

The RRH47000 series is available as a qualified product for consumer and industrial market applications. All data specified parameters are guaranteed if not stated otherwise.

11. Package Outline Drawings

The package outline drawings are located at the end of this document and are accessible from the [Renesas website](#). The package information is the most current data available and is subject to change without revision of this document.

12. Ordering Information

Part Number	Package Description	Description	MOQ (pcs)
RRH47000-A1V	40.8 × 19.7 × 9.1 mm MN0009AA Module	NDIR CO ₂ sensor module with RHT sensor	540
RRH47000-EVK	RRH47000 Evaluation Kit including the RRH47000 Sensor Board, ECom Communication Board (USB Interface), and Micro-USB Cable. (The Environmental Sensors Evaluation Software is available for download free of charge on the RRH47000-EVK product page.)		
RRH47000-EVK-DB	RRH47000 Sensor Board as spare part for RRH47000 Evaluation Kit.		

13. Revision History

Revision	Date	Description
1.00	Nov 11, 2024	Initial release.

