

RL78 FAMILY PART NUMBER GUIDE

September 2025 Rev. 1.2

EMBEDDED PROCESSING PRODUCT GROUP
RENESAS ELECTRONICS CORPORATION

RL78:EXPLANATION OF ORDERABLE PART NUMBERS

(For part numbers start with R5F1)

R5 F 1 00 6 E C A SP #Vx

Renesas MCU ROM Type F: Flash RL78 Family

Product group

00	G13 with DF	0K	G1C USB Peri	1C	I1E
01	G13 no DF	0M	I1B	1E	G1G
02	G12 with DF	0N	I1C with AES	1F	G1H
03	G12 no DF	0P	F14	1M	L1A
04	G14	0R	L12	1N	H1D with AFE
05	G11	0T	D1A with CAN	1P	H1D with AFE
07	I1A		100pinQFP/256KB	1R	H1D no AFE
09	F12	0W	L13	1T	I1C no AES
0A	F13 no CAN	0Y	G10	1W	G1M
0B	F13 with CAN	10	L1C with USB	1Y	G1N
0C	D1A no CAN	11	L1C no USB	1Z	G1P
0D	D1A with CAN	13	F15	20	G15
0E	G1A	17	I1D	21	G16
0F	G1E	1A	G1D	40	G13A
0J	G1C USBHost	1B	G1F		

Pin count

0	8	E	40
1	10	F	44
4	16	G	48
6	20	J	52
7	24	L	64
8	25	M	80
9	28	N	85
A	30	P	100
B	32	S	128
C	36	T	144
D	38		

ROM Size (KB)

4	1	D	48
6	2	E	64
7	4	F	96
8	8	G	128
9	12	H	192
A	16	J	256
B	24	K	384
C	32	L	512

Temperature & Quality Grade

A	-40°C to 85°C	Consumer
D	-40°C to 85°C	Industrial
G	-40°C to 105°C	Industrial
M	-40°C to 125°C	Industrial
J	-40°C to 85°C	Automotive
L	-40°C to 105°C	Automotive
K	-40°C to 125°C	Automotive
Y	-40°C to 150°C	Automotive

Bonding wire (Only part of RL78/F1x)*2

C	Cu (Copper)
---	-------------

Package, Material (Pb-free)

#0	Full Carton (HWQFN,HVQFN,WFLGA)
#1	Full Carton (SSOP,LSSOP,LQFP,LFQFP,TSSOP,WDFN)
#U, #2	Tray (HWQFN,HVQFN,VFBGA,VFLGA,WFLGA,FLGA,TFBGA)
#V, #3	Tray, Tube*1 (SSOP,LSSOP,LQFP,LFQFP,TSSOP,WDFN)
#W, #4	Embossed Tape (SSOP(Only for F13,F14,F15)) (HWQFN,HVQFN,VFBGA,VFLGA,WFLGA,FLGA,TFBGA)
#X, #5	Embossed Tape (SSOP,LSSOP,LQFP,LFQFP,TSSOP,WDFN)
#6	Full Tray (HWQFN,HVQFN,VFBGA,WFLGA)
#7	Full Tray (LFQFP,LQFP,SSOP,TSSOP,LSSOP,WDFN)
#H, #G	Full Carton (SSOP,QFP,QFN) (Only for RL78/F1x,D1A)

Package, Pin Pitch

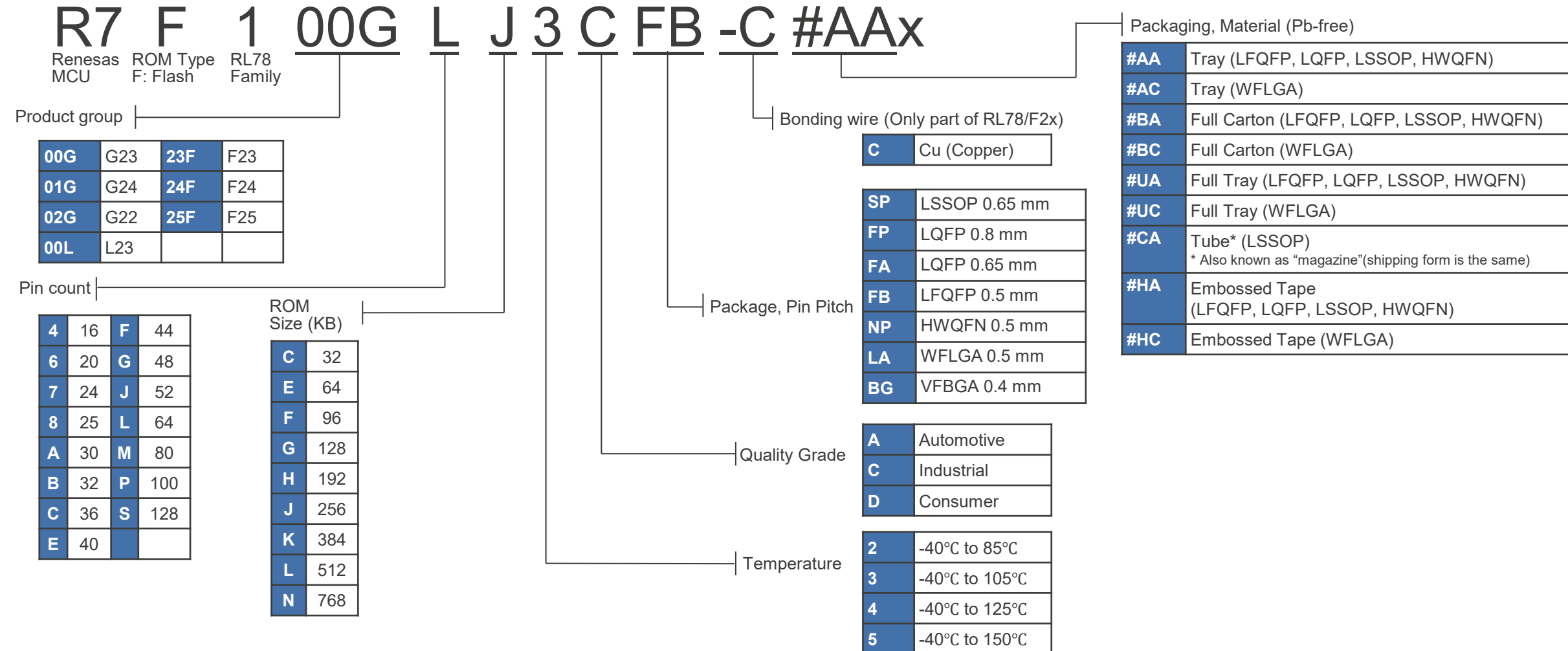
SP	SSOP 0.65 mm	NS	WDFN 0.65mm
	LSSOP 0.65 mm		LA
SM	TSSOP 0.65 mm		VFLGA 0.65 mm
SN	SOP 1.27 mm	BG	VFBGA 0.4 mm
			TFBGA 0.5mm
NA	HWQFN 0.5 mm	FA	LQFP 0.65 mm
	HVQFN 0.5 mm		FB
NB	HWQFN 0.65 mm	FP	LQFP 0.8 mm
	HWQFN 0.4 mm		

*1: For 20-pin RL78/G11, RL78/G12, RL78/G15, RL78/G16 RL78/I1A and RL78/I1D LSSOP products only the package specification is tube.

*2: Please contact Renesas sales or agent for details.

RL78:EXPLANATION OF ORDERABLE PART NUMBERS

(For part numbers start with R7F1)



[Renesas.com](https://www.renesas.com)