

VersaClock® 6E 5P49V60, 5P49V5965 and 5P49V6975 Evaluation Board

This evaluation board is designed to help the customer evaluate the 5P49V60, 5P49V6965 and 5P49V6975 devices. When the board is connected to a PC running [Renesas IC Toolbox \(RICBox\)](#)™ Software through USB, the device can be configured and programmed to generate frequencies with best-in-class performance. The 5P49V6975 has an integrated crystal. The 5P49V60 and 5P49V6965 uses an external crystal. The devices are pin compatible and can use the same board.

Contents

1. Board Overview	2
2. Board Power Supply.....	4
3. Connecting the Board to a Computer.....	5
4. U1 Switch Operation.....	6
5. Operating Modes	6
6. On-Board Crystal.....	7
7. Configuration and Setup.....	8
8. Board Schematics	10
9. Signal Termination Options.....	13
10. Ordering Information.....	15
11. Revision History	15

Figures

Figure 1. 5P49V6965 Evaluation Board	2
Figure 2. VDDO_1 Voltage Selector.....	4
Figure 3. VDDA/D Power Source Selector	4
Figure 4. Configure I ² C Operation	5
Figure 5. JP24 Configuration Header	6
Figure 6. Crystal Circuit.....	7
Figure 7. RICBox Start Page.....	8
Figure 8. Select Product Family and Variant	8
Figure 9. VersaClock 6e RICBox GUI	9
Figure 10. Connect and Program VC6e	9
Figure 11. Evaluation Board Schematics – Page 1	10
Figure 12. Evaluation Board Schematics – Page 2	11
Figure 13. Evaluation Board Schematics – Page 3	11
Figure 14. Evaluation Board Schematics – Page 4	12
Figure 15. Output Termination Options	13

1. Board Overview

Use [Figure 1](#) and [Table 1](#) to identify power supply jacks, USB connector, and the input and output clock SMA connectors.

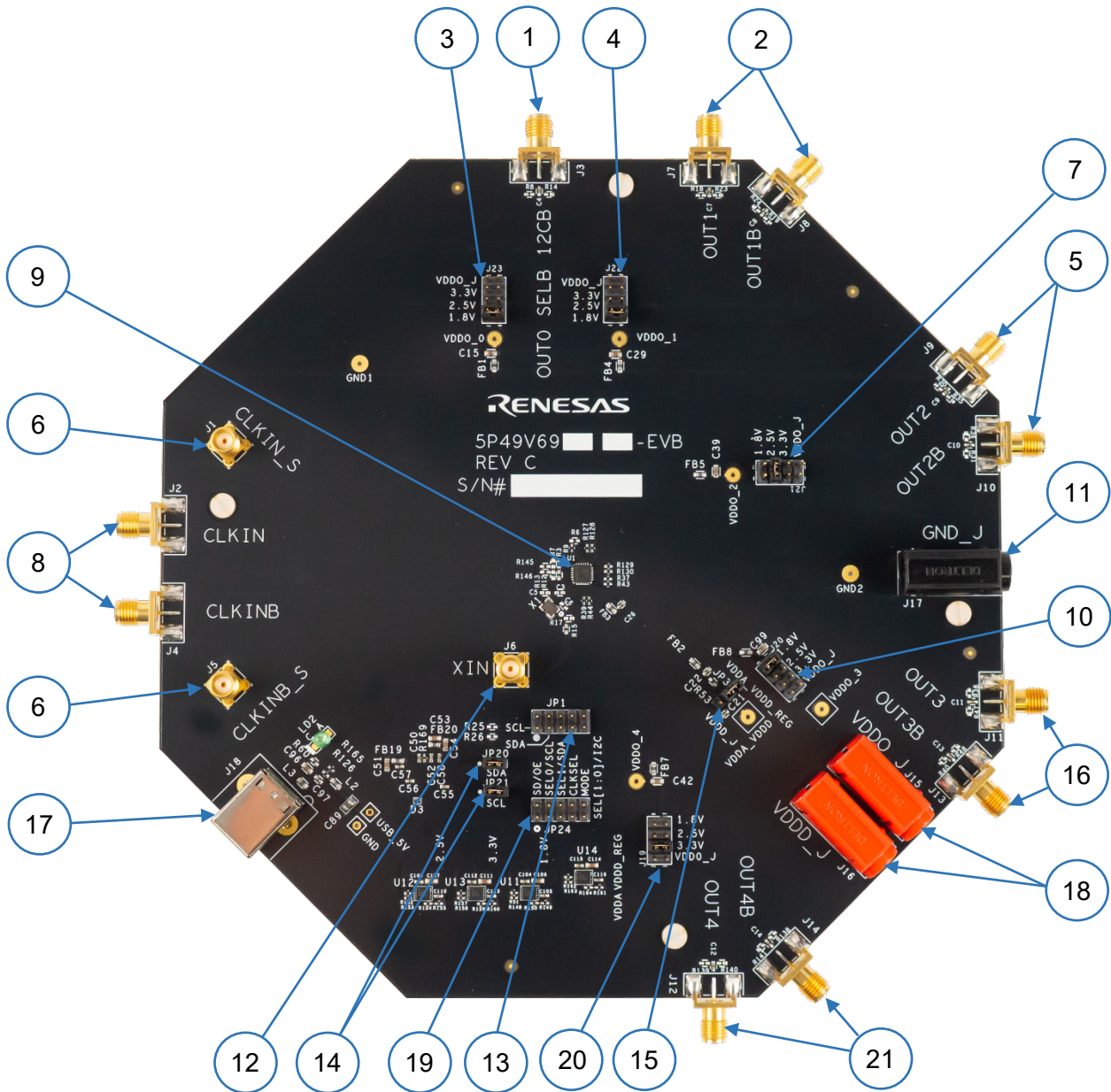


Figure 1. 5P49V6965 Evaluation Board

Table 1. Evaluation Board Pins and Functions

Label Number	Name	On-Board Connector Label	Function
1	Output 0	J3	Single-ended LVCMOS clock output
2	Output 1	J7, J8	Differential clock output
3	VDDO_0	J23	Power supply voltage selector for output 0
4	VDDO_1	J22	Power supply voltage selector for output 1
5	Output 2	J9, J10	Differential clock output
6	CLKIN Sense	J1, J5	Differential input clock, sense output
7	VDDO_2	J21	Power supply voltage selector for output 2
8	CLKIN Input	J2, J4	Differential clock input
9	5P49V6965	U1	Evaluation device
10	VDDO_3	J20	Power supply voltage selector for output 3
11	Ground Jack	J17	Ground jack for external power supply
12	XIN	J6	Input for overdriving XIN pin
13	Aardvark Connector	JP1	For Aardvark connection
14	I ² C Control Jumpers	JP20, JP21	Two jumpers to disconnect I ² C from the FTDI USB-to-I2C interface, to allow SEL0/1 (hardware configuration select) switching
15	VDDA/D	JP3	Power supply selector for VDDA and VDDD
16	Output 3	J11, J13	Differential clock output
17	USB Interface	J18	Used for connection with a PC and for interaction with the RICBox
18	VDD Jacks	J15, J16	VDD jacks for external power supply
19	Config Header	JP24	SD/OE SEL0/SCL SEL1/SDA CLKSEL MODE
20	VDDO_4	J19	Power supply voltage selector for output 4
21	Output 4	J12, J14	Differential clock output

2. Board Power Supply

The voltage for each of the four VDDO pins can be selected with jumpers. Select one of the on-board LDO supplies or the supply jack J15. A jumper connects the VDDO pin to a power source of choice.

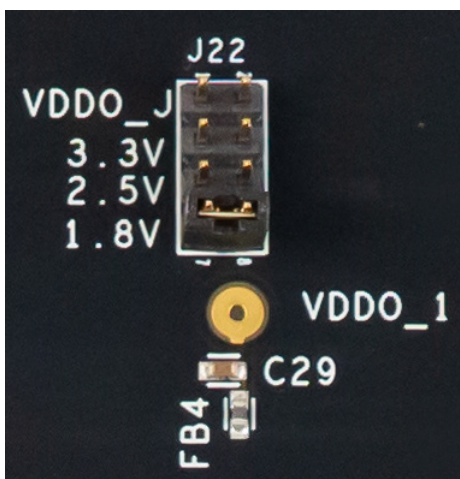


Figure 2. VDDO_1 Voltage Selector

In [Figure 2](#), the voltage for VDDO_1 is chosen to be 1.8V. The 3.3V, 2.5V and 1.8V are from on board regulators that get their power from the USB connector. The VDD Jacks are for connecting to a bench power supply, useful for supply current measurement.

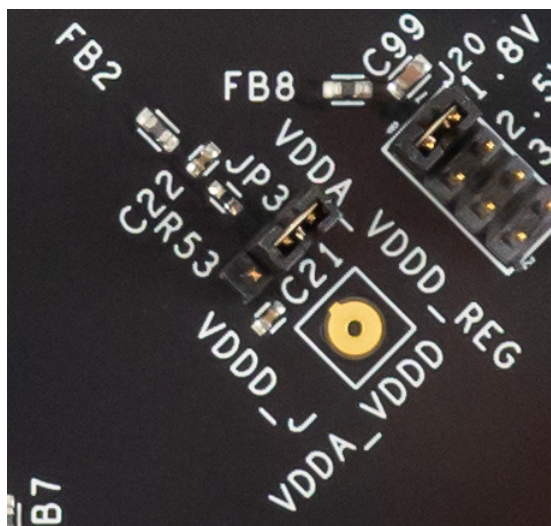


Figure 3. VDDA/D Power Source Selector

JP3 selects the power source for the VDDA and VDDD pins between an on-board 3.3V regulator and the VDDD_J Jack for a bench power supply. In [Figure 3](#), the source for VDDA and VDDD is chosen to be the on-board 3.3V regulator.

3. Connecting the Board to a Computer

The evaluation board can be connected to a computer with the USB connector. The on-board USB-to-I2C bridge (FTDI chip) does the data communication and the +5V in the USB bus powers the on-board regulators. Using a bench power supply with the VDD jacks is optional. The board can fully function with just the USB cable to a computer.

The RICBox software can control the 5P49V60/6965/6975 device on the board. RICBox is compatible with both the on-board USB-to-I2C bridge and the Aardvark adapter. RICBox displays a block diagram where you can enter the configuration. Next, you can program that configuration into the 5P49V6965 on the board where RICBox defines the proper hex-code sequence to program into the device.

The jumpers JP20 and JP21 configure the I²C configuration.

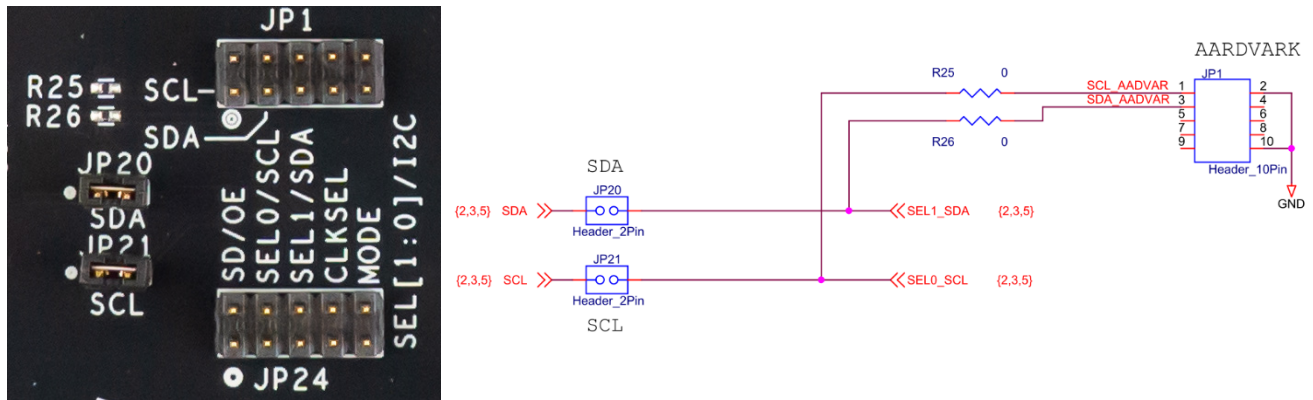


Figure 4. Configure I²C Operation

Labels “SDA” and “SCL” connect to the USB-to-I2C bridge chip. When using an Aardvark or when operating the SEL0/1 switches, jumpers JP20 and JP21 need to be removed to disconnect the USB-to-I2C bridge. Labels “SEL1_SDA” and “SEL0_SCL” are the SEL1/SDA and SEL0/SCL pins on the 5P49V60/6965/6975 device.

Table 2. Configure I²C Operation

	JP20	JP21
Use on-board USB-to-I2C bridge.	Yes	Yes
Use Aardvark or other adapter connected to JP1. The adapter has its own pull-ups enabled.	No	No
Use Aardvark or other adapter connected to JP1. The adapter does not have pull-ups or has them disabled. Add jumpers to JP24 to enable on-board pull-ups for SEL0_SCL and SEL1_SDA.	No	No
Operate the SEL0 and SEL1 switches.	No	No

4. U1 Switch Operation

Figure 5 shows the JP24 configuration header and schematic.

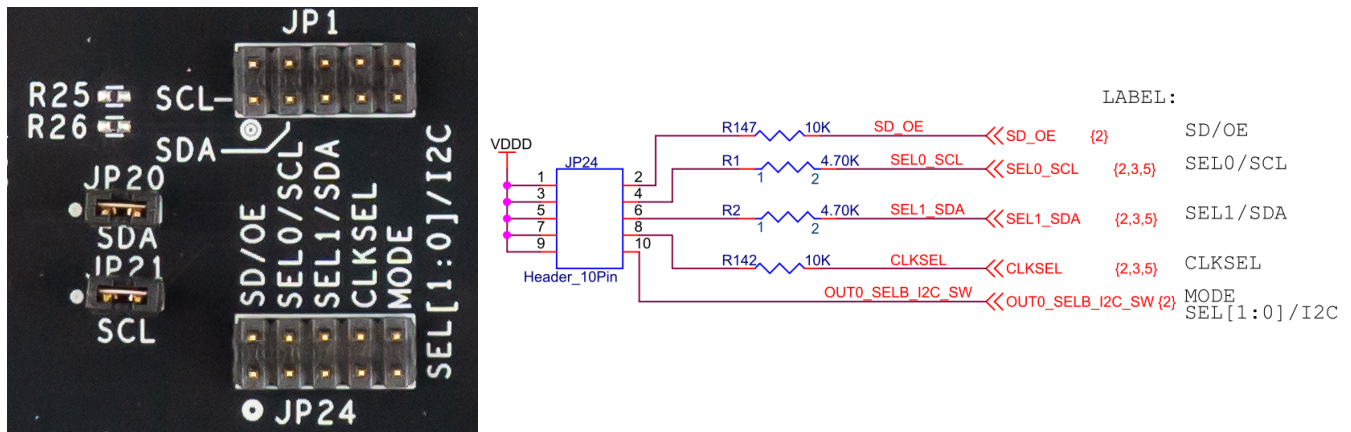


Figure 5. JP24 Configuration Header

The jumpers connect to pins on the 5P49V60/6965/6975 device.

- **OE:** Connects to the SD/OE pin for output enable or shut-down operation.
- **SEL0:** Connects to the SEL0/SCL pin. The main purpose of this switch is to operate SEL0 when the device has started in hardware select mode. This switch can also be used to add an extra pull-up (4.7kΩ) on the SCL line for I²C operation.
- **SEL1:** Connects to the SEL1/SDA pin. The main purpose of this switch is to operate SEL1 when the device has started in hardware select mode. This switch can also be used to add an extra pull-up (4.7kΩ) on the SDA line for I²C operation.
- **CLKSEL:** Connects to the CLKSEL pin for selecting between crystal input or CLKIN differential clock input.
- **Mode:** Pulls on the OUT0_SEL_I2CB pin on the device to select the operation mode at power-up. The state of the OUT0_SEL_I2CB pin is latched at power up. The operation mode effectively sets the function of the SEL0/SCL and SEL1/SDA pins. In Hardware Select (OUT0_SEL_I2CB pulled high) mode the two pins have the SEL0 and SEL1 function for selecting a preprogrammed configuration.

5. Operating Modes

The 5P49V60/6965/6975 can start-up in two different operating modes: **I²C** mode or **Hardware Select** mode. The evaluation board is shipped with a “blank” 5P49V60/6965/6975 device and without configurations preprogrammed into OTP. Without configurations pre-programmed, the Hardware Select mode cannot be used. The blank device will start with a default or “test” configuration where output 0 and output 1 are enabled. Output 0 will be 25MHz and output 1 will be 100MHz with LVCMOSD logic. You can program a configuration into the device and into volatile registers with RICBox to test a configuration. This works without “burning” the permanent OTP memory and most users of this evaluation board will never burn OTP. In this way, the board can be used repeatedly to test configurations. Burning configurations into OTP is only useful when studying the Hardware Select mode and the transition from one configuration to another.

Important: Burning configurations into OTP is permanent and cannot be undone.

6. On-Board Crystal

The 5P49V60 and 5P49V6965 evaluation board comes installed with a 25MHz crystal. If the evaluation board is assembled with a 5P49V6975, no crystal is assembled because the crystal is integrated in the device. The crystal pins on the 5P49V6975 are NC (not connected).

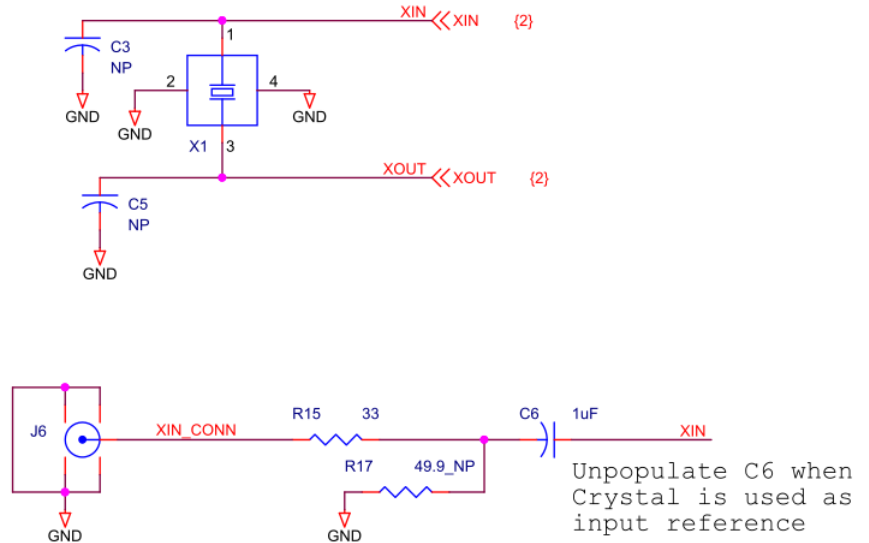
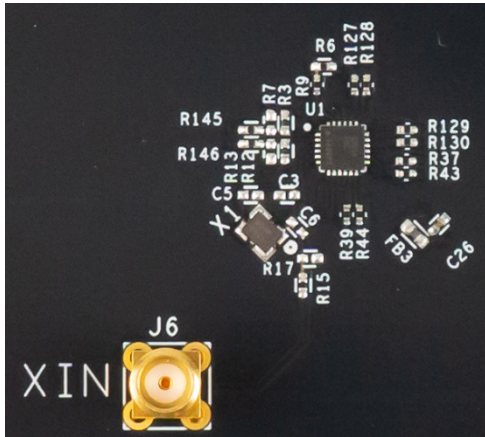


Figure 6. Crystal Circuit

The board is shipped with a small 25MHz SMD crystal installed. The crystal can be replaced with a different frequency if needed.

Note: Output 1 with the default or “test” mode will only work when using a 25MHz crystal.

Another useful modification can be to remove the 25MHz crystal and assemble C6 to connect the SMA connector J6. Now a clock from a generator or other source can be used to drive the XIN pin. Also assemble R17 when termination of the external clock is needed. For XIN amplitude requirements, refer to the device datasheet. The amplitude on XIN should not exceed 1.2Vpp and Renesas recommends using 1.0Vpp for most tests. When doing phase noise measurements of the output clocks, use an extremely low noise clock for XIN. The best phase noise at the outputs is achieved when using a crystal. Only the best of low noise RF signal generators connected to XIN can result in the same phase noise performance.

7. Configuration and Setup

Use the following steps to setup the board using I²C and to start the configuration of the board.

1. Ensure no jumper on JP24 MODE; select I²C mode. Add jumpers for SEL0_SCL and SEL1_SDA on JP24 for I²C pull-ups.
2. Connect J18 to a USB port of the PC using the supplied I²C cable.
3. Launch RicBox as described in the [RicBox IC Toolbox User Guide](#)
 - a. The software and guide are downloadable from the product page
4. Download **R_VersaClock6e** plugin by following same steps as mentioned in RicBox IC Toolbox User Guide.
5. For a new configuration, click on *Create new project*.

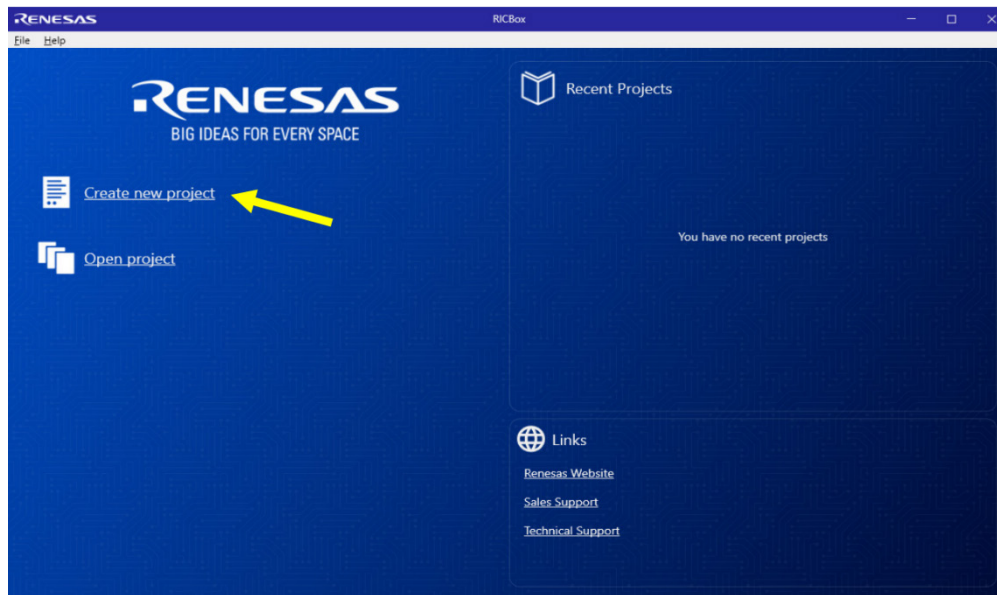


Figure 7. RICBox Start Page

6. Select the VersaClock product family, then select a product variant (part number) and click OK.

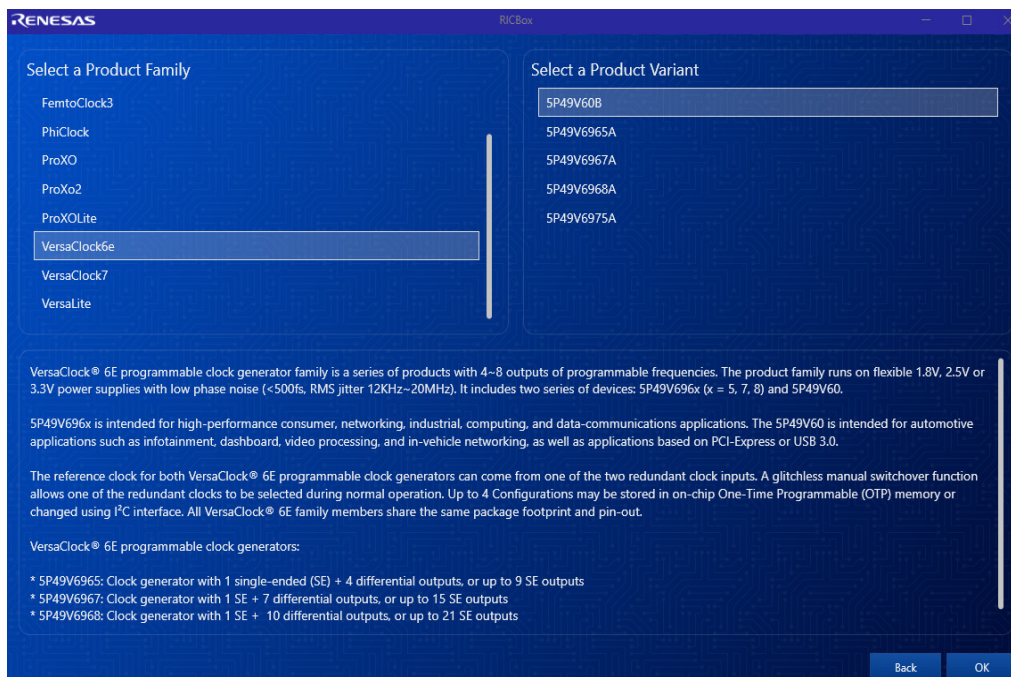


Figure 8. Select Product Family and Variant

- To configure the device, select *Diagram* in the panel on the left side of the RicBox GUI window. Enter Reference Clock and Output frequency and click on the *Not Connected* button in the lower-right corner of the window.

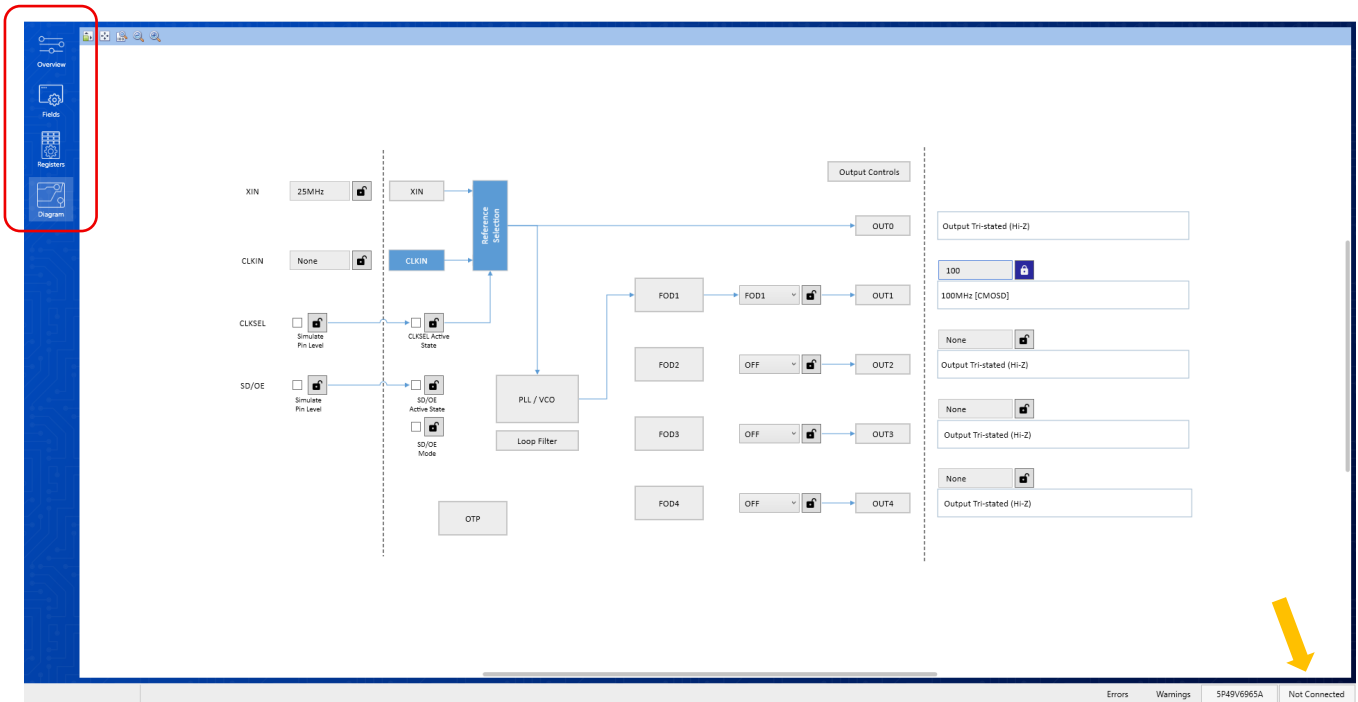


Figure 9. VersaClock 6e RICBox GUI

- Click on *Connect*. The “Not Connected” button will turn green and change to “Connected”. Click on the “Connected” button again, then click on to *Program* to start programming the part.

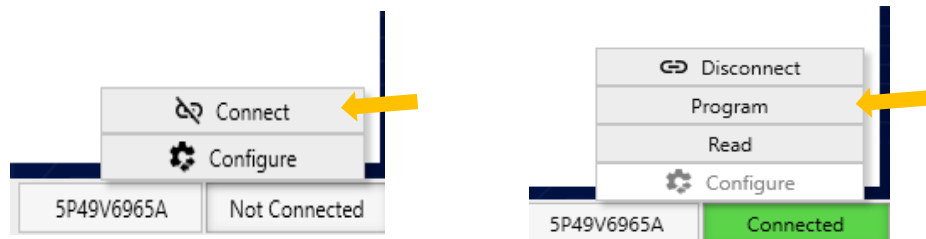


Figure 10. Connect and Program VC6e

8. Board Schematics

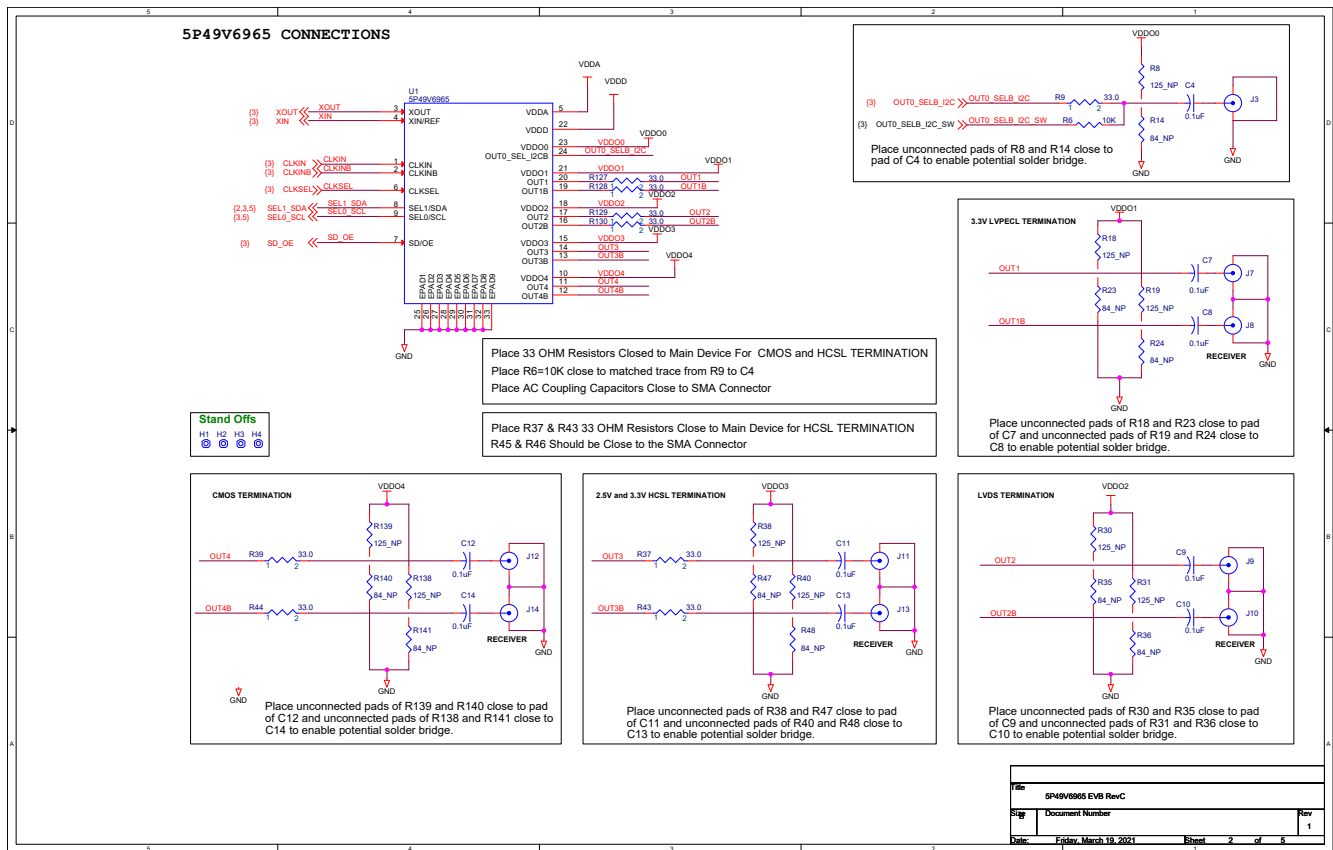


Figure 11. Evaluation Board Schematics – Page 1

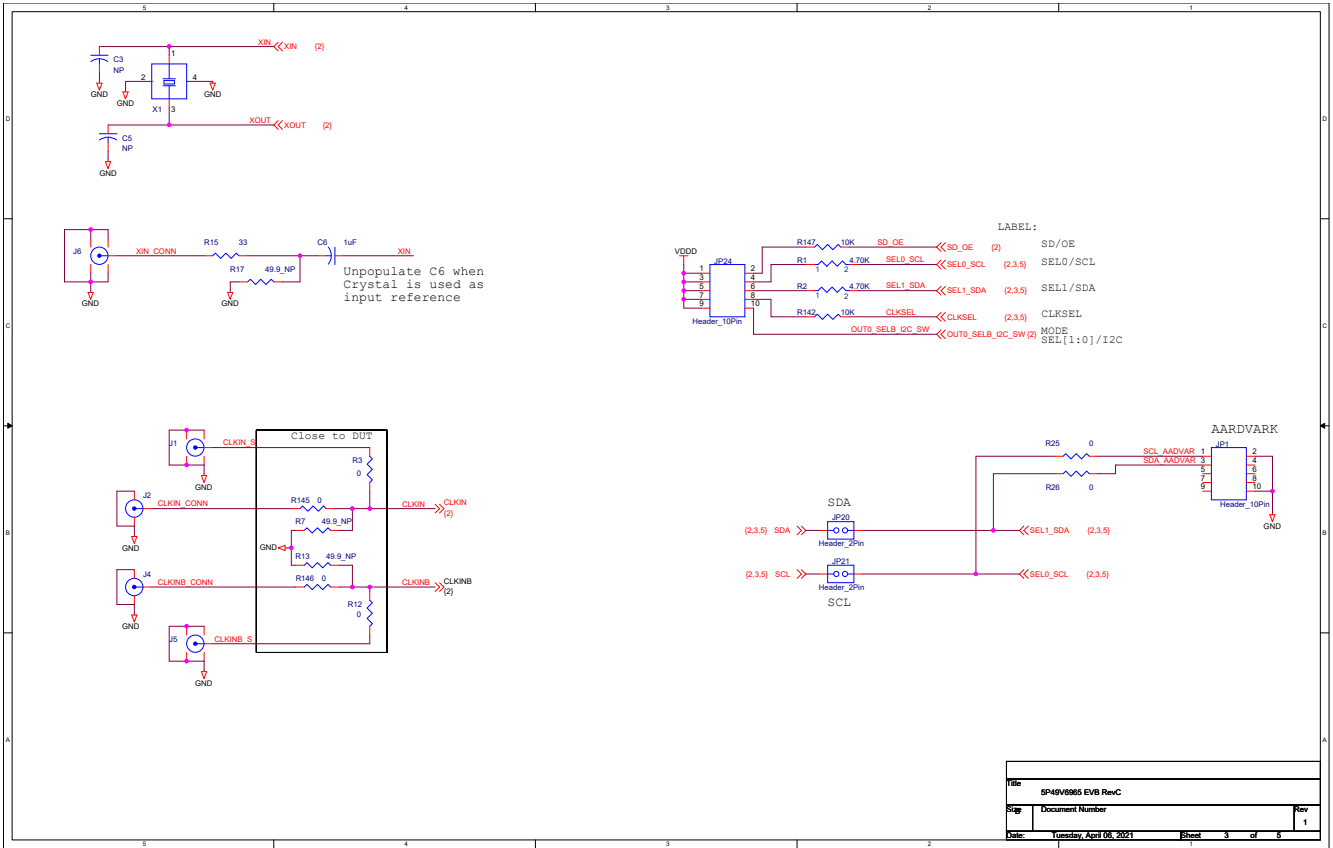


Figure 12. Evaluation Board Schematics – Page 2

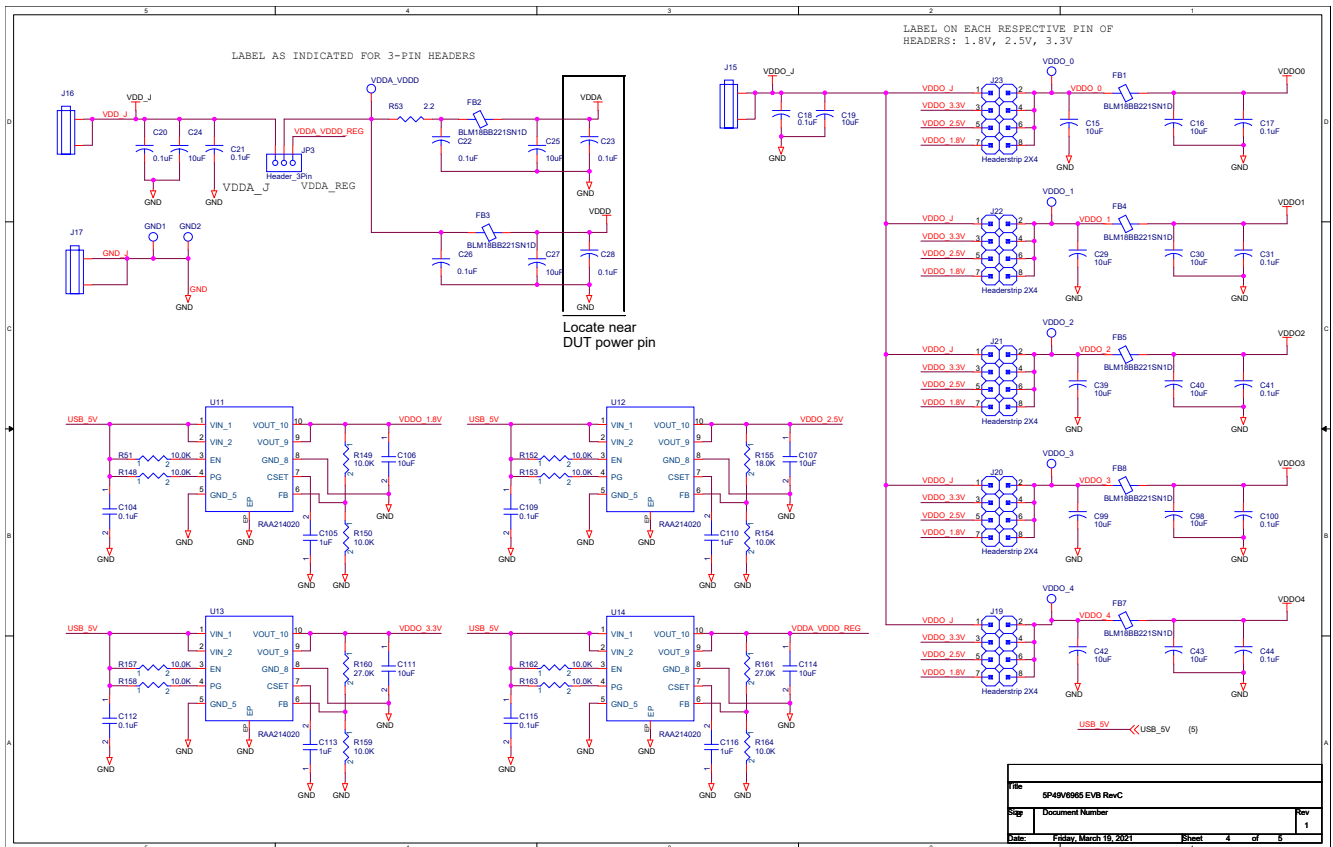


Figure 13. Evaluation Board Schematics – Page 3

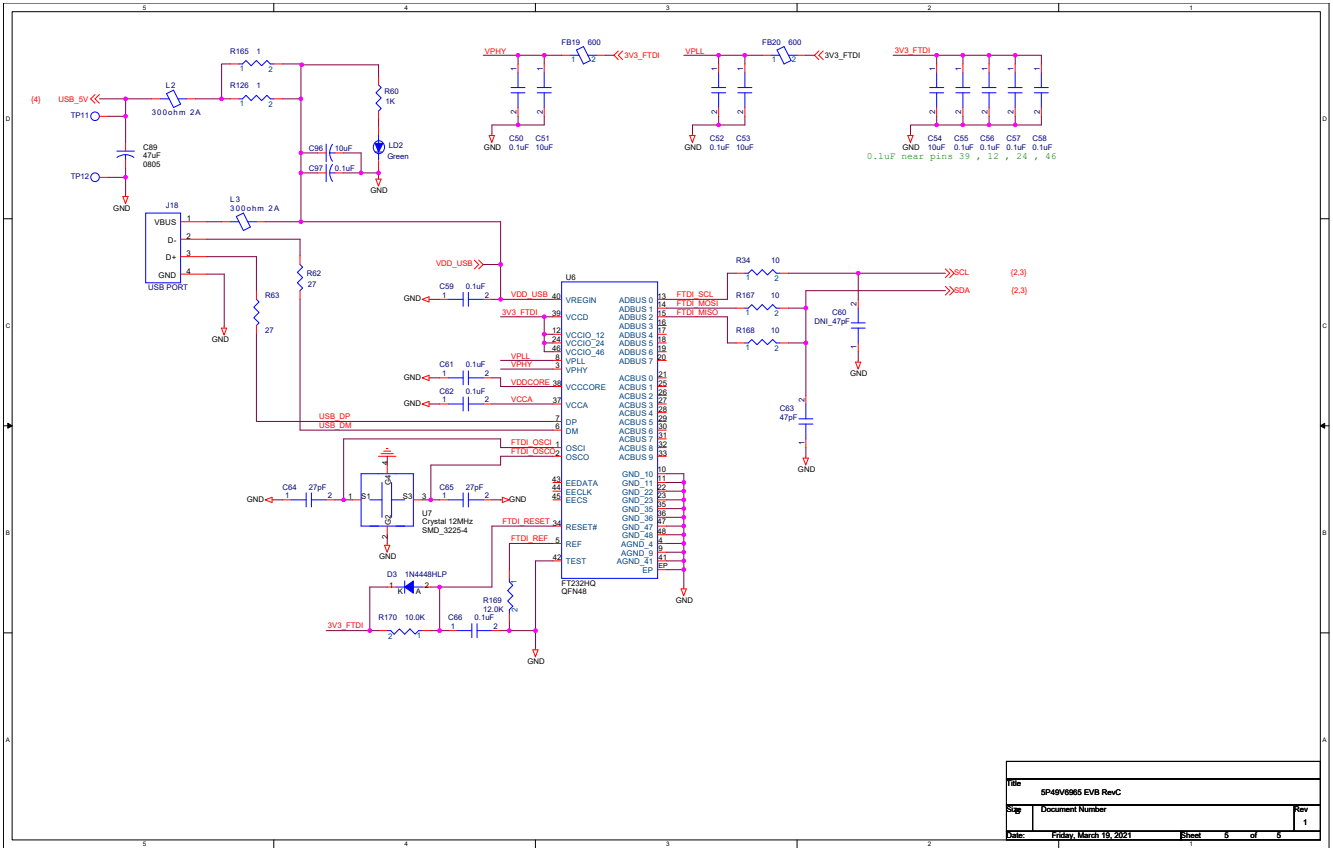


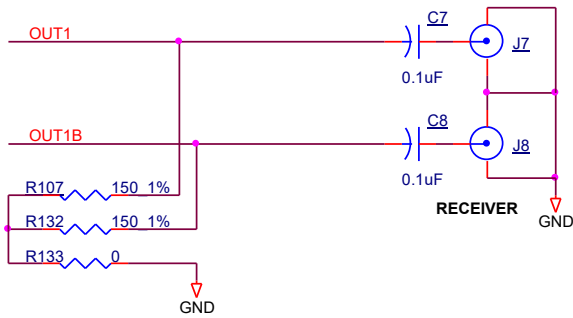
Figure 14. Evaluation Board Schematics – Page 4

9. Signal Termination Options

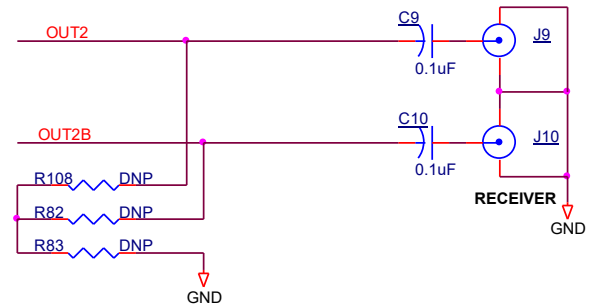
Termination options for OUT1–4 for the evaluation board are displayed in Figure 15. The termination circuits are designed to optionally terminate the output clocks in LVPECL, LVDS, LVCMOS and HCSL signal types by populating (or not-populating) some resistors. DC or AC coupling of these outputs is also supported.

Table 3 through Table 6 tabulate component installations to support LVPECL, HCSL, LVCMOS and LVDS signal types for OUT1–4 on the device’s EVB. Note that by doing so, the output signals will be measured and terminated by test equipment with a 50Ω internal termination.

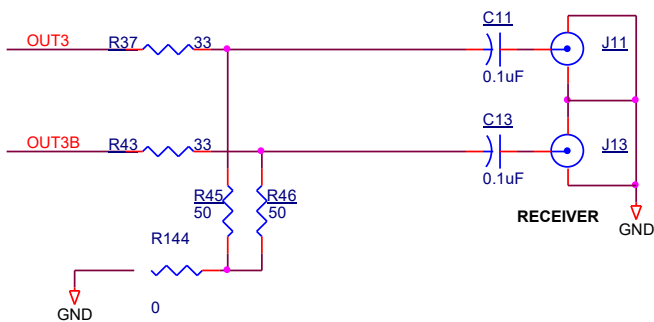
3.3V LVPECL TERMINATION



LVDS TERMINATION



2.5V and 3.3V HCSL TERMINATION



CMOS TERMINATION

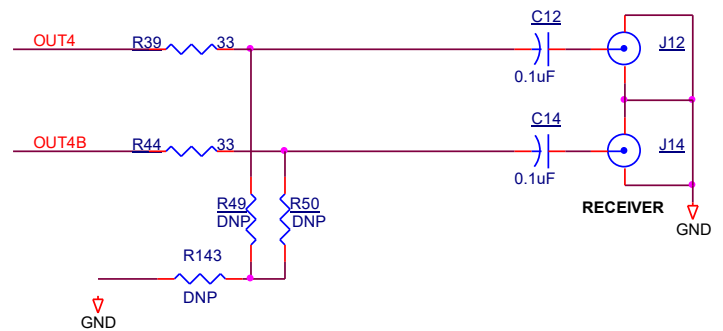


Figure 15. Output Termination Options

Table 3. Termination Options for OUT1

Signal Type	Series Resistors: R127, R128	150Ω Pull-down: R107, R132, R133	Series Capacitor: C7, C8
LVPECL	0Ω	Installed (see Figure 15)	0.1μF
HCSL	33Ω	Not installed	0Ω (short)
LVC MOS	33Ω	Not installed	0.1μF
LVDS	0Ω	Not installed	0.1μF

Table 4. Termination Options for OUT2

Signal Type	Series Resistors: R129, R130	150Ω Pull-down: R108, R82, R83	Series Capacitor: C9, C10
LVPECL	0Ω	Installed (see Figure 15)	0.1μF
HCSL	33Ω	Not installed	0Ω (short)
LVC MOS	33Ω	Not installed	0.1μF
LVDS	0Ω	Not installed	0.1μF

Table 5. Termination Options for OUT3

Signal Type	Series Resistors: R37, R43	150Ω Pull-down: R45, R46, R144	Series Capacitor: C11, C13
LVPECL	0Ω	Installed (see Figure 15)	0.1μF
HCSL	33Ω	Not installed	0Ω (short)
LVC MOS	33Ω	Not installed	0.1μF
LVDS	0Ω	Not installed	0.1μF

Table 6. Termination Options for OUT4

Signal Type	Series Resistors: R39, R44	150Ω Pull-down: R49, R50, R143	Series Capacitor: C12, C14
LVPECL	0Ω	Installed (see Figure 15)	0.1μF
HCSL	33Ω	Not installed	0Ω (short)
LVC MOS	33Ω	Not installed	0.1μF
LVDS	0Ω	Not installed	0.1μF

10. Ordering Information

Part Number	Description
5P49V60-EVK	5P49V60 Evaluation Board
5P49V6965-EVK	5P49V6965 Evaluation Board
5P49V6975-EVK	5P49V6975 Evaluation Board

11. Revision History

Revision	Date	Description
2.00	Sept 29, 2025	Updated the Configuration and Setup section.
1.02	Dec 18, 2023	<ul style="list-style-type: none">▪ Updated board images and schematics.▪ Updated to the latest document template.
-	Feb 12, 2018	Added references to 5P49V60.
-	Dec 15, 2017	Initial release.

IMPORTANT NOTICE AND DISCLAIMER

RENESAS ELECTRONICS CORPORATION AND ITS SUBSIDIARIES (“RENESAS”) PROVIDES TECHNICAL SPECIFICATIONS AND RELIABILITY DATA (INCLUDING DATASHEETS), DESIGN RESOURCES (INCLUDING REFERENCE DESIGNS), APPLICATION OR OTHER DESIGN ADVICE, WEB TOOLS, SAFETY INFORMATION, AND OTHER RESOURCES “AS IS” AND WITH ALL FAULTS, AND DISCLAIMS ALL WARRANTIES, EXPRESS OR IMPLIED, INCLUDING, WITHOUT LIMITATION, ANY IMPLIED WARRANTIES OF MERCHANTABILITY, FITNESS FOR A PARTICULAR PURPOSE, OR NON-INFRINGEMENT OF THIRD-PARTY INTELLECTUAL PROPERTY RIGHTS.

These resources are intended for developers who are designing with Renesas products. You are solely responsible for (1) selecting the appropriate products for your application, (2) designing, validating, and testing your application, and (3) ensuring your application meets applicable standards, and any other safety, security, or other requirements. These resources are subject to change without notice. Renesas grants you permission to use these resources only to develop an application that uses Renesas products. Other reproduction or use of these resources is strictly prohibited. No license is granted to any other Renesas intellectual property or to any third-party intellectual property. Renesas disclaims responsibility for, and you will fully indemnify Renesas and its representatives against, any claims, damages, costs, losses, or liabilities arising from your use of these resources. Renesas' products are provided only subject to Renesas' Terms and Conditions of Sale or other applicable terms agreed to in writing. No use of any Renesas resources expands or otherwise alters any applicable warranties or warranty disclaimers for these products.

(Disclaimer Rev.1.01)

Corporate Headquarters

TOYOSU FORESIA, 3-2-24 Toyosu,
Koto-ku, Tokyo 135-0061, Japan
www.renesas.com

Trademarks

Renesas and the Renesas logo are trademarks of Renesas Electronics Corporation. All trademarks and registered trademarks are the property of their respective owners.

Contact Information

For further information on a product, technology, the most up-to-date version of a document, or your nearest sales office, please visit www.renesas.com/contact-us/.