

致尊敬的顾客

关于产品目录等资料中的旧公司名称

NEC电子公司与株式会社瑞萨科技于2010年4月1日进行业务整合（合并），整合后的新公司暨“瑞萨电子公司”继承两家公司的所有业务。因此，本资料中虽还保留有旧公司名称等标识，但是并不妨碍本资料的有效性，敬请谅解。

瑞萨电子公司网址：<http://www.renesas.com>

2010年4月1日
瑞萨电子公司

【发行】瑞萨电子公司（<http://www.renesas.com>）

【业务咨询】<http://www.renesas.com/inquiry>

Notice

1. All information included in this document is current as of the date this document is issued. Such information, however, is subject to change without any prior notice. Before purchasing or using any Renesas Electronics products listed herein, please confirm the latest product information with a Renesas Electronics sales office. Also, please pay regular and careful attention to additional and different information to be disclosed by Renesas Electronics such as that disclosed through our website.
2. Renesas Electronics does not assume any liability for infringement of patents, copyrights, or other intellectual property rights of third parties by or arising from the use of Renesas Electronics products or technical information described in this document. No license, express, implied or otherwise, is granted hereby under any patents, copyrights or other intellectual property rights of Renesas Electronics or others.
3. You should not alter, modify, copy, or otherwise misappropriate any Renesas Electronics product, whether in whole or in part.
4. Descriptions of circuits, software and other related information in this document are provided only to illustrate the operation of semiconductor products and application examples. You are fully responsible for the incorporation of these circuits, software, and information in the design of your equipment. Renesas Electronics assumes no responsibility for any losses incurred by you or third parties arising from the use of these circuits, software, or information.
5. When exporting the products or technology described in this document, you should comply with the applicable export control laws and regulations and follow the procedures required by such laws and regulations. You should not use Renesas Electronics products or the technology described in this document for any purpose relating to military applications or use by the military, including but not limited to the development of weapons of mass destruction. Renesas Electronics products and technology may not be used for or incorporated into any products or systems whose manufacture, use, or sale is prohibited under any applicable domestic or foreign laws or regulations.
6. Renesas Electronics has used reasonable care in preparing the information included in this document, but Renesas Electronics does not warrant that such information is error free. Renesas Electronics assumes no liability whatsoever for any damages incurred by you resulting from errors in or omissions from the information included herein.
7. Renesas Electronics products are classified according to the following three quality grades: “Standard”, “High Quality”, and “Specific”. The recommended applications for each Renesas Electronics product depends on the product’s quality grade, as indicated below. You must check the quality grade of each Renesas Electronics product before using it in a particular application. You may not use any Renesas Electronics product for any application categorized as “Specific” without the prior written consent of Renesas Electronics. Further, you may not use any Renesas Electronics product for any application for which it is not intended without the prior written consent of Renesas Electronics. Renesas Electronics shall not be in any way liable for any damages or losses incurred by you or third parties arising from the use of any Renesas Electronics product for an application categorized as “Specific” or for which the product is not intended where you have failed to obtain the prior written consent of Renesas Electronics. The quality grade of each Renesas Electronics product is “Standard” unless otherwise expressly specified in a Renesas Electronics data sheets or data books, etc.
 - “Standard”: Computers; office equipment; communications equipment; test and measurement equipment; audio and visual equipment; home electronic appliances; machine tools; personal electronic equipment; and industrial robots.
 - “High Quality”: Transportation equipment (automobiles, trains, ships, etc.); traffic control systems; anti-disaster systems; anti-crime systems; safety equipment; and medical equipment not specifically designed for life support.
 - “Specific”: Aircraft; aerospace equipment; submersible repeaters; nuclear reactor control systems; medical equipment or systems for life support (e.g. artificial life support devices or systems), surgical implantations, or healthcare intervention (e.g. excision, etc.), and any other applications or purposes that pose a direct threat to human life.
8. You should use the Renesas Electronics products described in this document within the range specified by Renesas Electronics, especially with respect to the maximum rating, operating supply voltage range, movement power voltage range, heat radiation characteristics, installation and other product characteristics. Renesas Electronics shall have no liability for malfunctions or damages arising out of the use of Renesas Electronics products beyond such specified ranges.
9. Although Renesas Electronics endeavors to improve the quality and reliability of its products, semiconductor products have specific characteristics such as the occurrence of failure at a certain rate and malfunctions under certain use conditions. Further, Renesas Electronics products are not subject to radiation resistance design. Please be sure to implement safety measures to guard them against the possibility of physical injury, and injury or damage caused by fire in the event of the failure of a Renesas Electronics product, such as safety design for hardware and software including but not limited to redundancy, fire control and malfunction prevention, appropriate treatment for aging degradation or any other appropriate measures. Because the evaluation of microcomputer software alone is very difficult, please evaluate the safety of the final products or system manufactured by you.
10. Please contact a Renesas Electronics sales office for details as to environmental matters such as the environmental compatibility of each Renesas Electronics product. Please use Renesas Electronics products in compliance with all applicable laws and regulations that regulate the inclusion or use of controlled substances, including without limitation, the EU RoHS Directive. Renesas Electronics assumes no liability for damages or losses occurring as a result of your noncompliance with applicable laws and regulations.
11. This document may not be reproduced or duplicated, in any form, in whole or in part, without prior written consent of Renesas Electronics.
12. Please contact a Renesas Electronics sales office if you have any questions regarding the information contained in this document or Renesas Electronics products, or if you have any other inquiries.

(Note 1) “Renesas Electronics” as used in this document means Renesas Electronics Corporation and also includes its majority-owned subsidiaries.

(Note 2) “Renesas Electronics product(s)” means any product developed or manufactured by or for Renesas Electronics.

E8/E8a 仿真器

用户手册附加文档

连接H8/38099F和H8/38799F时的注意事项

瑞萨单片机开发环境系统

H8族 / H8/300H超低功率系列

R0E000080KCE00EP28

Notes regarding these materials

1. This document is provided for reference purposes only so that Renesas customers may select the appropriate Renesas products for their use. Renesas neither makes warranties or representations with respect to the accuracy or completeness of the information contained in this document nor grants any license to any intellectual property rights or any other rights of Renesas or any third party with respect to the information in this document.
2. Renesas shall have no liability for damages or infringement of any intellectual property or other rights arising out of the use of any information in this document, including, but not limited to, product data, diagrams, charts, programs, algorithms, and application circuit examples.
3. You should not use the products or the technology described in this document for the purpose of military applications such as the development of weapons of mass destruction or for the purpose of any other military use. When exporting the products or technology described herein, you should follow the applicable export control laws and regulations, and procedures required by such laws and regulations.
4. All information included in this document such as product data, diagrams, charts, programs, algorithms, and application circuit examples, is current as of the date this document is issued. Such information, however, is subject to change without any prior notice. Before purchasing or using any Renesas products listed in this document, please confirm the latest product information with a Renesas sales office. Also, please pay regular and careful attention to additional and different information to be disclosed by Renesas such as that disclosed through our website. (<http://www.renesas.com>)
5. Renesas has used reasonable care in compiling the information included in this document, but Renesas assumes no liability whatsoever for any damages incurred as a result of errors or omissions in the information included in this document.
6. When using or otherwise relying on the information in this document, you should evaluate the information in light of the total system before deciding about the applicability of such information to the intended application. Renesas makes no representations, warranties or guaranties regarding the suitability of its products for any particular application and specifically disclaims any liability arising out of the application and use of the information in this document or Renesas products.
7. With the exception of products specified by Renesas as suitable for automobile applications, Renesas products are not designed, manufactured or tested for applications or otherwise in systems the failure or malfunction of which may cause a direct threat to human life or create a risk of human injury or which require especially high quality and reliability such as safety systems, or equipment or systems for transportation and traffic, healthcare, combustion control, aerospace and aeronautics, nuclear power, or undersea communication transmission. If you are considering the use of our products for such purposes, please contact a Renesas sales office beforehand. Renesas shall have no liability for damages arising out of the uses set forth above.
8. Notwithstanding the preceding paragraph, you should not use Renesas products for the purposes listed below:
 - (1) artificial life support devices or systems
 - (2) surgical implantations
 - (3) healthcare intervention (e.g., excision, administration of medication, etc.)
 - (4) any other purposes that pose a direct threat to human lifeRenesas shall have no liability for damages arising out of the uses set forth in the above and purchasers who elect to use Renesas products in any of the foregoing applications shall indemnify and hold harmless Renesas Technology Corp., its affiliated companies and their officers, directors, and employees against any and all damages arising out of such applications.
9. You should use the products described herein within the range specified by Renesas, especially with respect to the maximum rating, operating supply voltage range, movement power voltage range, heat radiation characteristics, installation and other product characteristics. Renesas shall have no liability for malfunctions or damages arising out of the use of Renesas products beyond such specified ranges.
10. Although Renesas endeavors to improve the quality and reliability of its products, IC products have specific characteristics such as the occurrence of failure at a certain rate and malfunctions under certain use conditions. Please be sure to implement safety measures to guard against the possibility of physical injury, and injury or damage caused by fire in the event of the failure of a Renesas product, such as safety design for hardware and software including but not limited to redundancy, fire control and malfunction prevention, appropriate treatment for aging degradation or any other applicable measures. Among others, since the evaluation of microcomputer software alone is very difficult, please evaluate the safety of the final products or system manufactured by you.
11. In case Renesas products listed in this document are detached from the products to which the Renesas products are attached or affixed, the risk of accident such as swallowing by infants and small children is very high. You should implement safety measures so that Renesas products may not be easily detached from your products. Renesas shall have no liability for damages arising out of such detachment.
12. This document may not be reproduced or duplicated, in any form, in whole or in part, without prior written approval from Renesas.
13. Please contact a Renesas sales office if you have any questions regarding the information contained in this document, Renesas semiconductor products, or if you have any other inquiries.

注意

本文只是参考译文，前页所载英文版“Cautions”具有正式效力。

关于利用本资料时的注意事项

1. 本资料是为了让用户根据用途选择合适的本公司产品的参考资料，对于本资料中所记载的技术信息，并非意味着对本公司或者第三者的知识产权及其他权利做出保证或对实施权力进行的承诺。
2. 对于因使用本资料所记载的产品数据、图、表、程序、算法及其他应用电路例而引起的损害或者对第三者的知识产权及其他权利造成侵犯，本公司不承担任何责任。
3. 不能将本资料所记载的产品和技术用于大规模破坏性武器的开发等目的、军事目的或其他的军需用途方面。另外，在出口时必须遵守日本的《外汇及外国贸易法》及其他出口的相关法令并履行这些法令中规定的必要手续。
4. 本资料所记载的产品数据、图、表、程序、算法以及其他应用电路例等所有信息均为本资料发行时的内容，本公司有可能在未做事先通知的情况下，对本资料所记载的产品或者产品规格进行更改。所以在购买和使用本公司的半导体产品之前，请事先向本公司的营业窗口确认最新的信息并经常留意本公司通过公司主页 (<http://www.renesas.com>)等公开的最新信息。
5. 对于本资料中所记载的信息，制作时我们尽力保证出版时的精确性，但不承担因本资料的叙述不当而使顾客遭受损失等的任何相关责任。
6. 在使用本资料所记载的产品数据、图、表等所示的技术内容、程序、算法及其他应用电路例时，不仅要对所使用的技术信息进行单独评价，还要对整个系统进行充分的评价。请顾客自行负责，进行是否适用的判断。本公司对于是否适用不负任何责任。
7. 本资料中所记载的产品并非针对万一出现故障或是错误运行就会威胁到人的生命或给人体带来危害的机器、系统(如各种安全装置或者运输交通用的、医疗、燃烧控制、航天器械、核能、海底中继用的机器和系统等)而设计和制造的,特别是对于品质和可靠性要求极高的机器和系统等(将本公司指定用于汽车方面的产品用于汽车时除外)。如果要用于上述的目的,请务必事先向本公司的营业窗口咨询。另外,对于用于上述目的而造成的损失等,本公司概不负责。
8. 除上述第7项内容外,不能将本资料中记载的产品用于以下用途。如果用于以下用途而造成的损失,本公司概不负责。
 - 1) 生命维持装置。
 - 2) 植埋于人体使用的装置。
 - 3) 用于治疗(切除患部、给药等)的装置。
 - 4) 其他直接影响到人的生命的装置。
9. 在使用本资料所记载的产品时,对于最大额定值、工作电源电压的范围、放热特性、安装条件及其他条件请在本公司规定的保证范围内使用。如果超出了本公司规定的保证范围使用时,对于由此而造成的故障和出现的事故,本公司将不承担任何责任。
10. 本公司一直致力于提高产品的质量和可靠性,但一般来说,半导体产品总会以一定的概率发生故障、或者由于使用条件不同而出现错误运行等。为了避免因本公司的产品发生故障或者错误运行而导致人身事故和火灾或造成社会性的损失,希望客户能自行负责进行冗余设计、采取延烧对策及进行防止错误运行等的安全设计(包括硬件和软件两方面的设计)以及老化处理等,这是作为机器和系统的出厂保证。特别是单片机的软件,由于单独进行验证很困难,所以要求在顾客制造的最终的机器及系统上进行安全检验工作。
11. 如果把本资料所记载的产品从其载体设备上卸下,有可能造成婴儿误吞的危险。顾客在将本公司产品安装到顾客的设备上时,请顾客自行负责将本公司产品设置为不容易剥落的安全设计。如果从顾客的设备上剥落而造成事故时,本公司将不承担任何责任。
12. 在未得到本公司的事先书面认可时,不可将本资料的一部分或者全部转载或者复制。
13. 如果需要了解关于本资料的详细内容,或者有其他关心的问题,请向本公司的营业窗口咨询。

目 录

第 1 章	E8/E8a 仿真器用户手册内容	1
第 2 章	连接仿真器与用户系统	2
第 3 章	E8/E8a 连接器的引脚分配	3
第 4 章	仿真器连接示例	4
第 5 章	MCU（H8/38099F 和 H8/38799F）和仿真器的不同点	9

注意： 本手册适用于 E8 或 E8a 仿真器软件的以下产品版本。

表 E8/E8a 仿真器软件

E8a Emulator V.1.00 Release 00 或更高版本 (H8 Tiny/ 超低功率 E8a Emulator V.1.00.00 或更高版本) *
E8 Emulator V.2.10 Release 00 或更高版本 (H8 Tiny/ 超低功率 E8 Emulator V.1.05.00 或更高版本) *

注意： 此为调试器的修订版。

第 1 章 E8/E8a 仿真器用户手册内容

E8 或 E8a 仿真器（在本文档下文中简称 E8/E8a）手册由两个文档组成：“E8/E8a 用户手册”和“E8/E8a 用户手册附加文档”（本文档）。请务必在使用 E8/E8a 仿真器之前先阅读这两个文档。

(1) E8/E8a 仿真器用户手册

“E8/E8a 仿真器用户手册”介绍硬件规格以及如何使用仿真调试器。

- E8/E8a 仿真器硬件规格
- 将 E8/E8a 仿真器连接到主机或用户系统
- 运行 E8/E8a 仿真调试器
- 教程：从启动 E8/E8a 仿真调试器到调试

(2) E8/E8a 用户手册附加文档

“E8/E8a 用户手册附加文档”介绍与 MCU 有关的内容以及注意事项。

- 设计硬件所需的 E8/E8a 仿真器连接或接口电路的示例
- 使用 E8/E8a 仿真器时的注意事项
- 启动过程中设置 E8/E8a 仿真调试器

第 2 章 连接仿真器与用户系统

在连接 E8/E8a 仿真器（下文简称仿真器）与用户系统前，必须先在用户系统中安装一个连接器，以便连接用户系统接口电缆。设计用户系统时，请参阅本手册中所示的连接器和推荐的电路。

设计用户系统前，务必先阅读 E8/E8a 仿真器用户手册和相关 MCU 的硬件手册。

表 2.1 列出了推荐用于仿真器的连接器。

表 2.1 推荐的连接器

型号	制造商	规格
2514-6002	3M Limited	14 引脚直插型

将用户系统连接器的引脚 2、4、6、10、12 和 14 稳固连接到 PCB（印刷电路板）上的 GND（接地）。这些引脚将用作电接地，并监控用户系统连接器的连接。请注意用户系统连接器的引脚分配。

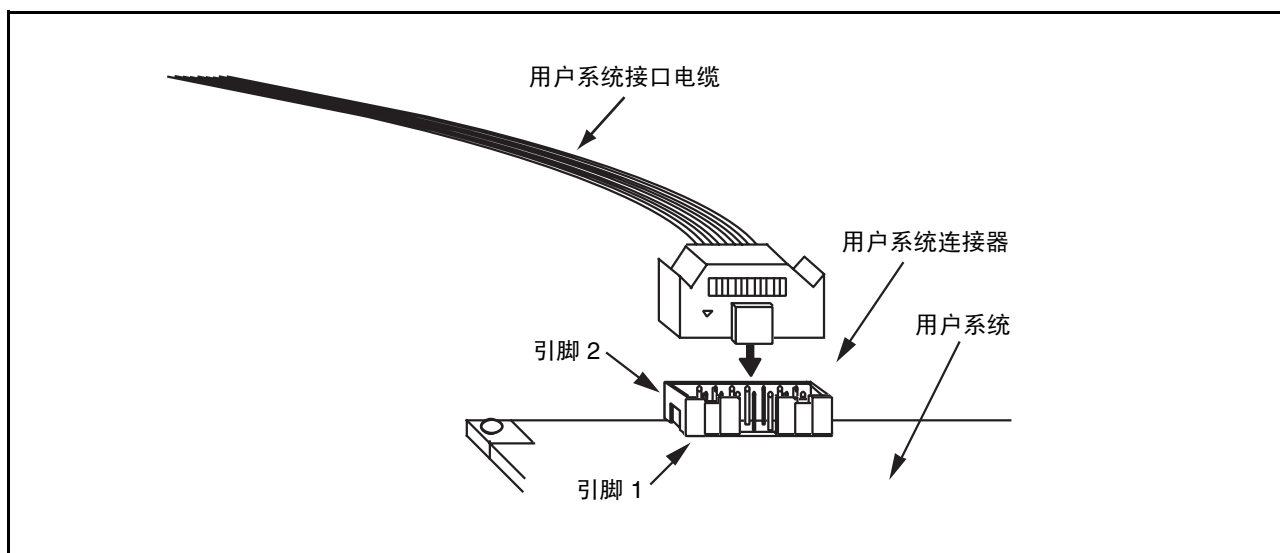


图 2.1 将用户系统接口电缆连接到用户系统

- 注意：
1. 14 引脚连接器的引脚编号分配与 E10A-USB 仿真器不同；但实际位置是相同的。
 2. 请勿在连接器周围 3 mm 范围内安装任何部件。
 3. 在 [Program Flash]（闪存编程）模式下使用仿真器时，请以同样的方式将仿真器连接到用户系统。

第 3 章 E8/E8a 连接器的引脚分配

图 3.1 显示连接器的引脚分配。

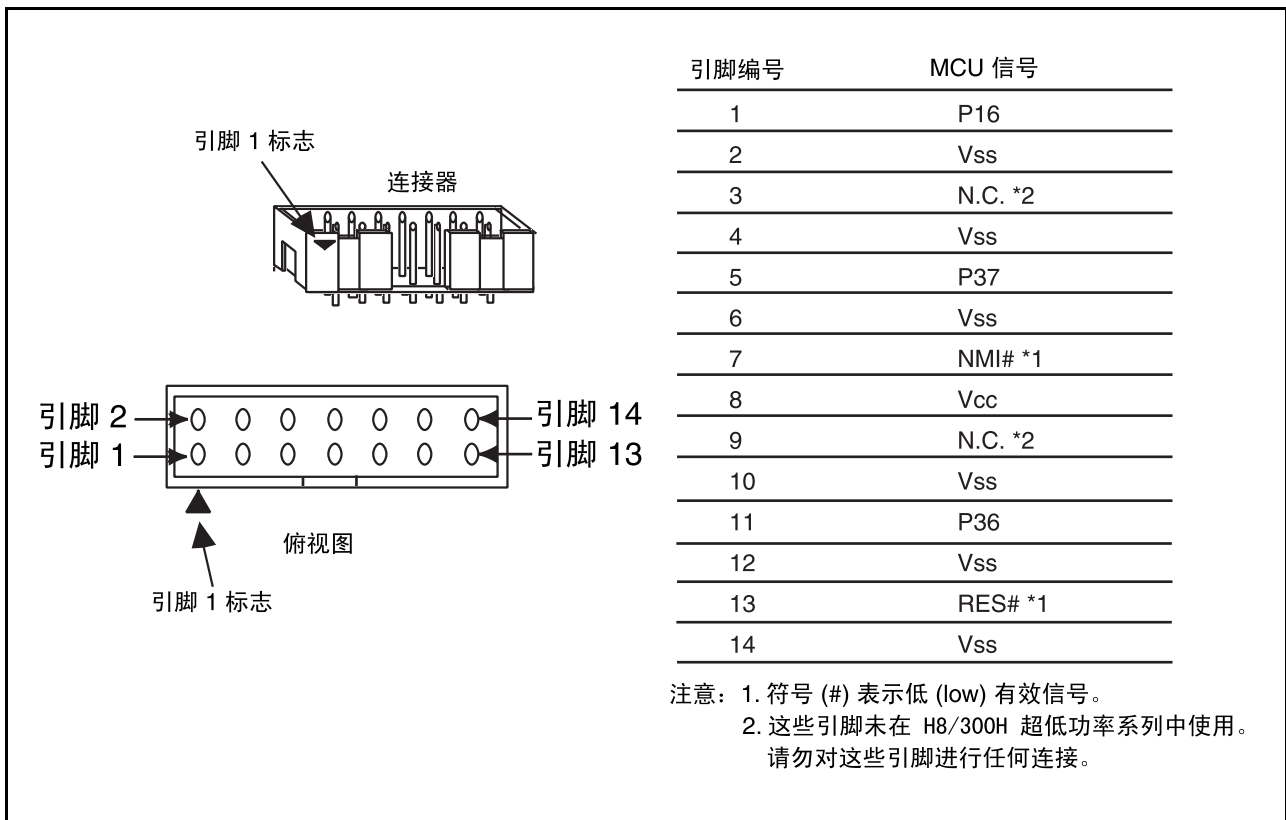


图 3.1 连接器的引脚分配

第 4 章 仿真器连接示例

图 4.1 显示了仿真器与 MCU 的连接示例。

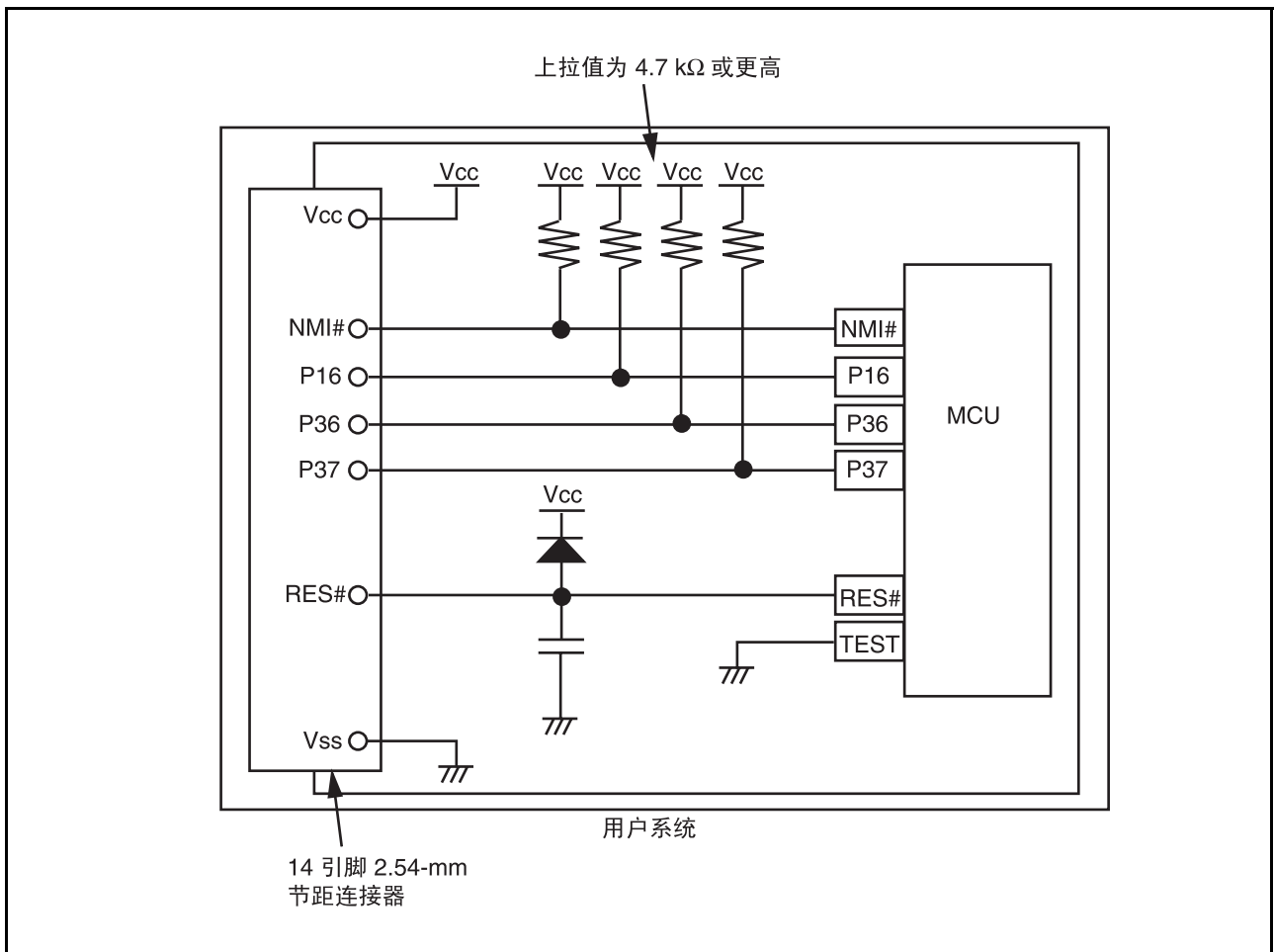


图 4.1 仿真器连接示例

注意： 1. P16、P36 和 P37 引脚由仿真器使用。上拉并连接仿真器和 MCU 引脚。

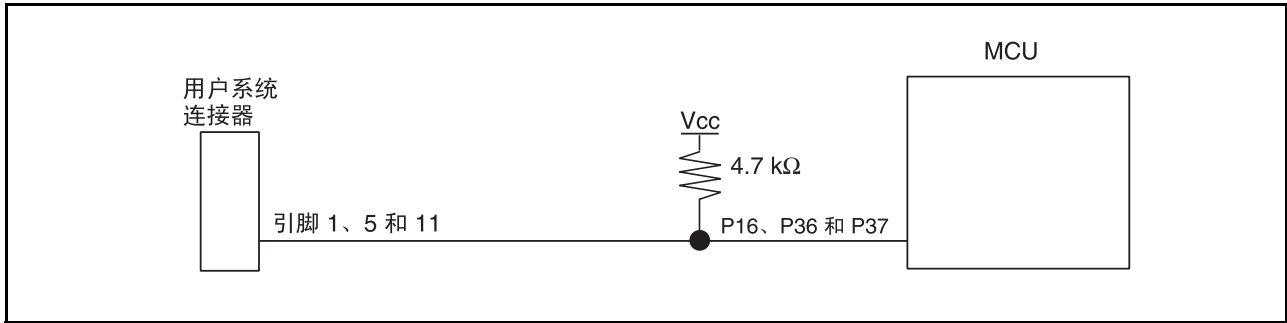


图 4.2 仿真器与 P16、P36 和 P37 引脚的连接

2. 仿真器将 NMI# 信号用于强制中断控制。直接连接仿真器和 MCU 引脚。在没有强制中断控制的调试中，使用 HEW 更改模式。过后，通过集电极开路输出缓冲器连接用户逻辑电路时，可在用户系统中使用 NMI# 引脚（不过在加电时，使用 NMI# 引脚的是仿真器）。

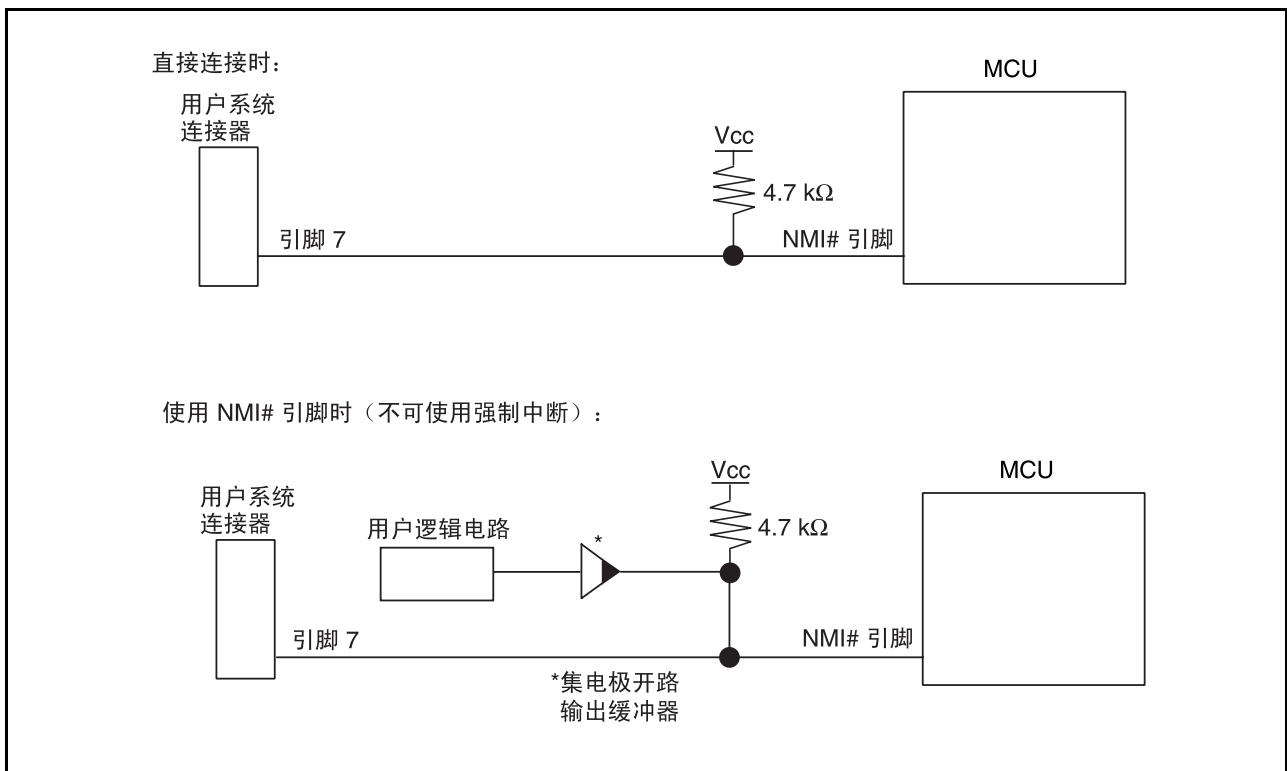


图 4.3 仿真器和 NMI# 引脚的连接

3. RES# 引脚由仿真器使用。建立如下电路，以便可接受来自仿真器的复位输入。

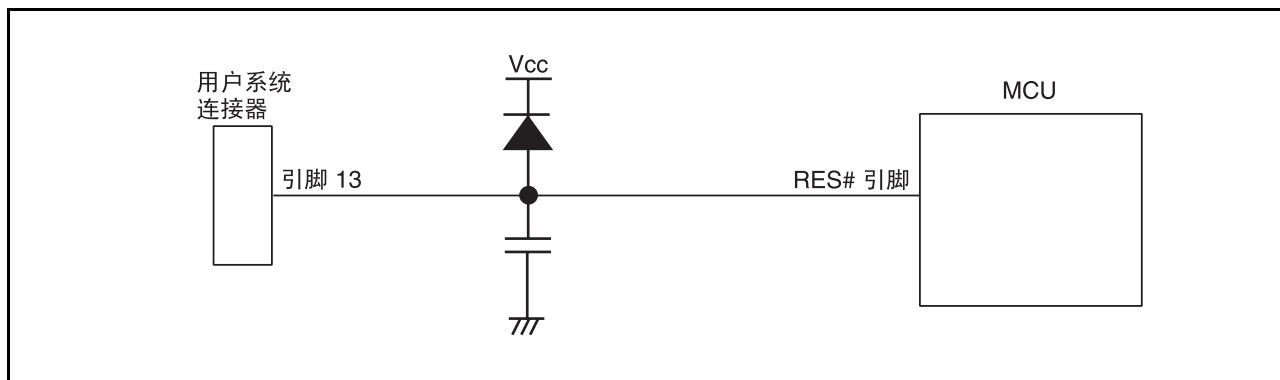


图 4.4 复位电路示例

4. 将 Vss 和 Vcc 分别与 MCU 的 Vss 和 Vcc 连接（在单片机的保证范围内）。
使用电源模式时，将向用户系统供电。确认用户系统的功耗或电压在 E8/E8a 的可用范围内，从而避免电源电路关闭等问题。
5. 不要对标有 N.C.（无连接）的引脚进行任何连接。
6. 在仿真器连接到用户系统后，将 MCU 的 TEST 引脚接地。

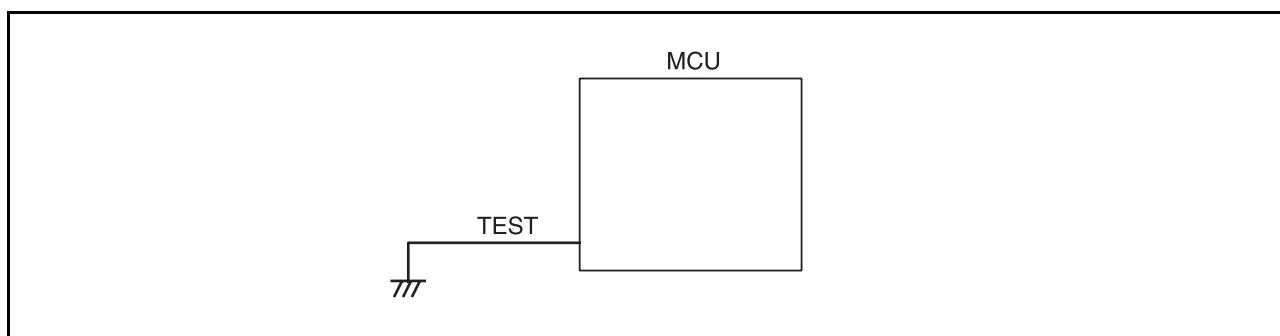


图 4.5 仿真器和 TEST 引脚

注意：连接仿真器后，不能使用 ADTRG#，因为它也用作 TEST 引脚。



警告

在电源模式下连接仿真器前，先确认用户系统上的电源电路未关闭或用户系统连接器的引脚编号分配正确。否则会引起火灾并损坏主机、仿真器和用户系统。

7. 图 4.6 和 4.7 分别显示了 E8 和 E8a 仿真器中的接口电路。请参考这些图来确定上拉电阻值。

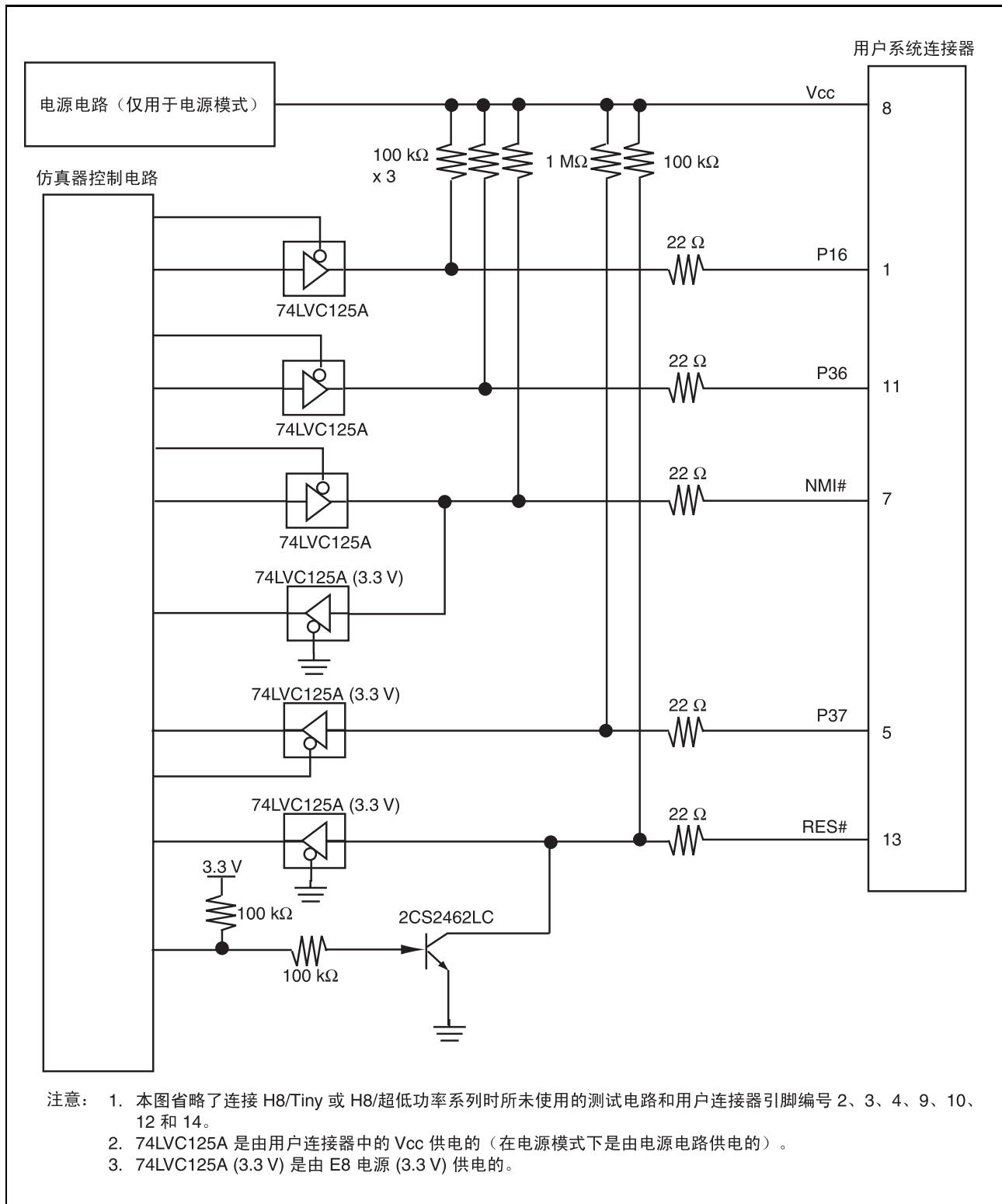


图 4.6 E8 仿真器中的接口电路（参考）

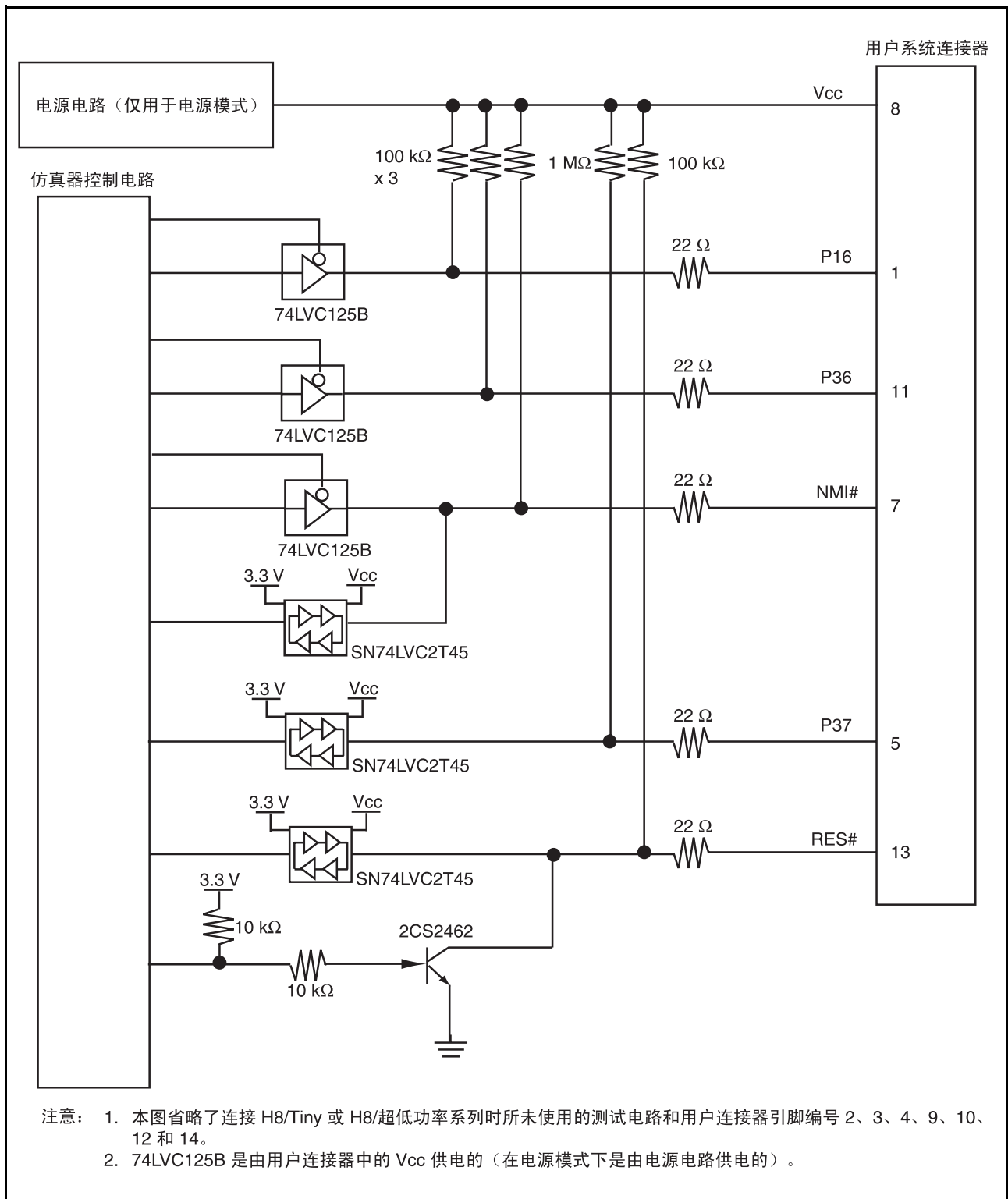


图 4.7 E8a 仿真器中的接口电路（参考）

第 5 章 MCU (H8/38099F 和 H8/38799F) 和仿真器的不同点

本章说明仿真器和 MCU 在运行时的不同点。

1. [Emulator Setting] (仿真器设置) 对话框

[Emulator Setting] (仿真器设置) 对话框用于设置仿真器启动时需要设置的项目 (设置将保存在会话中)。

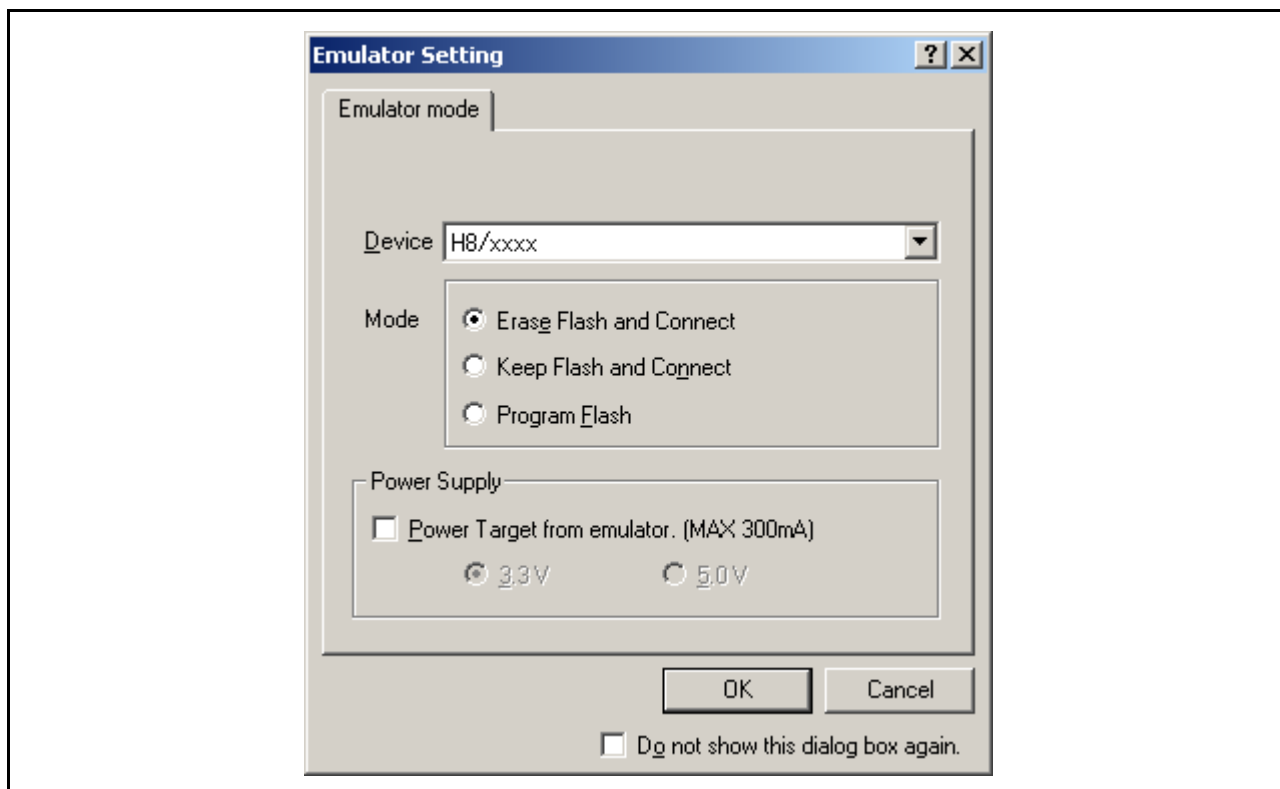


图 5.1 [Emulator Setting] (仿真器设置) 对话框

如果不希望仿真器在下次启动时显示 [Emulator Setting] (仿真器设置) 对话框, 请选中 [Emulator Setting] (仿真器设置) 对话框底部的 [Do not show this dialog box again.] (不再显示此对话框。)

可以通过下列方法之一来打开 [Emulator Setting] (仿真器设置) 对话框:

- 仿真器启动以后, 在菜单上选择 [Setup] (设置) → [Emulator] (仿真器) → [Emulator Setting...] (仿真器设置...)
- 在按住 Ctrl 键的同时启动仿真器。
- 如果仿真器启动后发生错误, 请重新启动仿真器。

选中 [Do not show this dialog box again.] (不再显示此对话框。) 后, 仿真器将不向用户系统供电。若要使用此复选框, 请在接通电源后启动仿真器。

2. [Emulator Mode] (仿真器模式)

在 [Emulator Setting] (仿真器设置) 对话框的 [Emulator mode] (仿真器模式) 页面中选择器件、指定模式以及设置电源。

— [Device] (器件)

从 [Device] (器件) 组合框中选择所用器件的名称。在 [Mode] (模式) 分组框中选择下列项目。

— [Mode] (模式)

• [Erase Flash and Connect] (擦除闪存并连接)

此模式在目标器件的闪存中没有仿真器程序时使用。在此模式下，目标器件的闪存数据会在仿真器激活时被擦除。在初次激活仿真器、更新了仿真器软件的版本或更改了 ID 码时选择此项目。

• [Keep Flash and Connect] (保留闪存并连接)

此模式在目标器件的闪存中有仿真器程序时使用。输入上面指定的 ID 码 (“Erase Flash and Connect” (擦除闪存并连接))。如果输入了错误的代码，则闪存上的所有程序都将被擦除。

注意： 选择 [Do not show this dialog box again.] (不再显示此对话框。) 后在此模式下启动仿真器时，E8 和 E8a 仿真器的 ID 码初始值分别为 “00E8” 和 “0E8a”。如果使用初始值以外的 ID 码，请勿使用 [Do not show this dialog box again.] (不再显示此对话框。))。

• [Program Flash] (闪存编程)

此模式在仿真器用于闪存编程时使用。禁止对程序进行调试。若要下载加载模块，请在工作空间中注册该模块。

注意： 在 H8/Tiny 或 H8/超低功率器件中，在 [Program Flash] (闪存编程) 模式下不输入 ID 码。

— [Power Supply] (电源)

选中 [Power Target from emulator. (MAX 300mA)] (来自仿真器的电源目标 (最大 300mA)) 后，用户系统最多将获得 300 mA 的供电。然后根据用户系统的电压选择 3.3 V 或 5.0 V。

3. 仿真器激活和 ID 码

在 H8/Tiny 或 H8/超低功率系列 MCU 中，[System Clock] (系统时钟) 和 [ID Code] (ID 码) 对话框在仿真器激活时进行设置。

— 设置系统时钟

输入所使用的电路板的时钟值。每个 MCU 具有不同的初始值。

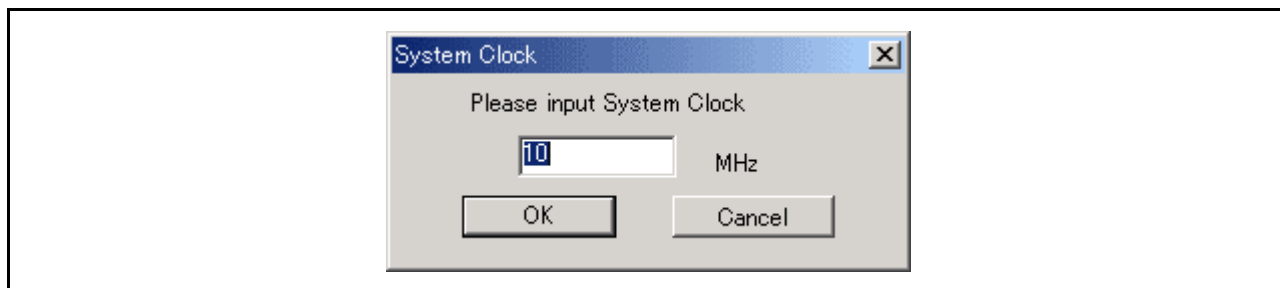


图 5.2 [System Clock] (系统时钟) 对话框

— 设置 ID 码

在 [Erase Flash and Connect] (擦除闪存并连接) 模式下激活仿真器时, 输入要设置的任意十六进制四位 ID 码 (H'FFFF 除外)。初始值是 H'00E8。* 在 [Keep Flash and Connect] (保留闪存并连接) 模式下激活仿真器时, 需输入正确的 ID 码。如果输入了不正确的 ID 码, 闪存上的所有内容都将被擦除。如果发生这种情况, 就必须在 [Erase Flash and Connect] (擦除闪存并连接) 模式下重新启动仿真器。

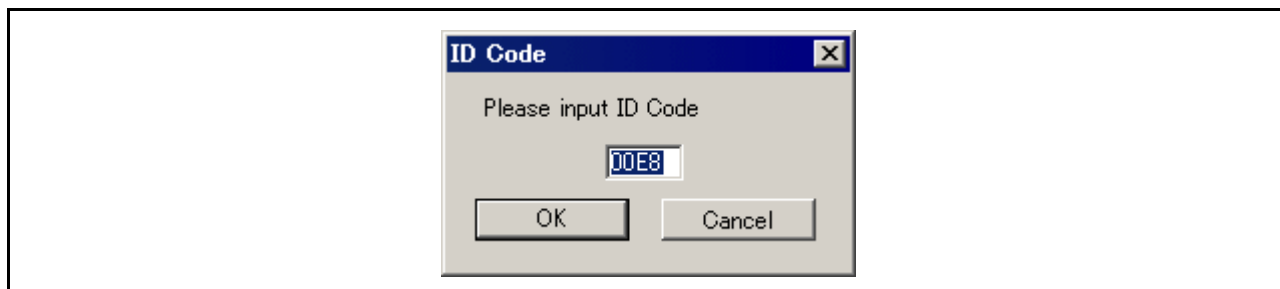


图 5.3 [ID Code] (ID 码) 对话框

注意: 对于 E8a 仿真器, 初始值为 H'0E8a。

- 仿真器系统启动时, 会初始化通用寄存器及部分控制寄存器, 如表 5.1 所示。

表 5.1 仿真器加电时的寄存器初始值

寄存器	初始值
PC	向量地址表中的复位向量值
ER0 到 ER6	H'000000
ER7 (SP)	H'FFFF80
CCR	H'80

5. 低功率模式

在用户程序暂停期间, 为了高速运行, 将 CPU 工作频率强制设置为系统时钟 (ϕ)。

6. RES# 信号

MCU 信号仅在单击 [GO] (执行) 按钮或 [STEP] (步进) 类型按钮启动的用户程序执行期间有效。RES# 信号在用户程序暂停期间不会发送到 MCU。

注意: 在控制输入信号 (RES#) 为低 (Low) 电平时, 请勿执行用户程序或存取存储器。否则将发生 TIMEOUT (超时) 错误。

7. 系统控制寄存器

在仿真器中, 可从 [IO] 窗口存取内部 I/O 寄存器。不过, 在存取系统控制寄存器时应多加小心。因为仿真器会在断点处保存系统控制寄存器的寄存器值, 然后在执行用户程序时返回该值。由于这是在暂停期间进行的, 因此请勿重写 [IO] 窗口中的系统控制寄存器。

8. 仿真过程中的存储器存取

如果在仿真过程中引用或修改了存储器内容, 将因为用户程序暂时停止而无法进行实时仿真。

9. 由于仿真器通过使用 NMI#、RES#、P16、P36 以及 P37 引脚与 MCU 进行通信，因此不能使用这些引脚。不过，在更改 [Configuration]（配置）对话框中的 [NMI singal]（NMI 信号）分组框设置后，可以使用 NMI# 引脚。
10. [Program Flash]（闪存编程）模式下所显示的 [Sum Data]（总和数据）
[Program Flash]（闪存编程）模式下所显示的 [Sum data]（总和数据）是按字节将整个 ROM 区的数据相加的值（其中包括仿真器的专用 ROM 区中的数据）。
11. 执行用户程序时的注意事项
由于仿真器在闪存编程（Go（执行）、Step In（跳入）、Step Out（跳出）或 Step Over（跳过））过程中使用闪存和看门狗定时寄存器，因此将导致设置值被重写。
12. MCU 耗用的功率可达几毫安。这是因为用户电源驱动 IC 使通信信号的电平符合用户系统电源电压。由于仿真器不进行通信，因此耗用在用户程序执行期间的功率上升较少，在暂停期间上升较多。
13. 仿真器的程序区
仿真器程序使用闪存和内部 RAM 的一部分区域，所以不能对这部分区域进行存取。如果仿真器程序区的内容发生更改，仿真器将无法正常运行。如果发生这种情况，就必须在 [Erase Flash and Connect]（擦除闪存并连接）模式下重新启动仿真器。

表 5.2 E8/E8a 仿真器的程序区

MCU 名称	程序区
H8/38099F H8/38799F	仿真器 ROM: H'20000 到 H'20FFF 内部 RAM: H'FFA000 到 H'FFA7FF 向量及其他: H'0002 到 H'00097、H'CFF8 到 H'CFF9、H'000004 到 H'000017、 H'20FF8 到 H'20FFF

14. 仿真器使用两个字的堆栈指针来获取用户程序暂停时存储的值。因此，堆栈区必须接受两个字的地址。
15. 请勿使用已用于调试的 MCU。
如果多次重写闪存，数据可能会在仿真器几天不使用后因无法保留而被擦除，造成这些数据丢失。
如果显示错误信息，则应更换新的 MCU。
16. 强制断点功能
在仿真器中将 NMI# 信号用于强制断点时，仿真器程序会重写 NMI# 的向量地址。此时如果对主机中的文件和闪存内容进行验证，就会发生错误。请勿在保存闪存内容后将其用作掩模 ROM 的 ROM 数据。
17. 设置 NMI# 信号的使用
在 [Configuration]（配置）对话框中，如果 NMI# 信号在用户程序中使用时被更改，NMI# 的向量地址就无法恢复。此时必须重新加载用户程序。
18. 地址断点解除功能
在 [Configuration]（配置）对话框中，如果地址断点在用户程序中使用时被更改，将在此仿真器中禁止 Break Condition 2（断点条件 2）。
19. 对于 H8/38099F 或 H8/38799F，系统时钟的内部谐振器可用；但在使用仿真器时，振荡器或谐振器必须连接到 OSC1 和 OSC2 引脚。

20. 硬件断点功能

- 在 H8/38099F 或 H8/38799F E8/E8a 仿真器中，可以设置 Break Condition 1,2,3,4（断点条件 1、2、3、4）的条件。表 5.3 列出了可以指定的各个项目。

注意： 在用户程序中使用地址断点时，将禁止 Break Condition 2（断点条件 2）。

表 5.3 硬件断点条件指定项目

项目	说明
地址总线条件	在 MCU 地址总线值匹配指定值时中断。
数据总线条件	在 MCU 的数据总线值匹配指定值时中断。存取数据长度可指定为高位或低位字节或字。
读/写条件	读/写周期中的断点。

表 5.4 列出了可在 [Break condition]（断点条件）对话框中设置的条件组合。

表 5.4 在 [Break condition]（断点条件）对话框中设置的条件

对话框	条件		
	地址总线条件	数据条件	读/写条件
[Break condition 1]（断点条件 1）	<input type="radio"/>	<input type="radio"/>	<input type="radio"/>
[Break condition 2]（断点条件 2）	<input type="radio"/>	<input type="radio"/>	<input type="radio"/>
[Break condition 3]（断点条件 3）	<input type="radio"/>	<input checked="" type="checkbox"/>	<input checked="" type="checkbox"/>
[Break condition 4]（断点条件 4）	<input type="radio"/>	<input checked="" type="checkbox"/>	<input checked="" type="checkbox"/>

注意： ：可以通过选中对话框中的单选按钮来设置。

表 5.5 列出了可通过 BREAKCONDITION_SET 命令设置的条件组合。

表 5.5 通过 BREAKCONDITION_SET 命令设置的条件

通道	条件		
	地址总线条件 (<input type="radio"/> 选项)	数据条件 (<input checked="" type="checkbox"/> 选项)	读/写条件 (<input checked="" type="checkbox"/> 选项)
Break condition 1（断点条件 1）	<input type="radio"/>	<input type="radio"/>	<input type="radio"/>
Break condition 2（断点条件 2）	<input type="radio"/>	<input type="radio"/>	<input type="radio"/>
Break condition 3（断点条件 3）	<input type="radio"/>	<input checked="" type="checkbox"/>	<input checked="" type="checkbox"/>
Break condition 4（断点条件 4）	<input type="radio"/>	<input checked="" type="checkbox"/>	<input checked="" type="checkbox"/>

注意： ：可以通过 BREAKCONDITION_SET 命令来设置。

- 设置断点条件时的注意事项
 1. 选择 [Step In] (跳入)、[Step Over] (跳过) 或 [Step Out] (跳出) 后，将禁止设置断点条件。
 2. 执行已设置 BREAKPOINT (断点) 的指令后会禁止设置断点条件。
 3. 使用跳过 (step over) 功能后会禁止设置 BREAKPOINT (断点) 和 Break Condition (断点条件)。
 4. 不要进行任何同时满足 Break condition 2 (断点条件 2) 和 BREAKPOINT (断点) 或 Break Condition 1,3,4 (断点条件 1、3、4) 的设置。否则，Break condition 2 (断点条件 2) 的中断原因将保留，这样，在继续执行用户程序时不会执行任何指令，由此将发生中断。
 5. 如果满足 Break condition 2 (断点条件 2)，仿真器将使用转移跟踪信息的最新一个转移。
 6. 如果 Break condition 2 (断点条件 2) 与复位信号冲突，将不会导致中断。
21. 在 [Configuration] (配置) 对话框中设置的项目
仿真器运行条件是通过 [Configuration] (配置) 对话框设置的。

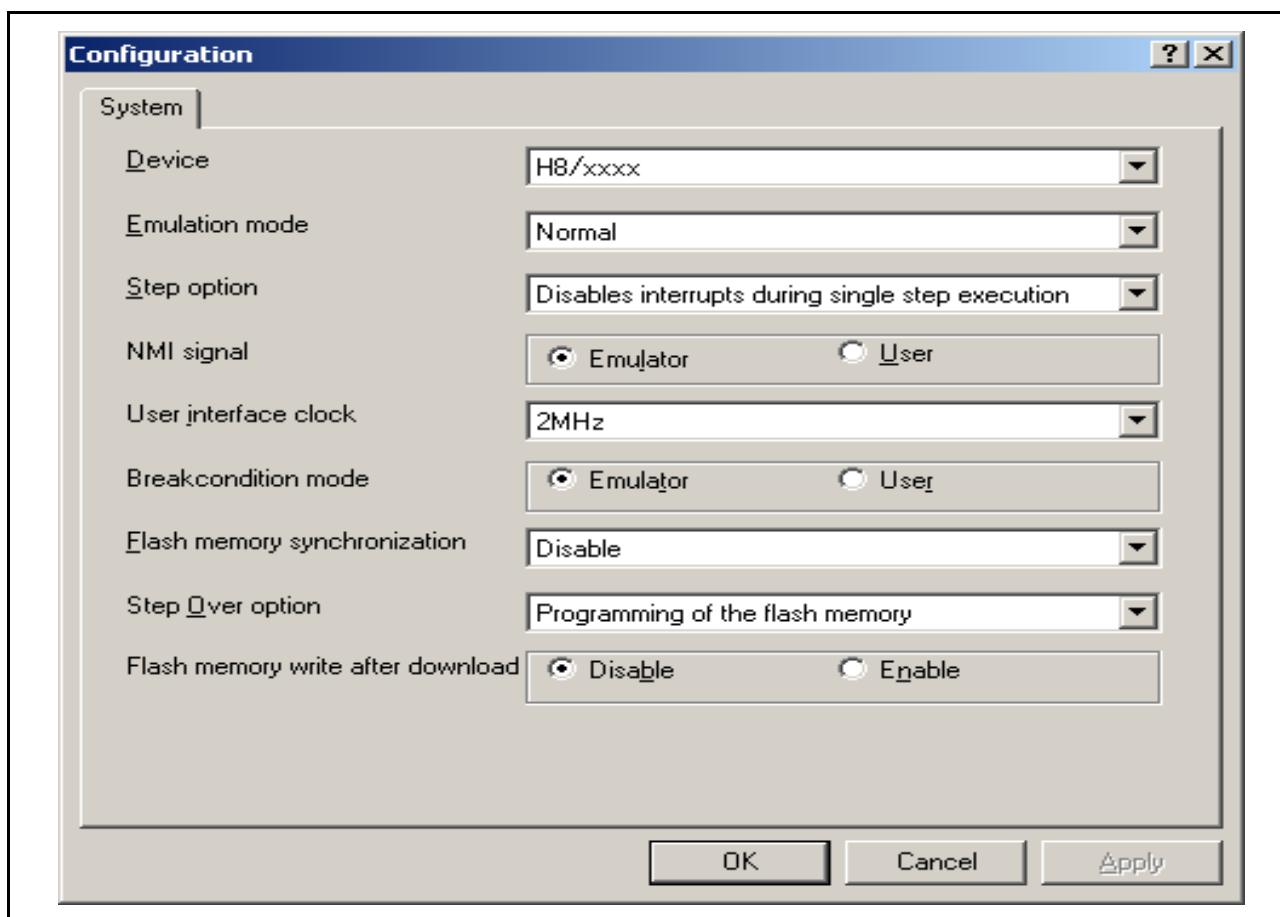


图 5.4 [Configuration] (配置) 对话框 ([System] (系统) 页)

下面列出了这个对话框中可能显示的项目。

[Device] (器件) 组合框	显示 MCU 名称。
[Emulation mode] (仿真模式) 组合框	选择执行用户程序时的仿真模式。
	选择 [Normal] (普通) 可执行正常仿真。
	选择 [No break] (无断点) 可禁止仿真过程中的 PC 断点或断点条件设置。
[Step option] (步进选项) 组合框	设置步进中断选项。
	[Disable interrupts during single step execution]: 在单步执行过程中禁止中断*1。
	[Enable interrupts during single step execution]: 在单步执行过程中允许中断*1。
[NMI signal] (NMI 信号) 分组框	设置 NMI# 信号的使用。
	在仿真器中用作强制断点时, 选择 [Emulator] (仿真器)。这时将不能使用 NMI# 信号。NMI# 向量地址的内容将被仿真器程序重写。在用户程序中使用时, 选择 [User] (用户)。这时将不能使用强制断点。在用户程序执行前, 设置异常处理的断点或断点条件, 然后生成异常以暂停程序。
[User interface clock] (用户接口时钟) 组合框	显示用户接口的传送时钟。
[Breakcondition mode] (断点条件模式) 分组框	设置地址断点解除功能。
	未在用户程序中使用地址断点功能时, 选择 [Emulator] (仿真器)。这时将可以使用硬件断点和步进功能。向量地址的内容将被仿真器程序重写, 以满足断点条件。
	在用户程序中使用地址断点时, 选择 [User] (用户)。这时将无法使用硬件断点功能 (Break Condition 2 (断点条件 2))。
[Flash memory synchronization] (闪存同步) 组合框	选择当用户程序停止时是否通过仿真器获取闪存的内容, 以及是否将设置 PC 断点的位置恢复为原始代码。
	如果用户程序未对闪存进行编程, 则仿真器无须获取其内容。
	如果闪存中的程序在替换为 PC 断点代码的状态下没有问题, 则设置 PC 断点的位置无需恢复成原始代码。
	[Disable] (禁止):
	除非仿真器已激活、闪存区已修改, 及闪存区的 PC 断点设置已更改, 否则将不执行对闪存的读取或编程。
	[PC to flash memory] (PC 至闪存):
	用户程序停止后, 指定的 PC 断点代码将替换为原始指令。如果闪存中的程序在替换为 PC 断点代码的状态下有问题, 则选择此选项。
	[Flash memory to PC] (闪存至 PC):
	用户程序停止后, 仿真器将读取闪存的内容。如果用户程序对闪存进行了再编程, 则选择此选项。
	[PC to flash memory, Flash memory to PC] (PC 至闪存后, 闪存至 PC):
	用户程序停止后, 仿真器将读取闪存内容, 而指定的 PC 断点代码将替换为原始指令。如果用户程序对闪存进行了再编程, 而闪存中的程序在替换为 PC 断点代码的状态下有问题, 则选择此选项。

[Step Over option] (跳过选项) 组合框	允许或禁止在执行逐步操作时对闪存进行编程。 [Programming of the flash memory] (对闪存进行编程): 对逐步操作 (如 Step Over (跳过)) 使用软件断点, 并允许对闪存进行编程。 [No Programming of the flash memory] (不对闪存进行编程): 对逐步操作 (如 Step Over (跳过)) 使用断点条件, 并禁止对闪存进行编程*2。
[Flash memory write after download] (下载后写入闪存) 分组框	允许或禁止在下载程序后对闪存进行编程。 [Disable] (禁止): 禁止在下载程序后对闪存进行编程。 [Enable] (允许): 允许在下载程序后对闪存进行编程。

- 注意:
- 包括暂停期间的中断。
 - 对 [Step Over option] (跳过选项) 选择了 [No Programming of the flash memory] (不对闪存进行编程) 并执行 Step Over (跳过) 时, JSR、BSR 或 TRAPA 指令的下一条指令也将执行。如果有连续的 JSR、BSR 或 TRAPA 指令, 则将继续执行, 直到遇到 JSR、BSR 或 TRAPA 以外的指令。(在 C 语言中有连续的函数调用时, 程序将逐步执行所有这些函数。)
22. 使用 Reset_CPU (复位 CPU) 功能初始化内部 I/O 寄存器
 一定要通过用户程序初始化如下所示的内部 I/O 寄存器, 因为不能通过选择 [Debug] (调试) → [Reset CPU] (复位 CPU) 或使用 RESET 命令来初始化这些寄存器。

表 5.6 未初始化的寄存器

MCU 名称	未初始化的寄存器
H8/38099F	IEGR、IENR1、IENR2、INTM、IRR1、IRR2、IWPR、CKSTPR1、CKSTPR2、
H8/38799F	CKSTPR3

**E8/E8a 仿真器
用户手册附加文档
连接 H8/38099F 和 H8/38799F 时的注意事项**

Publication Date: Rev1.00, Mar. 21, 2008
Published by: Sales Strategic Planning Div.
Renesas Technology Corp.
Edited by: Customer Support Department
Global Strategic Communication Div.
Renesas Solutions Corp.

Renesas Technology Corp. Sales Strategic Planning Div. Nippon Bldg., 2-6-2, Ohte-machi, Chiyoda-ku, Tokyo 100-0004, Japan



RENESAS SALES OFFICES

<http://www.renesas.com>

Refer to "<http://www.renesas.com/en/network>" for the latest and detailed information.

Renesas Technology America, Inc.
450 Holger Way, San Jose, CA 95134-1368, U.S.A
Tel: <1> (408) 382-7500, Fax: <1> (408) 382-7501

Renesas Technology Europe Limited
Dukes Meadow, Millboard Road, Bourne End, Buckinghamshire, SL8 5FH, U.K.
Tel: <44> (1628) 585-100, Fax: <44> (1628) 585-900

Renesas Technology (Shanghai) Co., Ltd.
Unit 204, 205, AZIACenter, No.1233 Lujiazui Ring Rd, Pudong District, Shanghai, China 200120
Tel: <86> (21) 5877-1818, Fax: <86> (21) 6887-7898

Renesas Technology Hong Kong Ltd.
7th Floor, North Tower, World Finance Centre, Harbour City, 1 Canton Road, Tsimshatsui, Kowloon, Hong Kong
Tel: <852> 2265-6688, Fax: <852> 2730-6071

Renesas Technology Taiwan Co., Ltd.
10th Floor, No.99, Fushing North Road, Taipei, Taiwan
Tel: <886> (2) 2715-2888, Fax: <886> (2) 2713-2999

Renesas Technology Singapore Pte. Ltd.
1 Harbour Front Avenue, #06-10, Keppel Bay Tower, Singapore 098632
Tel: <65> 6213-0200, Fax: <65> 6278-8001

Renesas Technology Korea Co., Ltd.
Kukje Center Bldg. 18th Fl., 191, 2-ka, Hangang-ro, Yongsan-ku, Seoul 140-702, Korea
Tel: <82> (2) 796-3115, Fax: <82> (2) 796-2145

Renesas Technology Malaysia Sdn. Bhd
Unit 906, Block B, Menara Amcorp, Amcorp Trade Centre, No.18, Jalan Persiaran Barat, 46050 Petaling Jaya, Selangor Darul Ehsan, Malaysia
Tel: <603> 7955-9390, Fax: <603> 7955-9510



E8/E8a 仿真器
用户手册附加文档
连接 H8/38099F 和 H8/38799F 时的注意事项



瑞萨电子株式会社

RCJ10J0072-0100