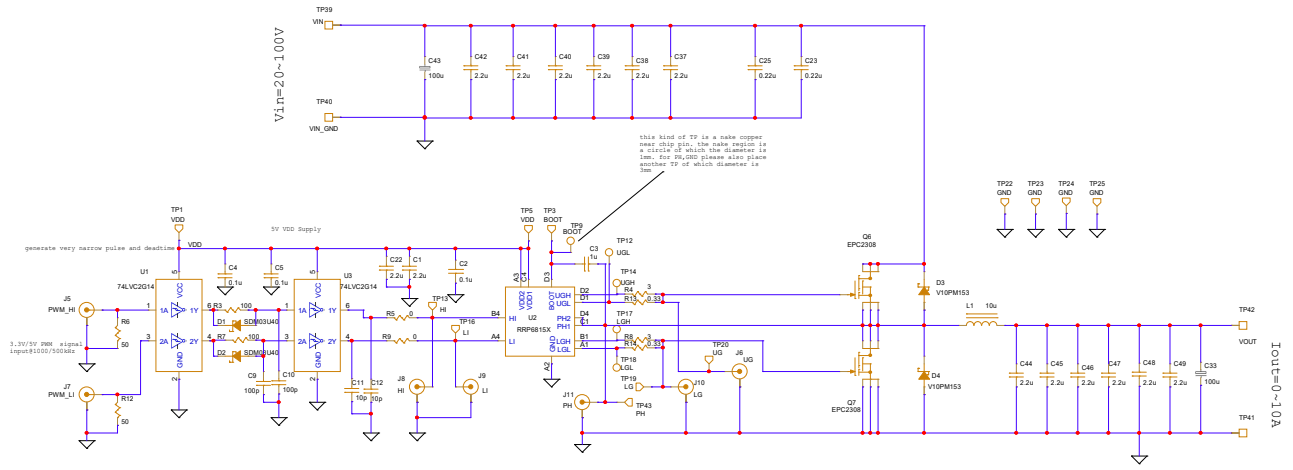


# RRP6815x In-System Test Board\Buck schematic



|      |                              |  |              |
|------|------------------------------|--|--------------|
| File | RRP6815XDE000000BC           |  | Delity.Deng  |
| Rev  | Document Number              |  | Rev          |
| C    | 0000                         |  | 00           |
| Date | Wednesday, December 10, 2008 |  | Sheet 1 of 1 |