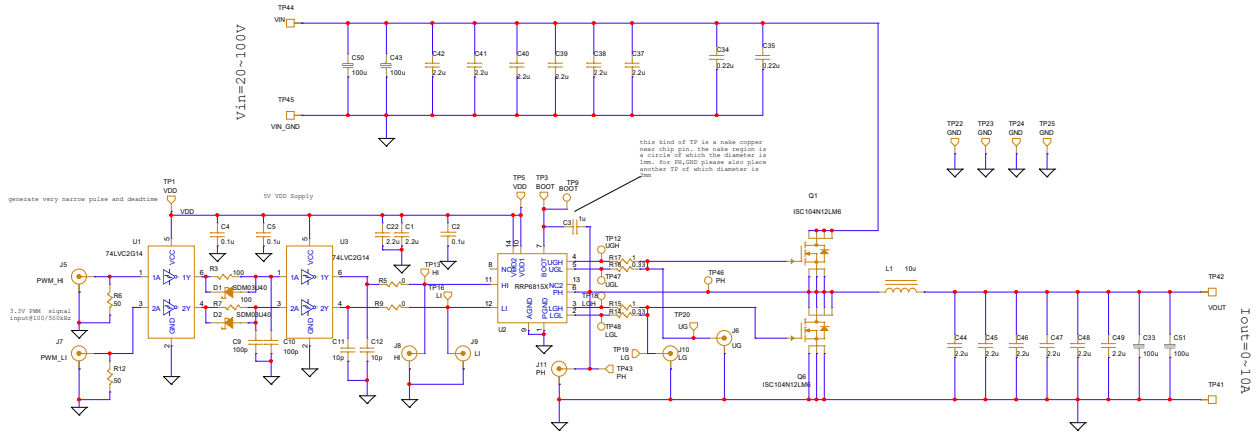


RRP6815x In-System Test Board\Buck schematic



File	RRP6815XDE0010BC	Delity.Deng
Rev	Document Number	Rev
C	0000	00
Date	Wednesday, December 10, 2008	Sheet 1 of 1