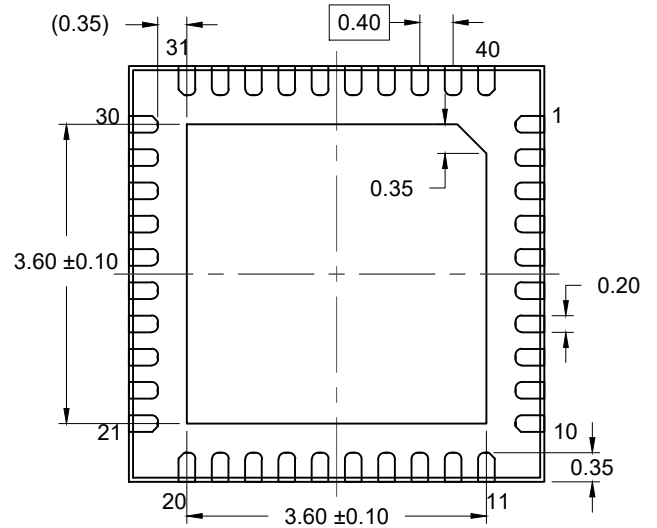
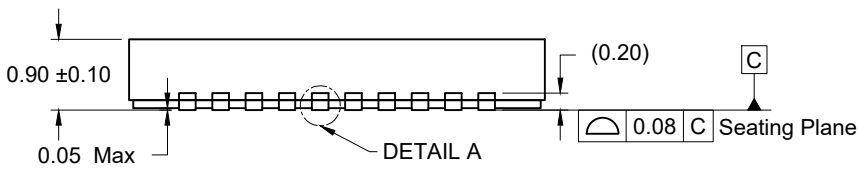


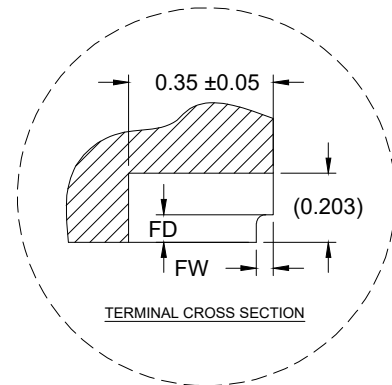
TOP VIEW



BOTTOM VIEW



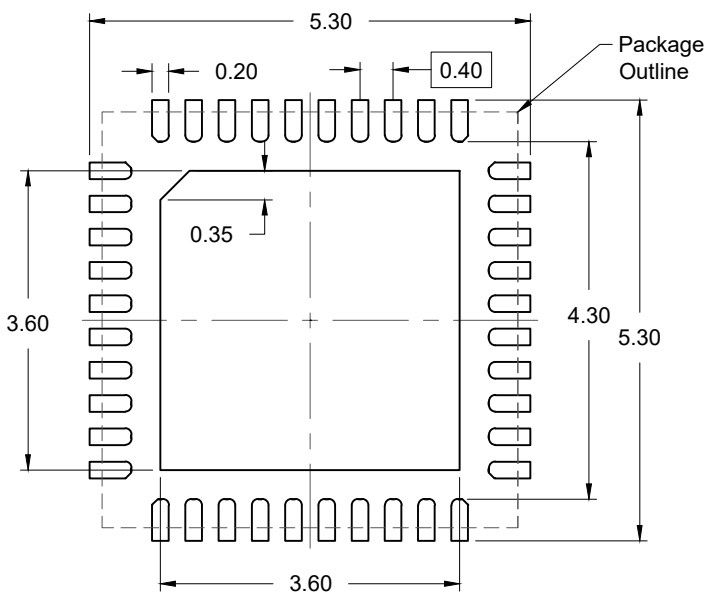
SIDE VIEW



DETAIL A

Table 1: Dimensions of wettable flank (DETAIL A)

| Symbol | Unit (mm) | |
|--------|-----------|-------|
| | MIN | MAX |
| FD | 0.100 | - |
| FW | 0.010 | 0.075 |



RECOMMENDED LAND PATTERN
(PCB Top View, NSMD Design)

NOTES:

1. JEDEC compatible.
2. All dimensions are in mm and angles are in degrees.
3. Use ± 0.05 mm for the non-toleranced dimensions.
4. Numbers in () are for references only.
5. Wettable flank.