

# Quick Start Guide

RL78/G16  
Fast Prototyping Board

## (1) Checking out the video guide

A video is available to help you get started with Fast Prototyping Board for RL78 Family.

The QR code for the video is at right. →

You can also check the board's full specifications on the Renesas Web site.

URL: [https://www.renesas.com/RL78/G16\\_fpb](https://www.renesas.com/RL78/G16_fpb)



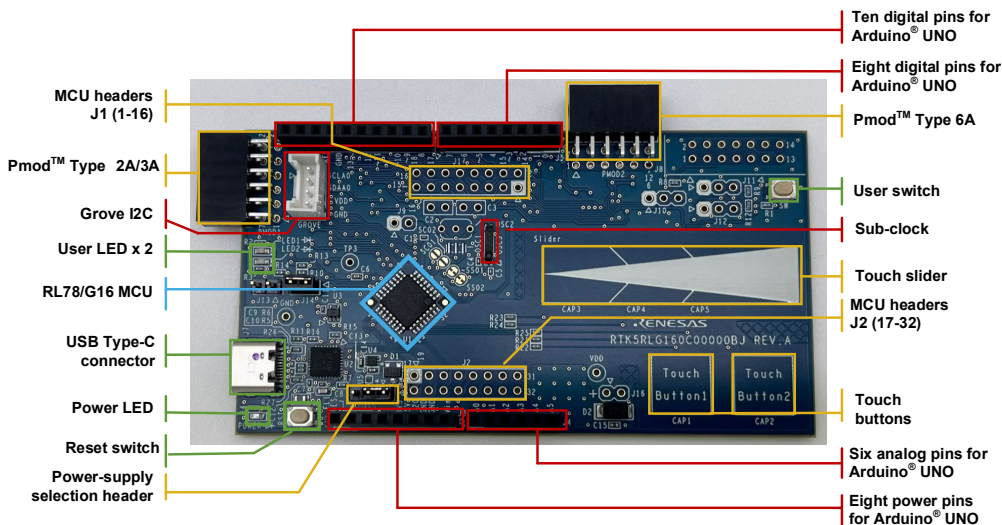
## (2) Package components

RL78/G16 Fast Prototyping Board (RTK5RLG160C00000BJ) and Quick Start Guide (this document)

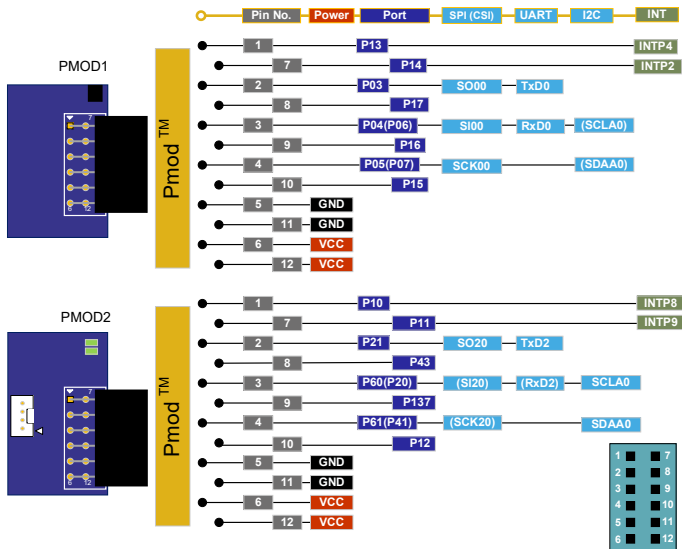
## (3) Table of board specifications

| Item                       | Specification                                                                                              |
|----------------------------|------------------------------------------------------------------------------------------------------------|
| Evaluation MCU<br>RL78/G16 | Part No.: R5F121BCAFP; package: 32-pin LQFP<br>On-chip memory: 32-KB ROM, 2-KB RAM, 1-KB data flash memory |
| Push switches              | Reset switch x 1, user switch x 1                                                                          |
| LEDs                       | Power indicator: green x 1, user: green x 2                                                                |
| Capacitive touch           | Buttons x 2, slider x 1                                                                                    |
| Pmod™ connectors           | Connectors: Angle type, 12 pins x 2                                                                        |
| Arduino® connectors        | Connectors: 6 pins x 1, 8 pins x 2, 10 pins x 1<br>The interfaces are compatible with Arduino® UNO R3.     |
| Grove connector            | Interface for Grove modules I2C: x 1                                                                       |

## (4) Parts layout

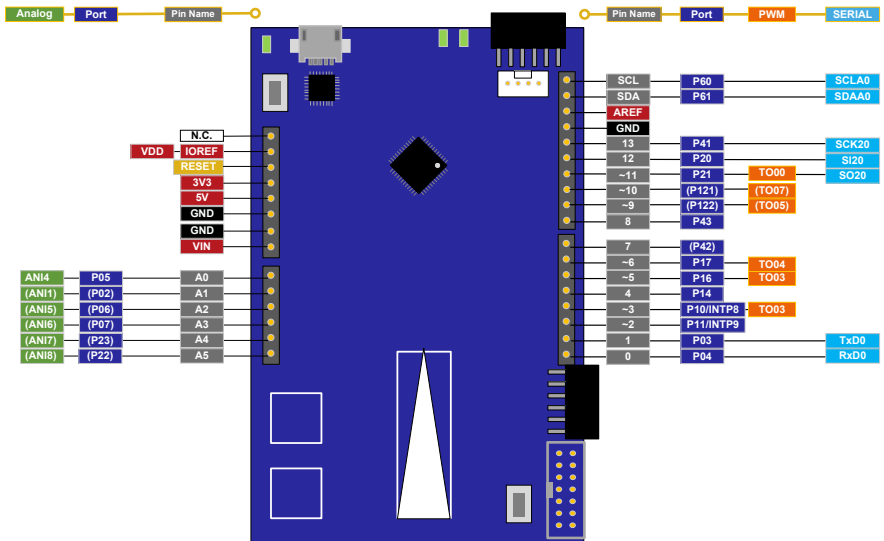


## (5) Pmod™ interface



Signals enclosed in “( )” requires switching the wiring by using the short-circuit pads.

## (6) Arduino® interface



Signals enclosed in “( )” requires switching the wiring by using the short-circuit pads.

## (7) Grove interface

|       |     |       |
|-------|-----|-------|
| Pin 1 | P60 | SCLA0 |
| Pin 2 | P61 | SDAA0 |
| Pin 3 | -   | VDD   |
| Pin 4 | -   | VSS   |