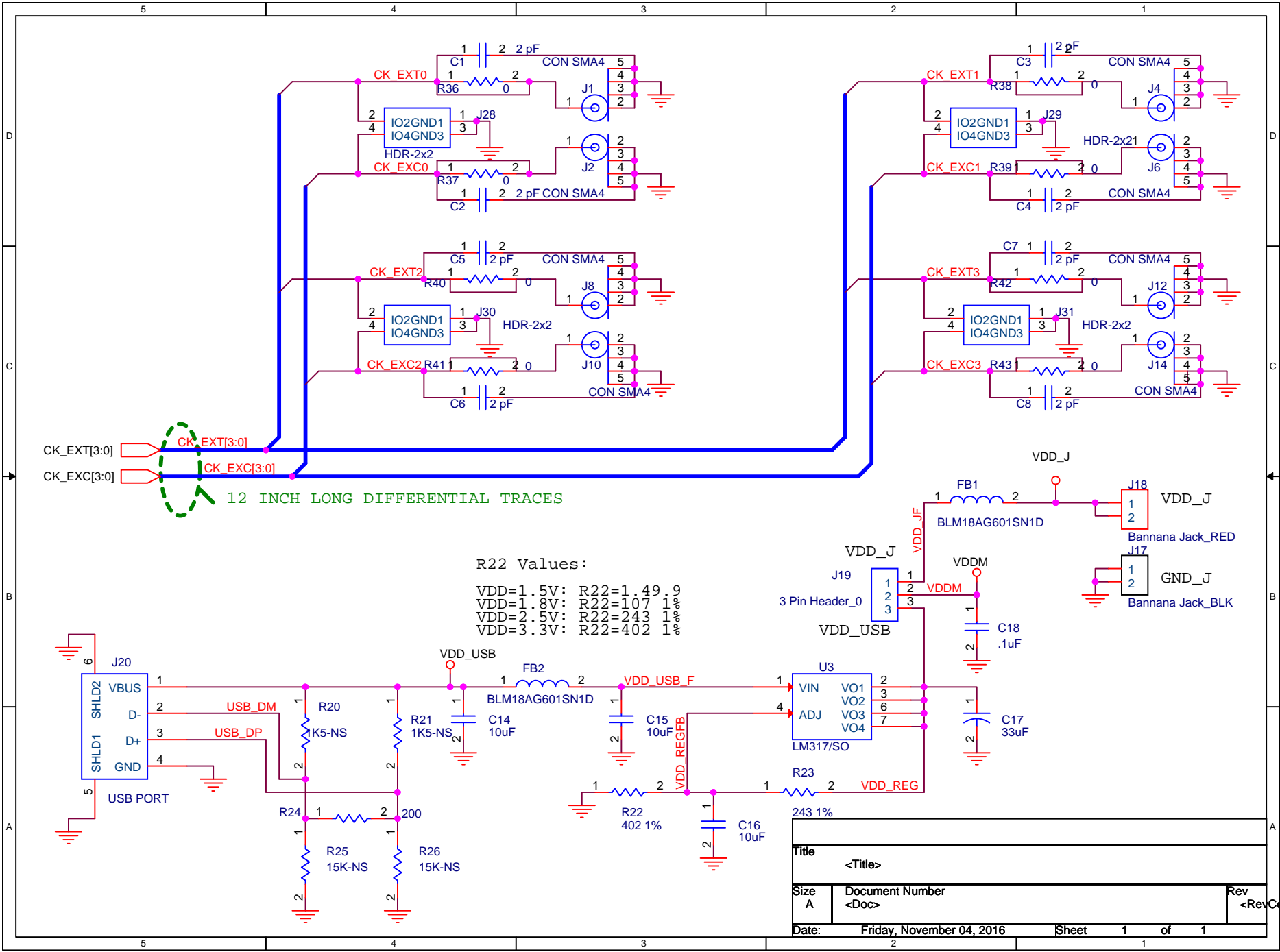


## Integrated Device Technology

San Jose, CA

Size A	Document Number 9DML0441_SCH	Rev B.2
Date: Monday, September 25, 2017	Sheet 1 of 1	



Title		
<Title>		
Size	Document Number	Rev
A	<Doc>	<RevCode>
Date:	Friday, November 04, 2016	Sheet 1 of 1