

SCHEMATIC TEMPLATE REV.xdxd_V7 (01-06-2017)		SIZE <b>A3L</b>	TITLE: DA9070 / 73 demo board VARIANT: Master Sch no Var defined	
DESIGNED BY: <b>Allan Fisher</b> <b>Harald Bernrader-Hauns</b>	SAVED DATE:	<b>320-30-A1</b>		
REVIEWED BY: <b>AF, GC</b> <b>SO, HT, NU, KY, KH</b>	REVIEWED DATE: <b>16/02/2022</b>	DRAWING No:	SHEET NAME: <b>Power</b>	PAGE: <b>2</b> of <b>3</b>

A

B

C

D

E

F

1

1

2

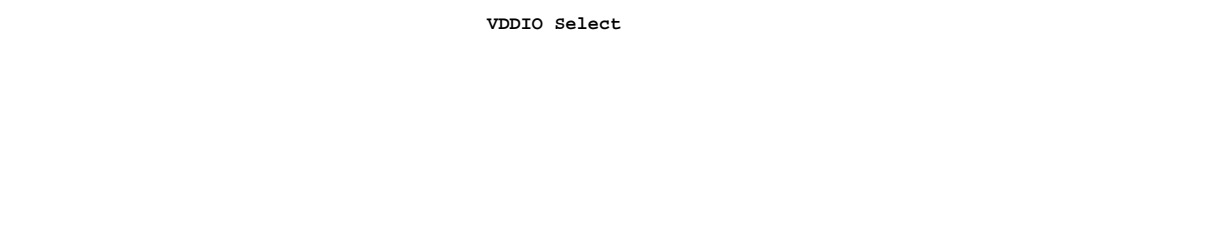
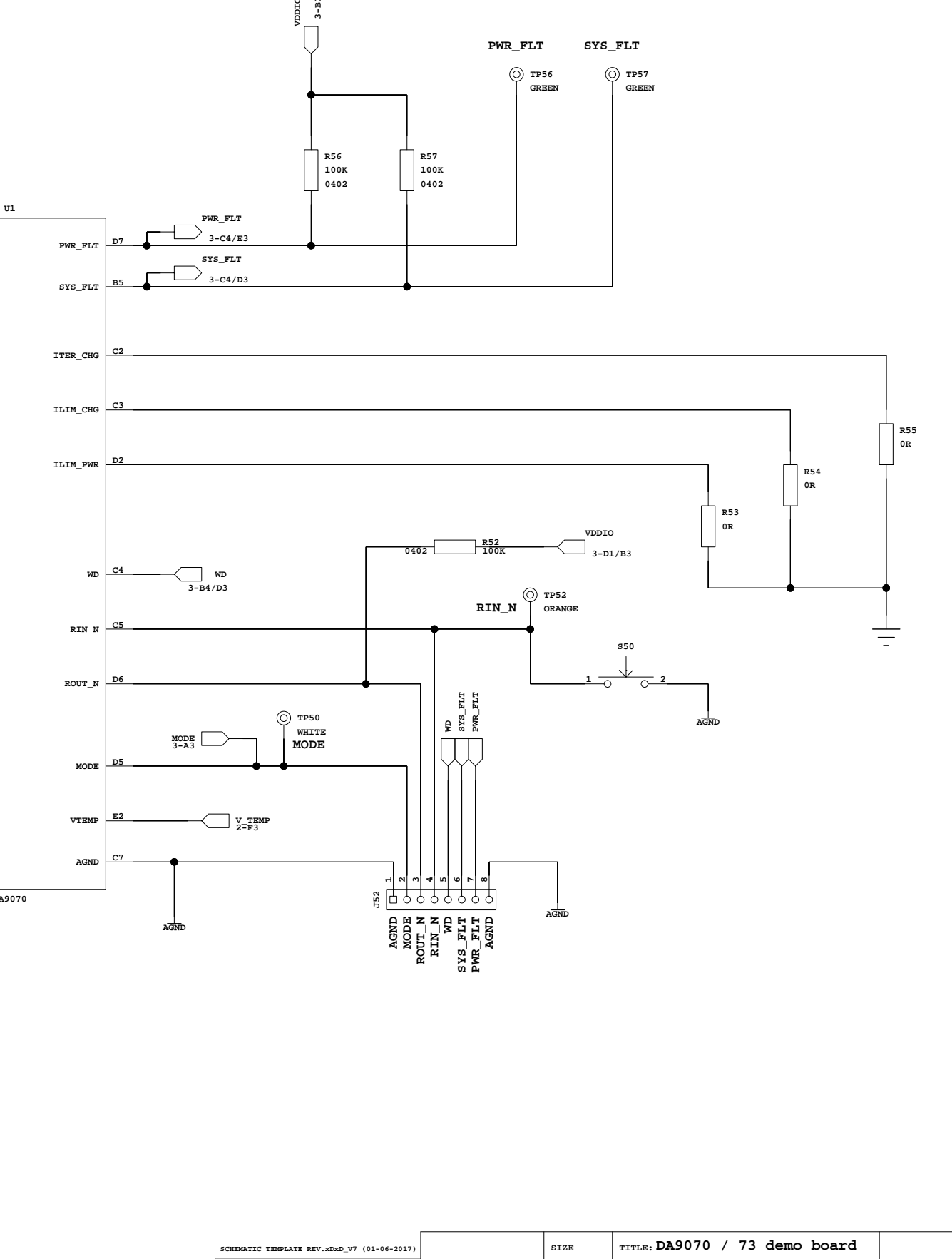
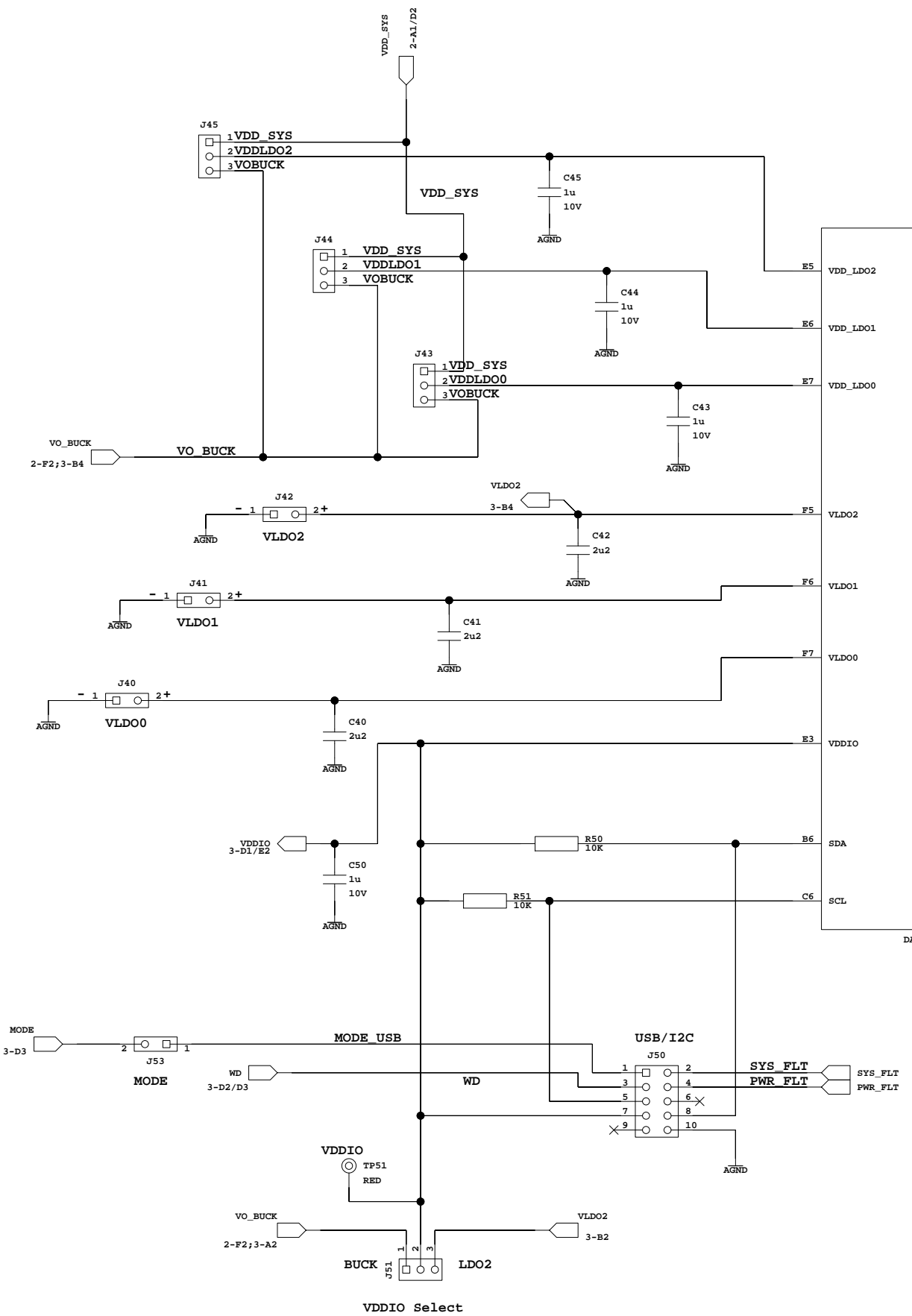
2

3

3

4

4



SCHEMATIC TEMPLATE REV.XDXD\_V7 (01-06-2017)

DESIGNED BY:  
Allan Fisher  
Harald Bernrader-Hauns

REVIEWED BY:  
AF, GC  
SO, HT, NU, KY, KH

SAVED DATE:

REVIEWED DATE:  
16/02/2022

SIZE  
**A3L**

TITLE: DA9070 / 73 demo board  
VARIANT: Master Sch no Var defined  
**320-30-A1**

DRAWING No:  
SHEET NAME:  
LDOS

**RENESAS**

PAGE: 3 of 3

A

B

C

D

E

F