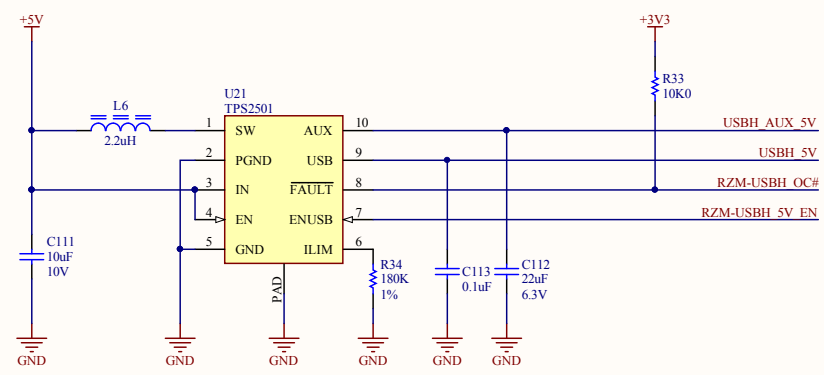
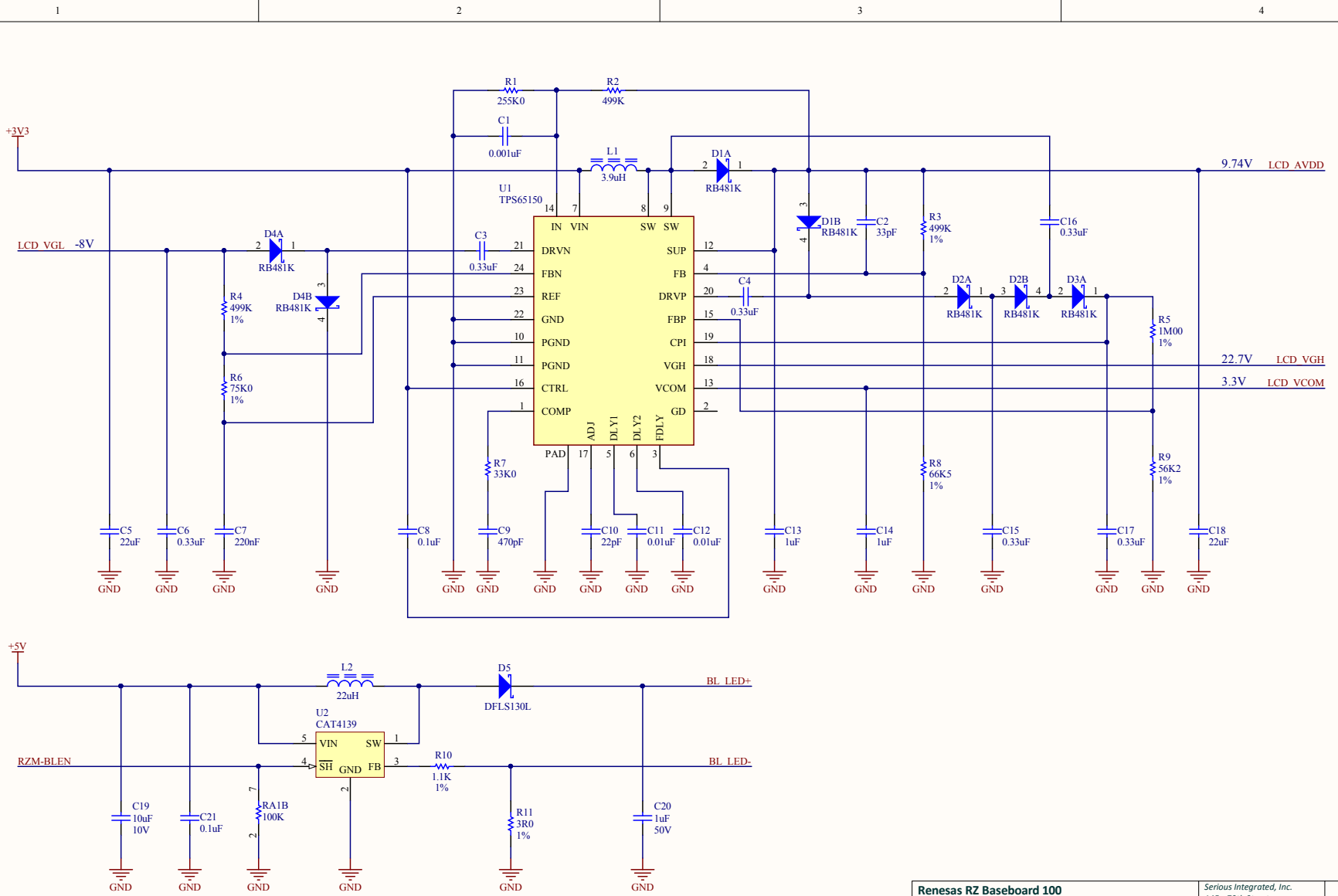
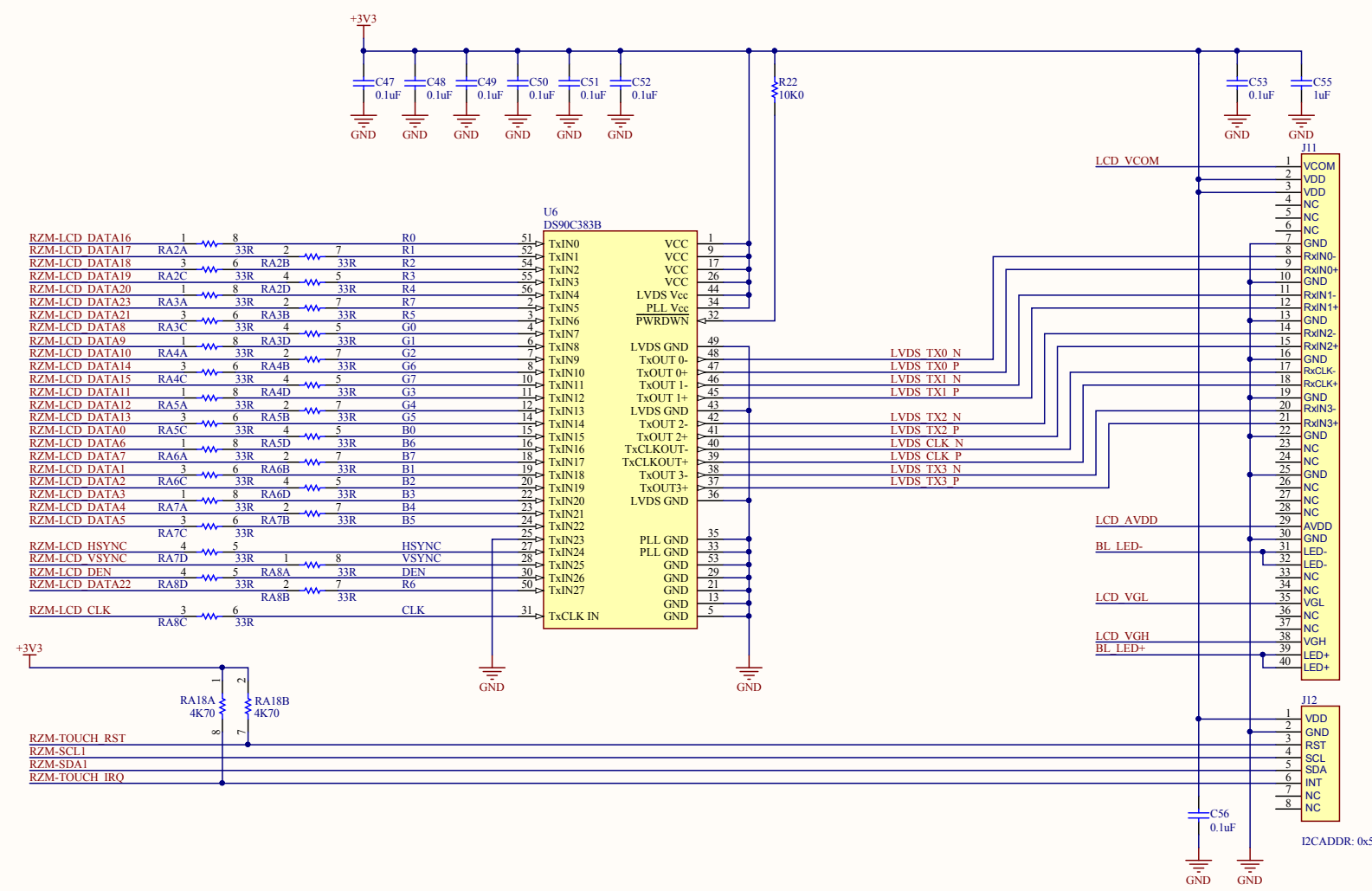


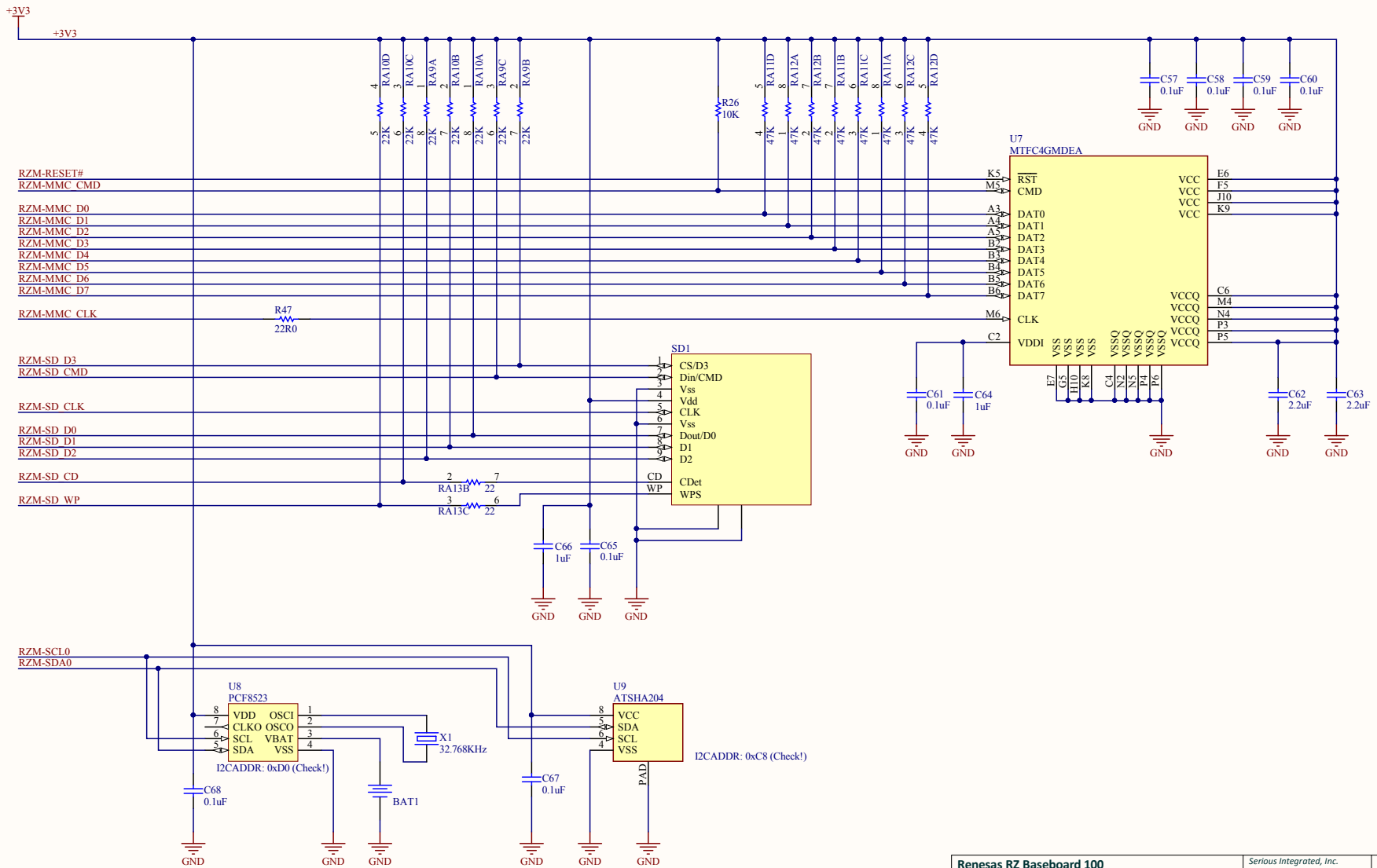
Program for Mode 0  
 Vout1 = 1.8000V  
 Vout2 = 3.3000V  
 PORB = PG1 & PG2





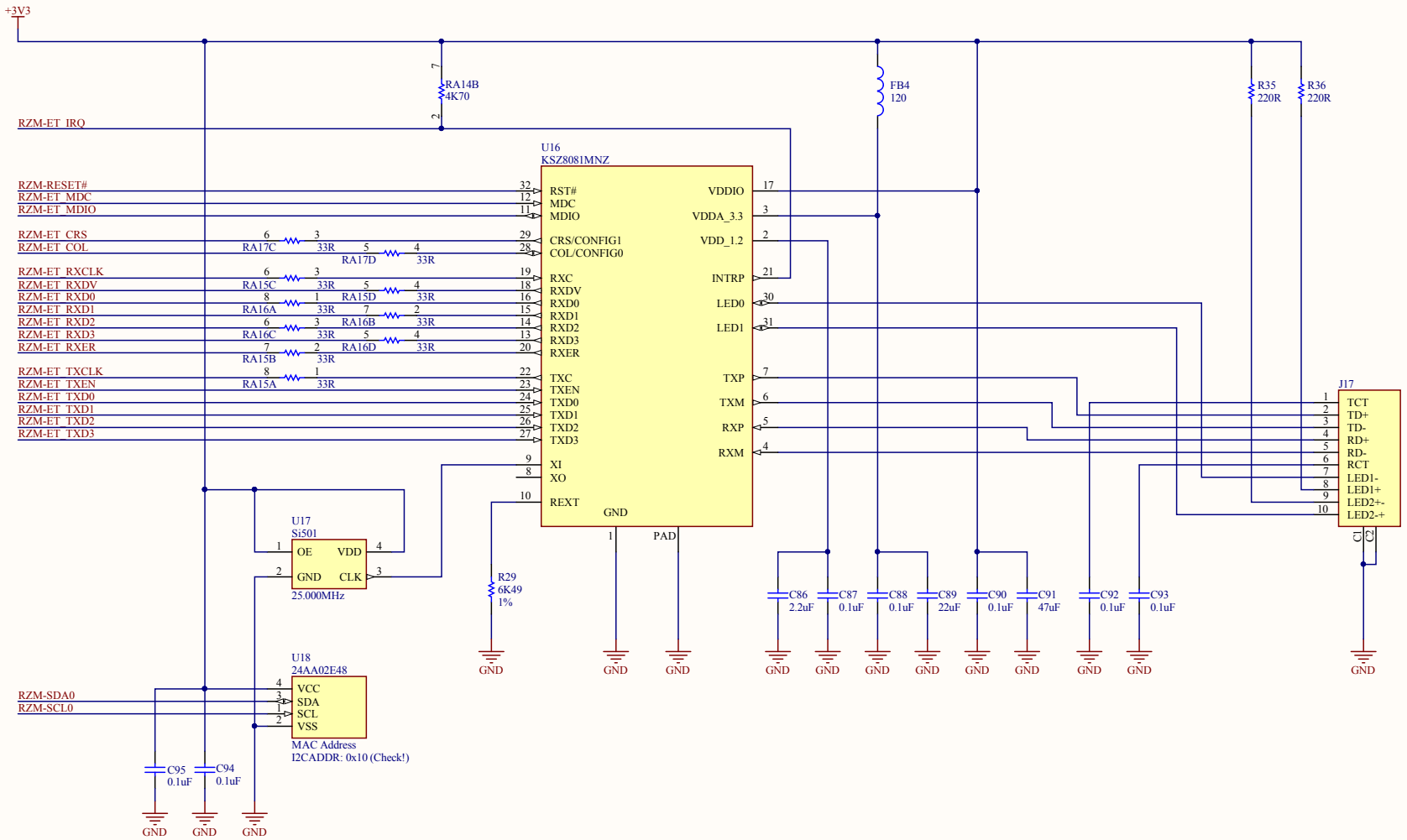
<b>Renesas RZ Baseboard 100</b>		Serious Integrated, Inc.		
TFT LCD Power Supplies, Backlight Booster		145 s 79th Street		
Author: Jorge Amodio	Revision: 02	Chandler, AZ 85226		
Date: 4/15/2015	Time: 4:01:09 PM	USA		
File: RZB100_02-LCD_Power.SchDoc	Sheet 2 of 12	www.seriousintegrated.com		





<b>Renesas RZ Baseboard 100</b>		Serious Integrated, Inc. 145 s 79th Street Chandler, AZ 85226 USA www.seriousintegrated.com	
eMMC Memory, SD Card, EEPROM, RTCC, Switches			
Author: Jorge Amodio	Revision: 02		
Date: 4/15/2015	Time: 4:01:10 PM	Sheet 4 of 12	
File: r28100_02-MMC-SD-RTC.SchDoc			





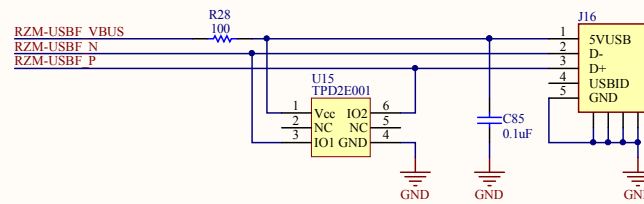
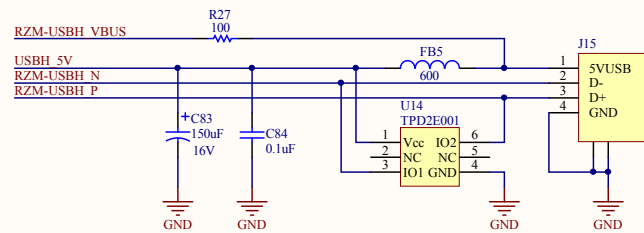
**Renesas RZ Baseboard 100**  
10/100 BaseT Ethernet Interface

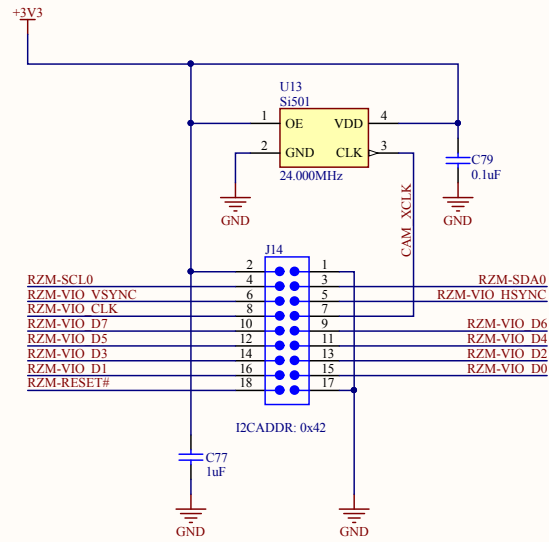
Author: Jorge Amodio  
Date: 4/15/2015 Time: 4:01:10 PM  
File: rz8100\_02-Ethernet.SchDoc

Revision: 02  
Sheet 5 of 12

Serious Integrated, Inc.  
145 s 79th Street  
Chandler, AZ 85226  
USA  
www.seriousintegrated.com







**Renesas RZ Baseboard 100**  
Camera/Image Capture

Author: Jorge Amodio

Date: 4/15/2015 Time: 4:01:10 PM

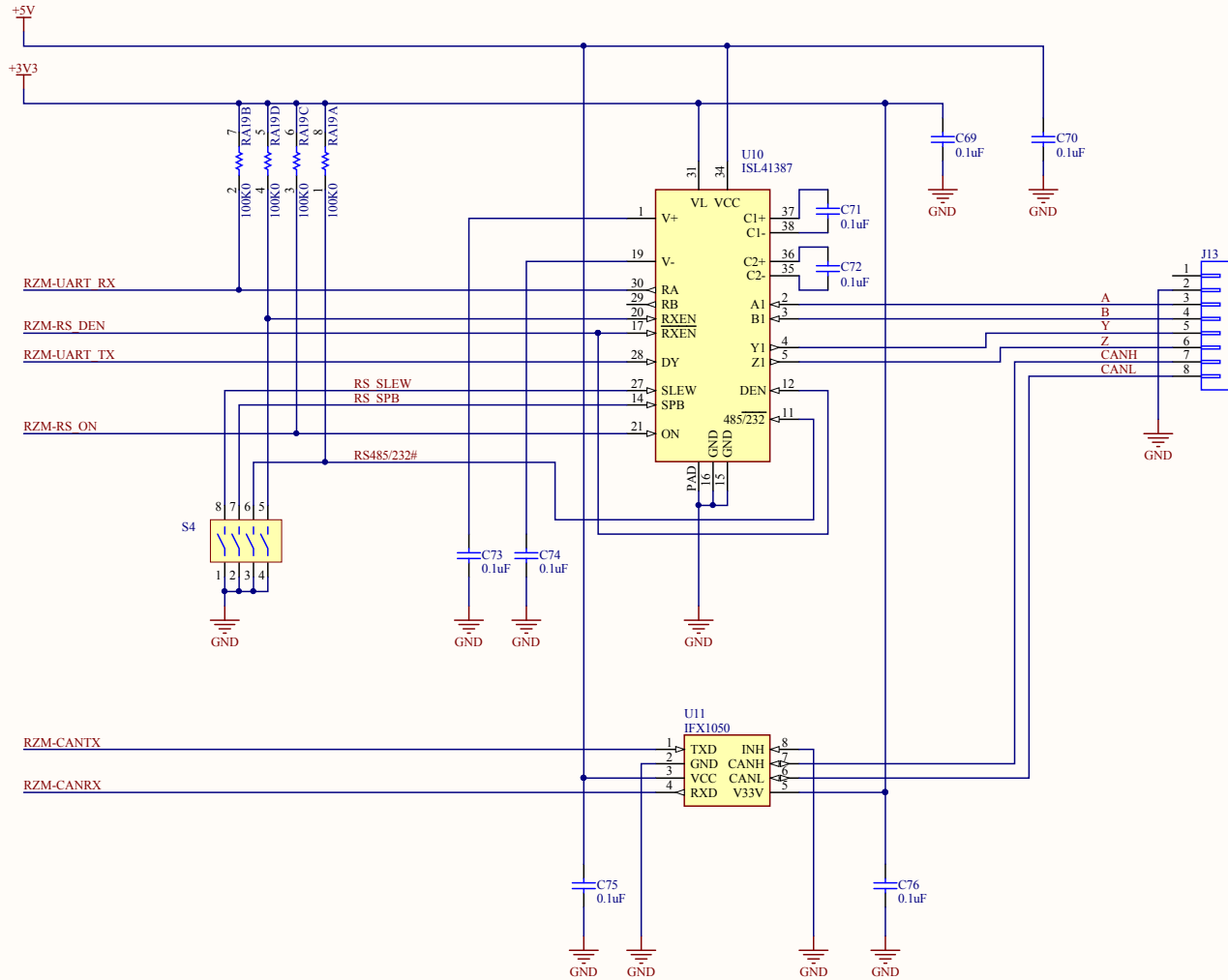
File: RZB100\_02-Camera\_SchDoc

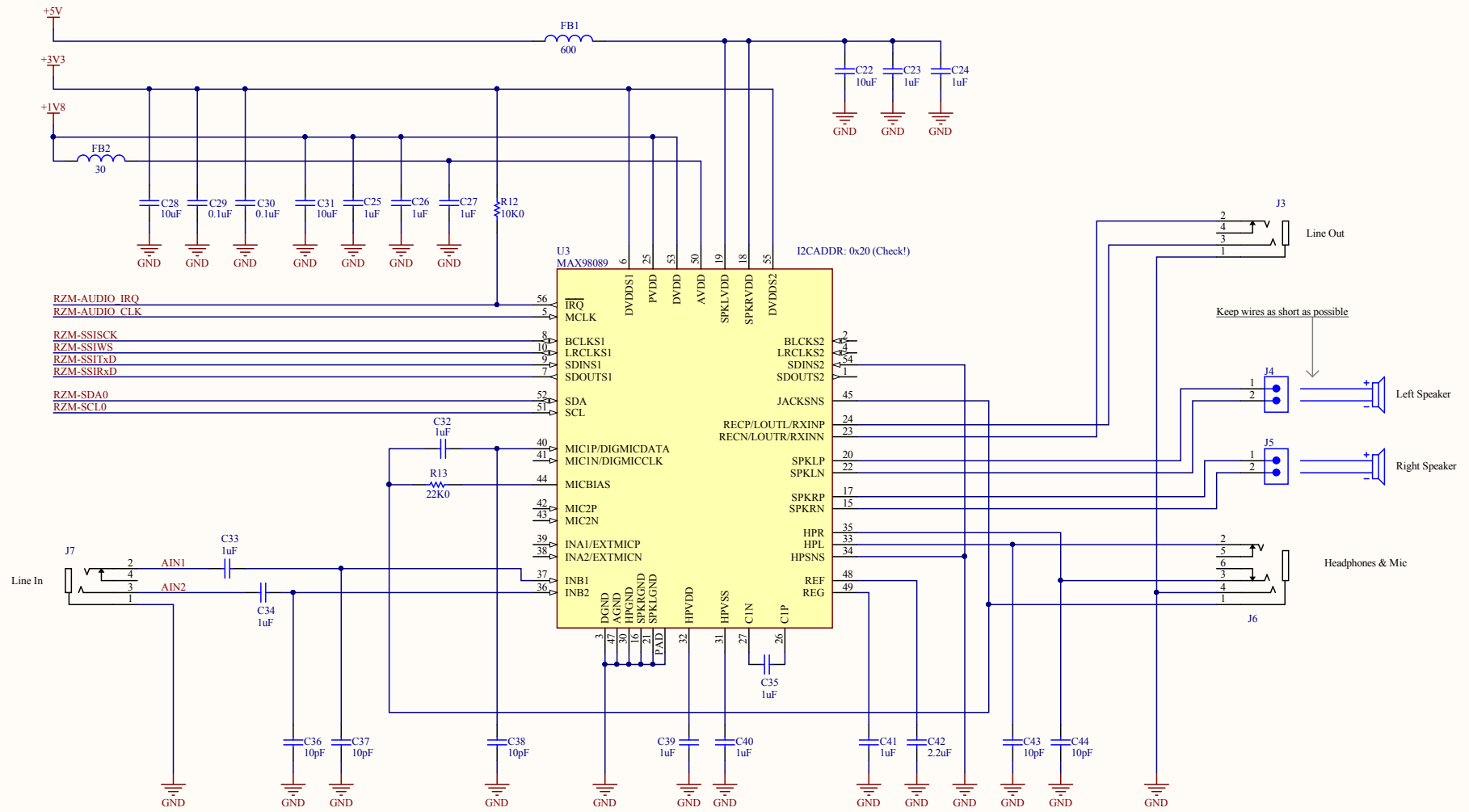
Revision: 02

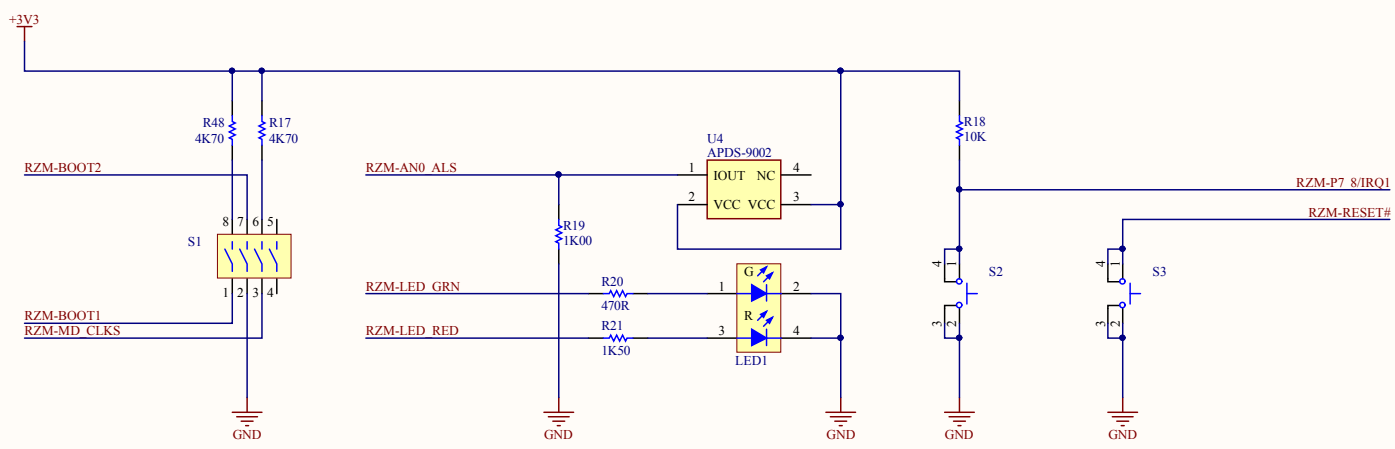
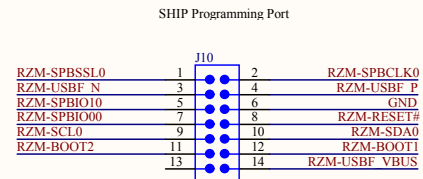
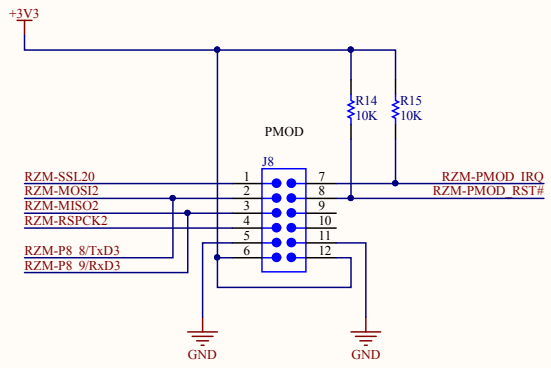
Sheet 7 of 12

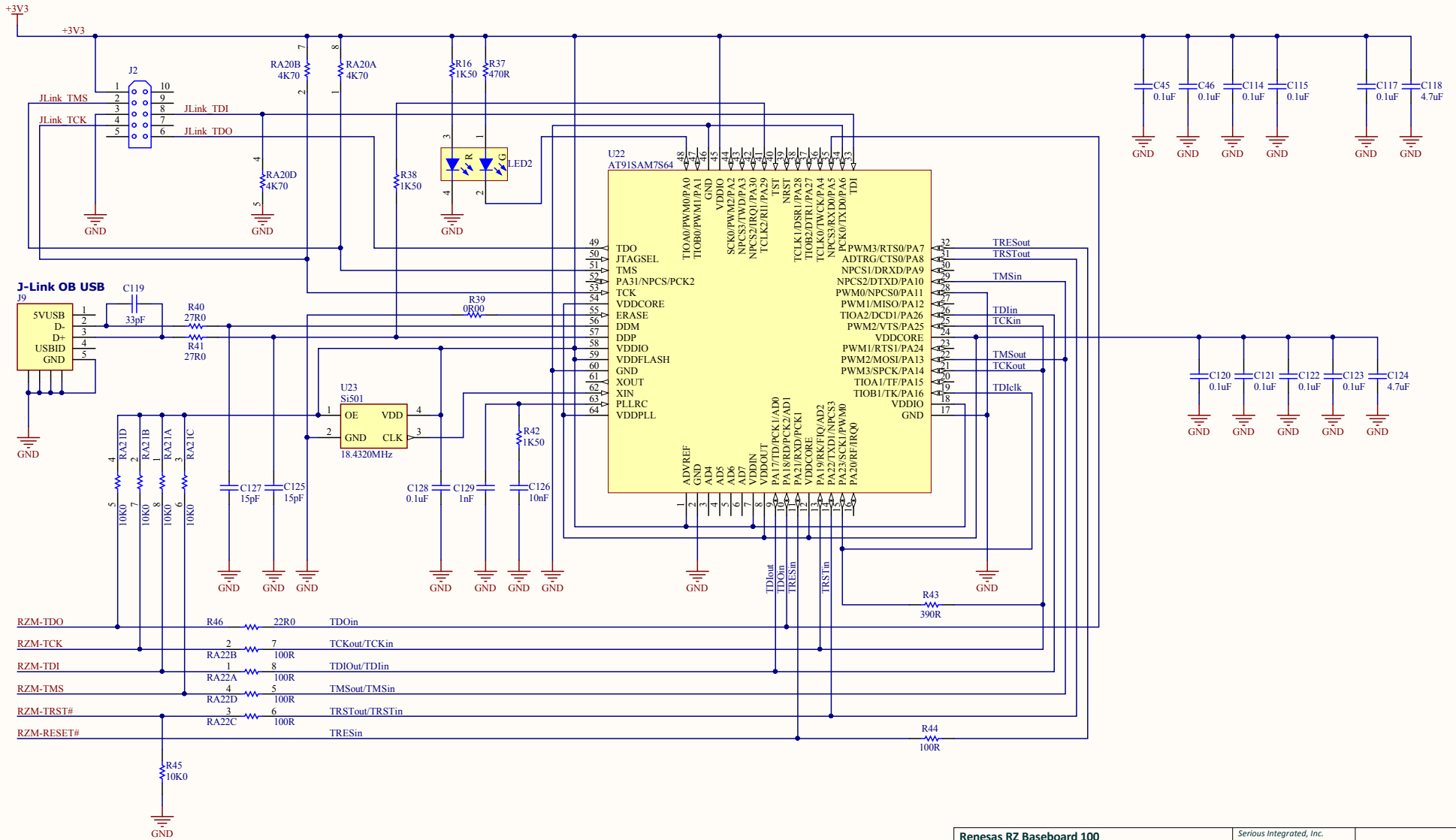
Serious Integrated, Inc.  
145 s 79th Street  
Chandler, AZ 85226  
USA  
www.seriousintegrated.com

**Serious™**









**Renesas RZ Baseboard 100**  
 JTAG, Segger J-Link OB

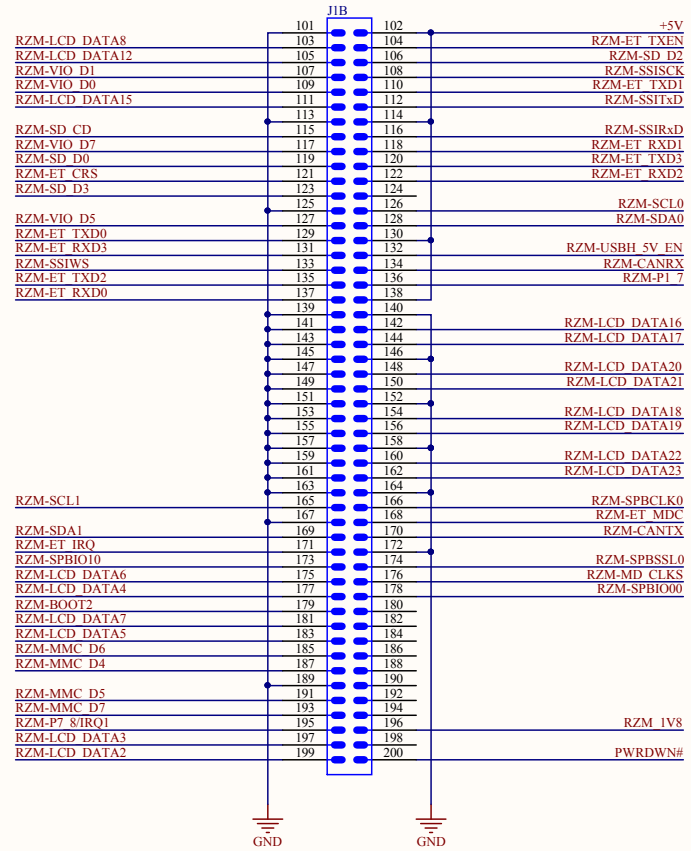
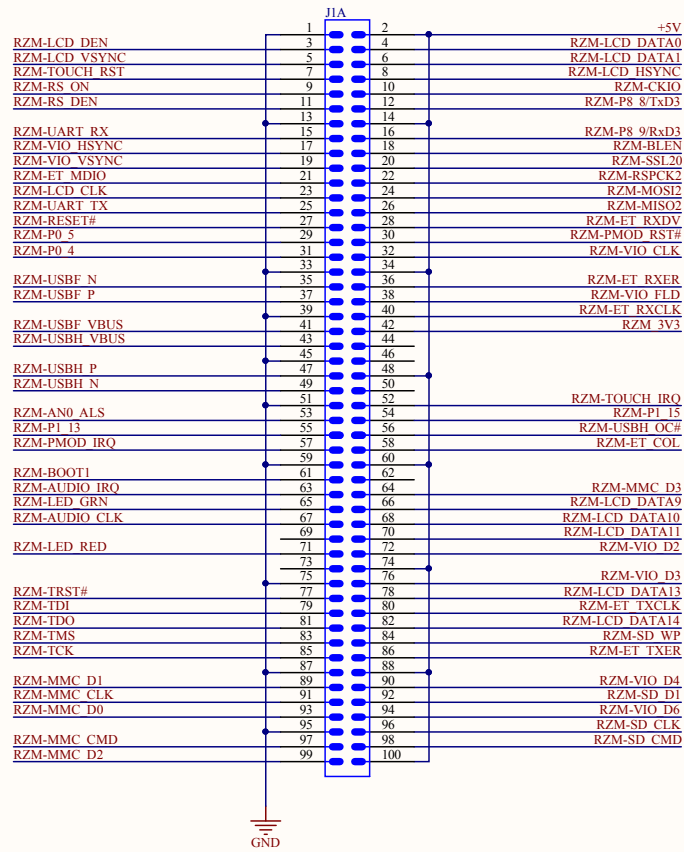
Author: Jorge Amodio  
 Date: 4/15/2015 Time: 4:01:10 PM  
 File: RZB100\_02-JTAG-JLink-SchDoc

Revision: 02  
 Sheet 11 of 12

Serious Integrated, Inc.  
 145 s 79th Street  
 Chandler, AZ 85226  
 USA  
 www.seriousintegrated.com



## Board to Board connections via DDR2 SODIMM Socket



○ S01 ○ S02 ○ S03 ○ S04 ○ S05 ○ S06

<b>Renesas RZ Baseboard 100</b>		Serious Integrated, Inc.		
RZM100-RZB100 Interconnect		145 s 79th Street Chandler, AZ 85226		
Author: Jorge Amodio	Revision: 02	USA		www.seriousintegrated.com
Date: 4/15/2015	Time: 4:01:10 PM	Sheet 12of 12		
File: RZB100_02-Connectors.SchDoc				