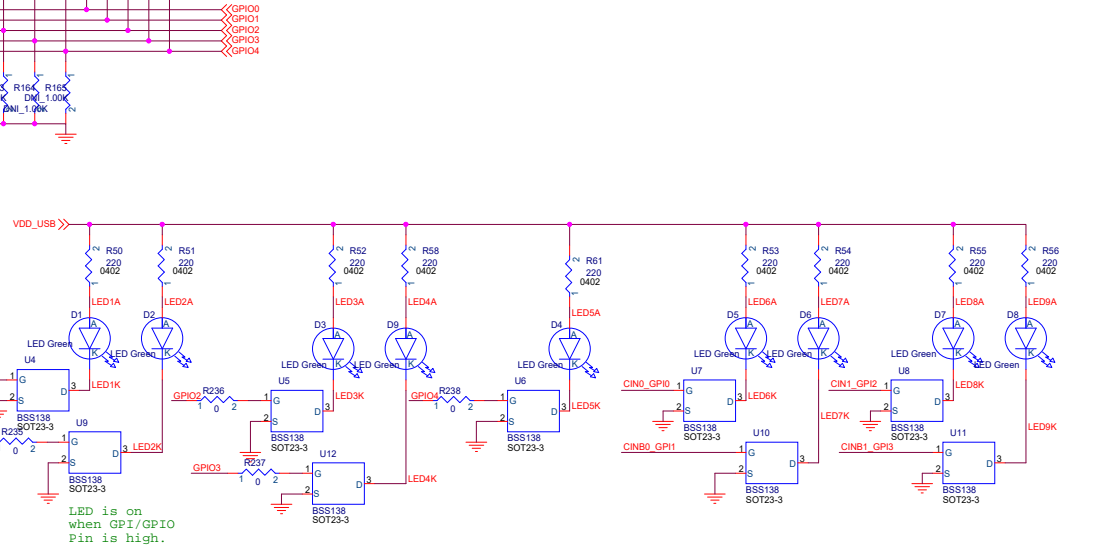
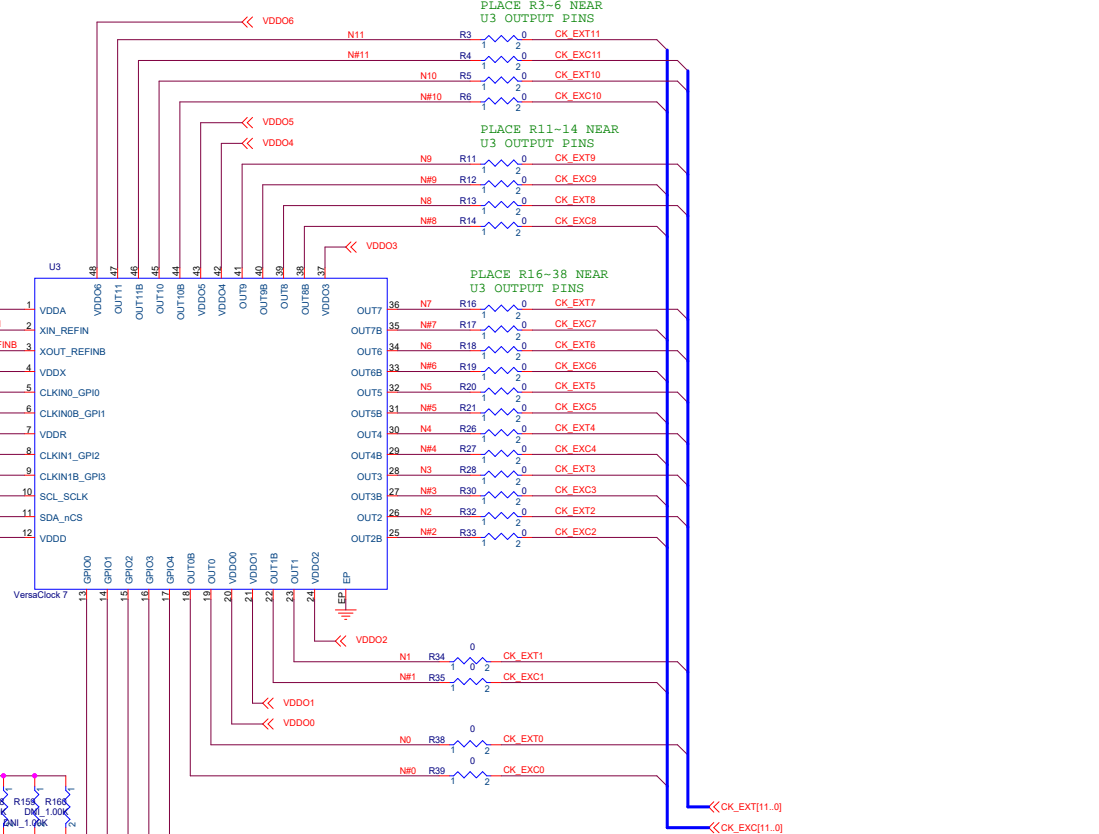
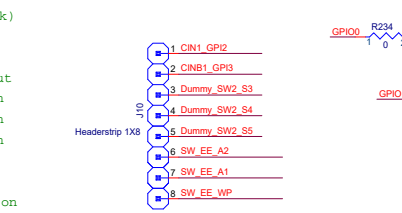
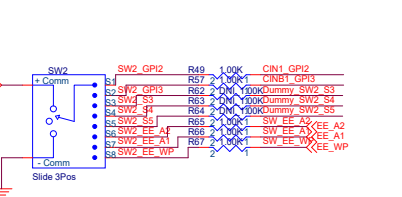
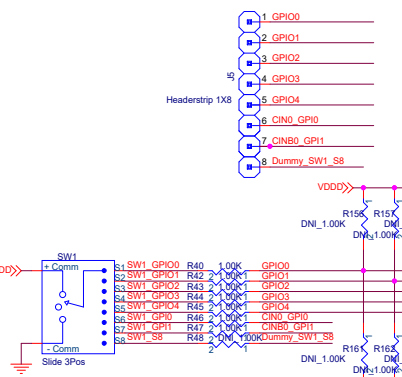
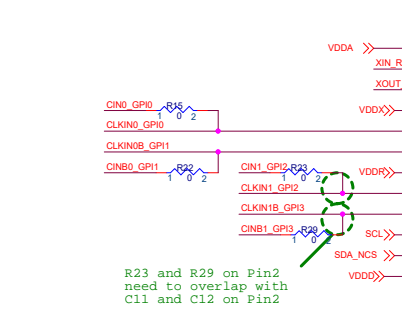
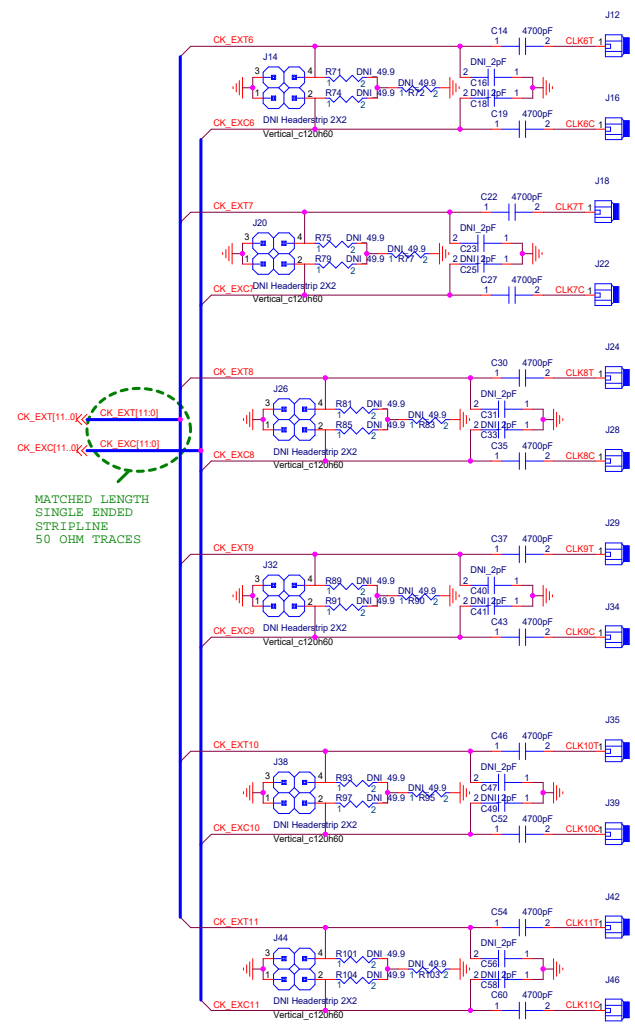
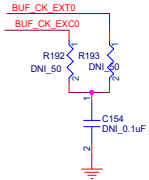
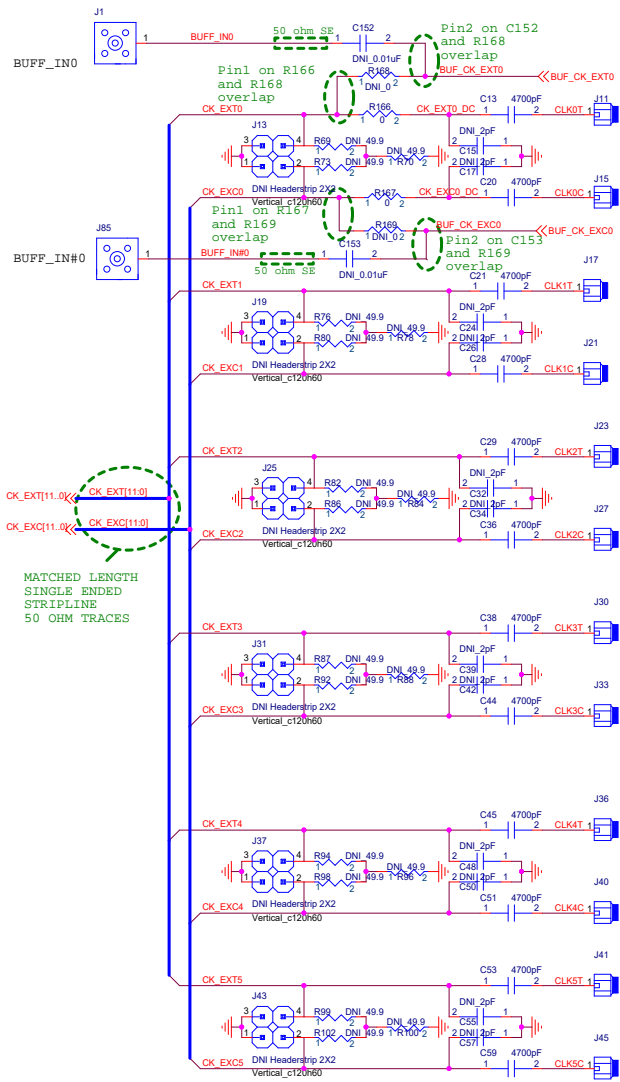


(OC) RC26008/RC26012 (SPI Mode) RC21008/RC21012 (Auto-Clock)

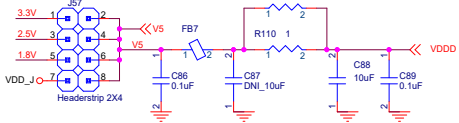
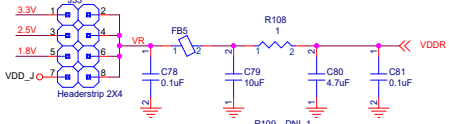
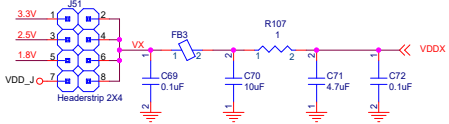
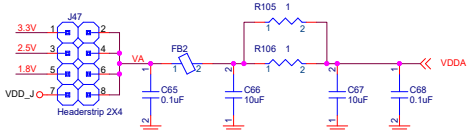
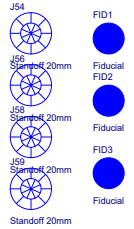
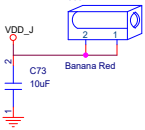
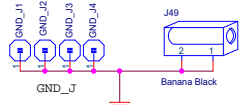
GPI00 / SOD_ACTIVE# / SDIO (3-Wire) / INT_output
 GPI01 / SPT_RST# / SEL#0 PIN / Fault_output
 GPI02 / HRDRST# / SEL#1 PIN / OE function
 GPI03 / RSTOUT# / OE function
 GPI04 / RESET_IN# / OE function
 GPIO / SPT+ / 2nd Xtal
 GPI1 / SPT- / 2nd Xtal
 GPI2 (GPIO5) / OC_Active# / SEL1 function
 GPI3 (GPIO6) / SOD_EN# / SEL0 function



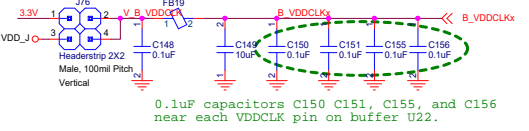
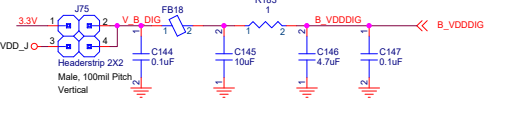
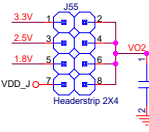
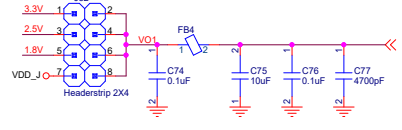
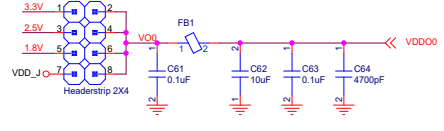
Title		
VC7 + QBuffer Evaluation Board		
Size	Document Number	Rev
C	VC7+QBuffer_EVB_REV-A	A
Date:	Friday, April 02, 2021	Sheet 1 of 5



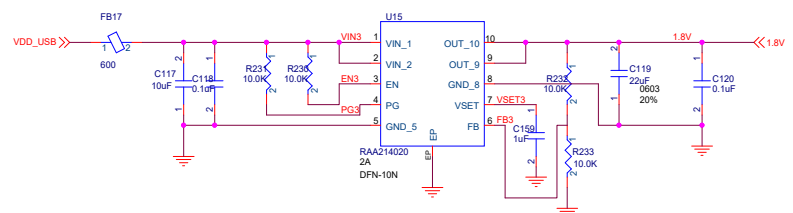
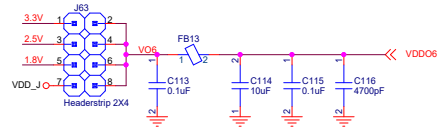
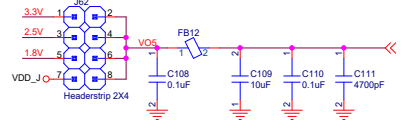
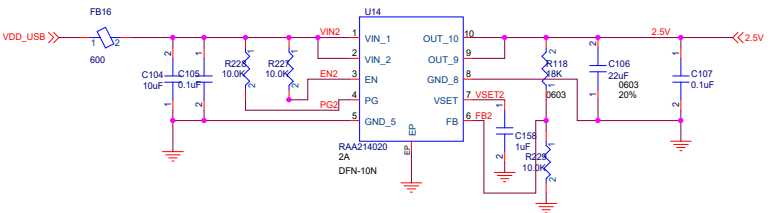
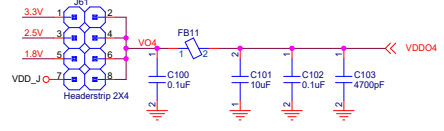
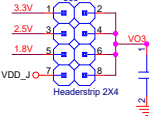
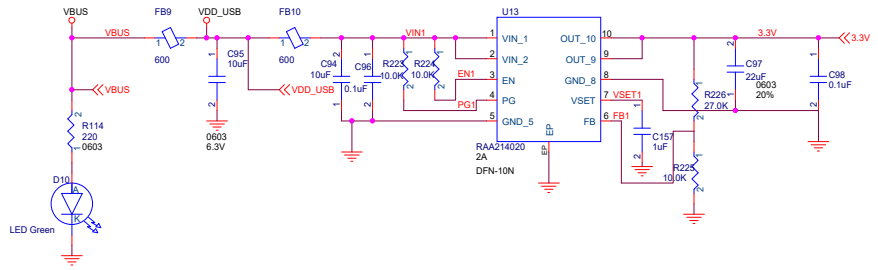
Title		
VC7 + QBuffer Evaluation Board		
Size	Document Number	Rev
C	VC7+QBuffer_EVB_REV-A	A
Date:	Friday, April 02, 2021	Sheet 2 of 5



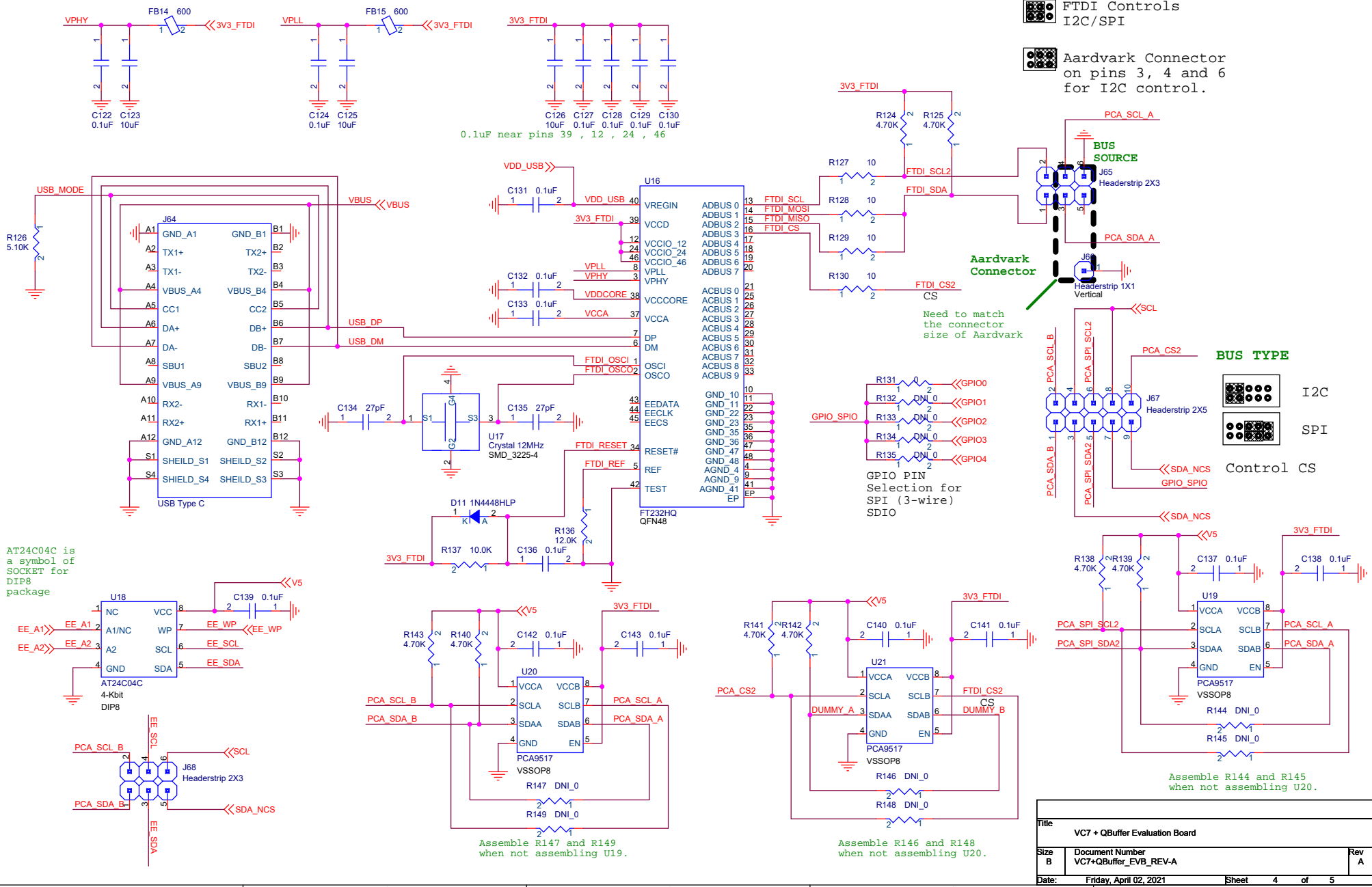
For OTP, Stuff on 3.3V / 2.5V only



0.1uF capacitors C150, C151, C155, and C156 near each VDDCLK pin on buffer U22.



Title			VC7 + QBuffer Evaluation Board
Size	Document Number	Rev	
C	VC7+QBuffer_EVB_REV-A	A	
Date:	Friday, April 02, 2021	Sheet	3 of 5

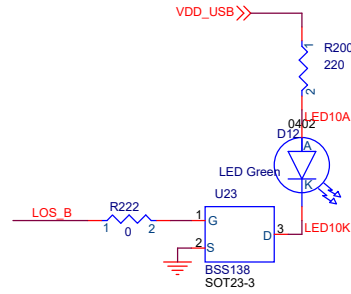
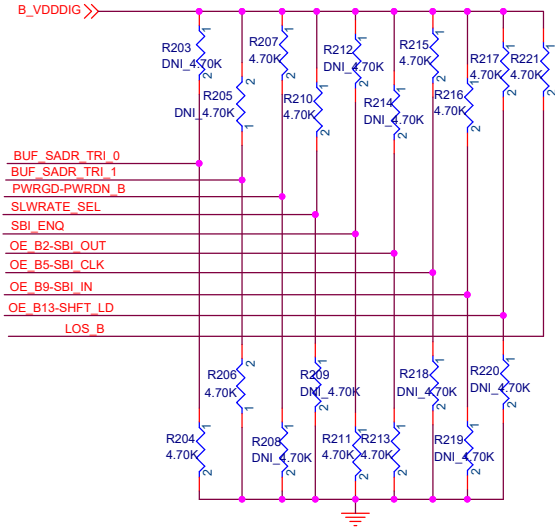
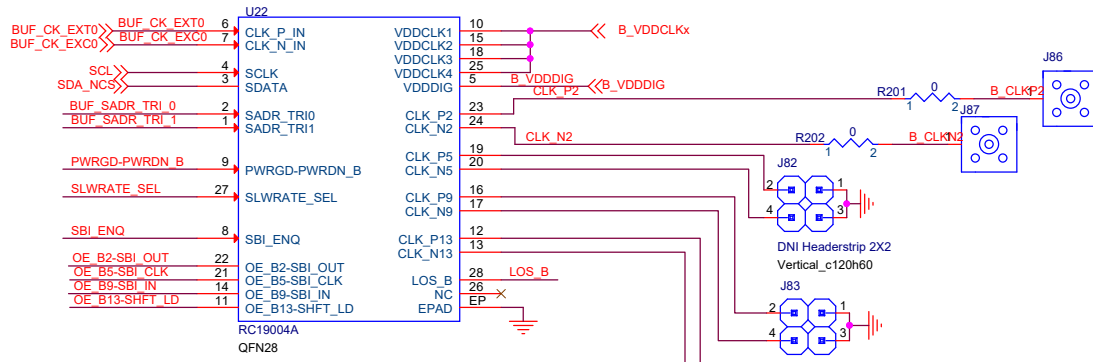


FTDI Controls
I2C/SPI

Aardvark Connector
on pins 3, 4 and 6
for I2C control.

BUS TYPE
I2C
SPI
Control CS

Title		
VC7 + QBuffer Evaluation Board		
Size B	Document Number VC7+QBuffer_EVB_REV-A	Rev A
Date:	Friday, April 02, 2021	Sheet 4 of 5



Title		
VC7 + QBuffer Evaluation Board		
Size	Document Number	Rev
B	VC7+QBuffer_EVB_REV-A	A
Date:	Friday, April 02, 2021	Sheet 5 of 5