

RG8G31420

4 × 128Gbaud Linear TIA

Description

The RG8G31420 is a 128Gbaud linear TIA chip that integrates four lanes of TIAs for XI, XQ, YI, and YQ channels, as well as digital interface circuitry for DC controls on a single die for 800G and beyond coherent applications. The TIA electrical characteristics, functions, and physical dimensions are designed for optical sub-assembly such as u-ICR and IC-TROSA used for small-form factor integrated optical module.

Applications

- 800G and beyond coherent systems with 128Gbaud higher-order QAM modulation format
- Optical sub assembly of u-ICR and IC-TROSA for small form factor optical modules

Features

- Quad-channel 128Gbaud linear TIA with integrated SPI or analog interface
- Differential gain: 50Ω to 2,300Ω typical
- > 30dB dynamic range
- > 75GHz adjustable 3dB-bandwidth
- Automatic and manual gain control options, Output Voltage Control, Peak Detection, RSSI and Input Current Monitor, and Shutdown functionalities
- Low THD, low crosstalk, and low power
- Output amplitude clipping to prevent from generating excess output has been implemented and the clipping level can be set through SPI

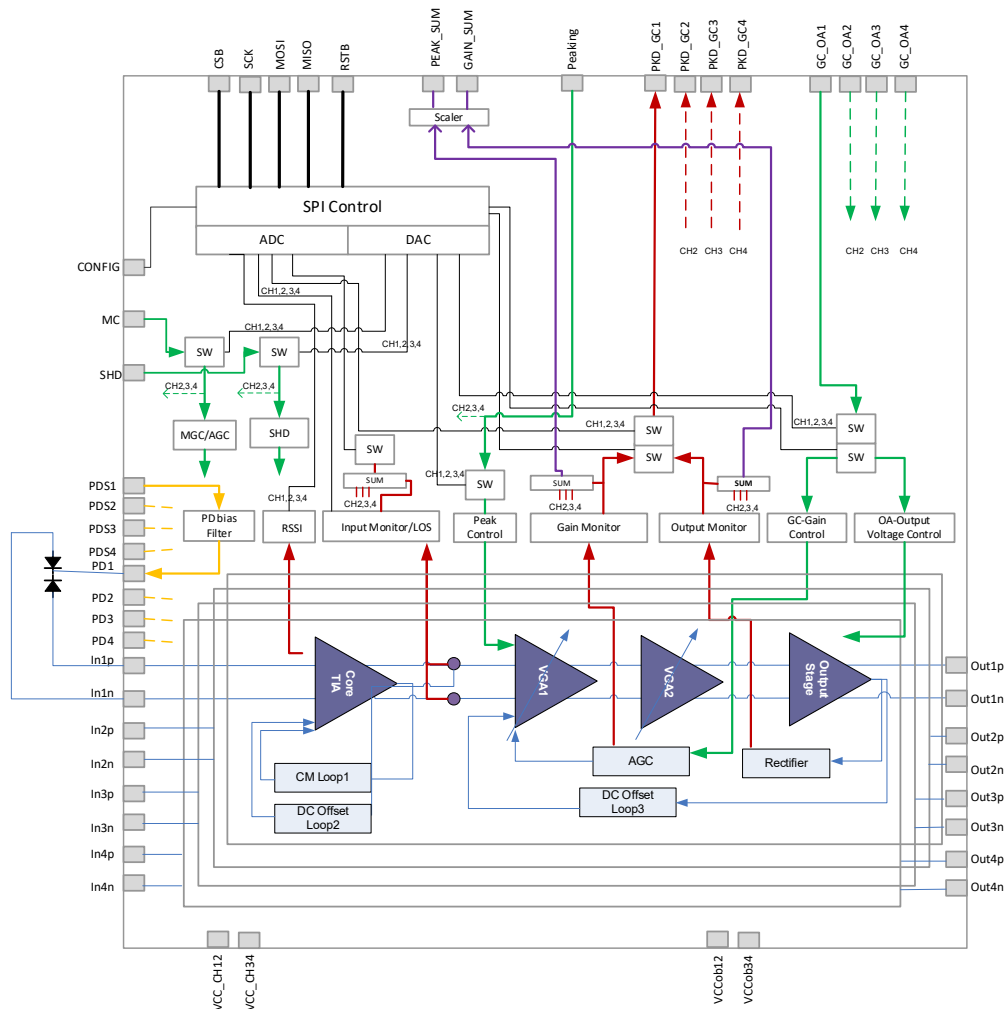


Figure 1. Typical or Block Diagram (or Key Selling Point Diagram)

IMPORTANT NOTICE AND DISCLAIMER

RENESAS ELECTRONICS CORPORATION AND ITS SUBSIDIARIES (“RENESAS”) PROVIDES TECHNICAL SPECIFICATIONS AND RELIABILITY DATA (INCLUDING DATASHEETS), DESIGN RESOURCES (INCLUDING REFERENCE DESIGNS), APPLICATION OR OTHER DESIGN ADVICE, WEB TOOLS, SAFETY INFORMATION, AND OTHER RESOURCES “AS IS” AND WITH ALL FAULTS, AND DISCLAIMS ALL WARRANTIES, EXPRESS OR IMPLIED, INCLUDING, WITHOUT LIMITATION, ANY IMPLIED WARRANTIES OF MERCHANTABILITY, FITNESS FOR A PARTICULAR PURPOSE, OR NON-INFRINGEMENT OF THIRD-PARTY INTELLECTUAL PROPERTY RIGHTS.

These resources are intended for developers who are designing with Renesas products. You are solely responsible for (1) selecting the appropriate products for your application, (2) designing, validating, and testing your application, and (3) ensuring your application meets applicable standards, and any other safety, security, or other requirements. These resources are subject to change without notice. Renesas grants you permission to use these resources only to develop an application that uses Renesas products. Other reproduction or use of these resources is strictly prohibited. No license is granted to any other Renesas intellectual property or to any third-party intellectual property. Renesas disclaims responsibility for, and you will fully indemnify Renesas and its representatives against, any claims, damages, costs, losses, or liabilities arising from your use of these resources. Renesas' products are provided only subject to Renesas' Terms and Conditions of Sale or other applicable terms agreed to in writing. No use of any Renesas resources expands or otherwise alters any applicable warranties or warranty disclaimers for these products.

(Disclaimer Rev.1.01)

Corporate Headquarters

TOYOSU FORESIA, 3-2-24 Toyosu,
Koto-ku, Tokyo 135-0061, Japan
www.renesas.com

Trademarks

Renesas and the Renesas logo are trademarks of Renesas Electronics Corporation. All trademarks and registered trademarks are the property of their respective owners.

Contact Information

For further information on a product, technology, the most up-to-date version of a document, or your nearest sales office, please visit www.renesas.com/contact-us/.